

# W51-A121B1-6 ✓ ACTIVE

TE Internal #: 1423673-2

Circuit Breakers, Thermal, Trip-Free - Switchable, Illuminated, Red,

Operating Voltage 125 VAC, Operating Voltage 50 VDC, 6A

Current Rating, 1 Pole

[View on TE.com >](#)



Relays, Contactors & Switches > Circuit Breakers



Circuit Breaker Type: **Thermal**

Circuit Function: **Trip-Free - Switchable**

Illuminated: **Yes**

Actuator Color: **Red**

Operating Voltage: **125 VAC**

## Features

### Product Type Features

Circuit Breaker Style	Angular Button
Actuator Type	Rocker
Terminal Configuration	6.35 [.25] Straight Quick Connect Tab
Circuit Breaker Type	Thermal
Illuminated	Yes

### Configuration Features

Panel Cutout Size	28.5 x 13.5 mm[1.122 x .531 in]
Circuit Function	Trip-Free - Switchable
Number of Poles	1

### Electrical Characteristics

Operating Voltage	50 VDC
Current Rating	6 A
Interrupt Capacity	1000A @ 250VAC/50VDC

### Body Features

Actuator Color	Red
----------------	-----

### Contact Features

Trip Time at 200%	4 – 40 seconds
-------------------	----------------

### Mechanical Attachment



Mounting Options	Snaps Into 1.122 x .531 (28.5 x 13.5) Panel Cutout
------------------	--

**Dimensions**

Panel Thickness (Recommended)	.75 – 3 mm [.03 – .118 in]
-------------------------------	----------------------------

**Identification Marking**

Stamped Marking Type	RESET/OFF Printed
----------------------	-------------------

**Product Compliance**

[For compliance documentation, visit the product page on TE.com>](#)

EU RoHS Directive 2011/65/EU	Compliant
EU ELV Directive 2000/53/EC	Not Compliant
China RoHS 2 Directive MIIT Order No 32, 2016	No Restricted Materials Above Threshold
EU REACH Regulation (EC) No. 1907/2006	Current ECHA Candidate List: JUNE 2023 (235) Candidate List Declared Against: JUL 2021 (219) SVHC > Threshold: Cadmium oxide (11.48% in Component) <b>Article Safe Usage Statements:</b> Use personal protective equipment as required. Do not eat, drink or smoke when using this product. Recycle if possible and dispose of the article by following all applicable governmental regulations relevant to your geographic location.
Halogen Content	Low Halogen - Br, Cl, F, I < 900 ppm per homogenous material. Also BFR/CFR/PVC Free
Solder Process Capability	Not applicable for solder process capability

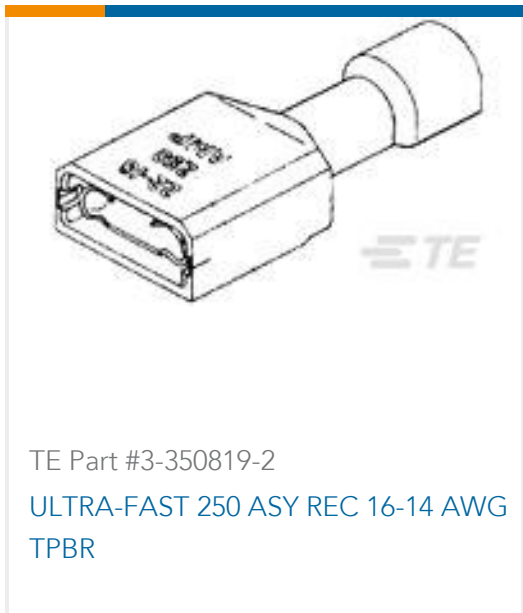
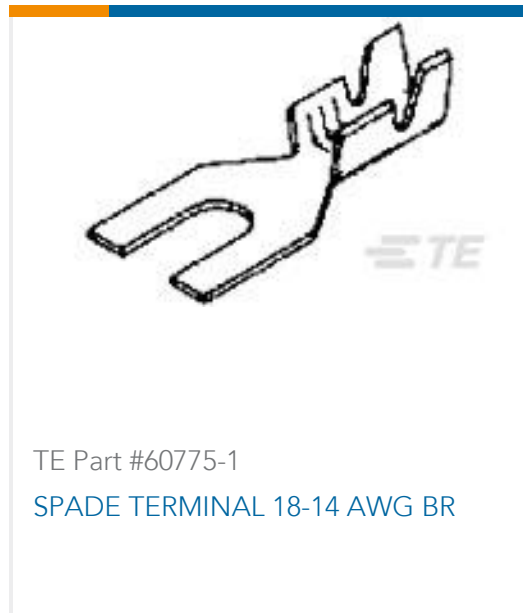
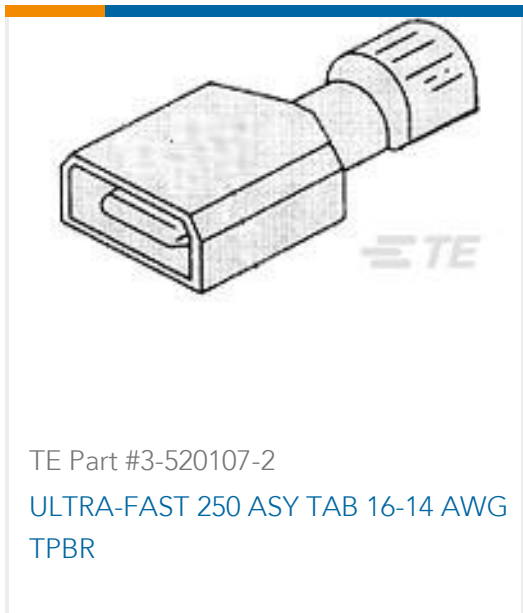
Product Compliance Disclaimer

This information is provided based on reasonable inquiry of our suppliers and represents our current actual knowledge based on the information they provided. This information is subject to change. The part numbers that TE has identified as EU RoHS compliant have a maximum concentration of 0.1% by weight in homogenous materials for lead, hexavalent chromium, mercury, PBB, PBDE, DBP, BBP, DEHP, DIBP, and 0.01% for cadmium, or qualify for an exemption to these limits as defined in the Annexes of Directive 2011/65/EU (RoHS2). Finished electrical and electronic equipment products will be CE marked as required by Directive 2011/65/EU. Components may not be CE marked. Additionally, the part numbers that TE has identified as EU ELV compliant have a maximum concentration of 0.1% by weight in homogenous materials for lead, hexavalent chromium, and mercury, and 0.01% for cadmium, or qualify for an exemption to these limits as defined in the Annexes of Directive 2000/53/EC (ELV). Regarding the REACH Regulation, the information TE provides on SVHC in articles for this part number is based on the latest European Chemicals Agency (ECHA) 'Guidance on requirements for substances in articles' posted at this URL: <https://echa.europa.eu/guidance-documents/guidance-on-reach>

**Compatible Parts**



## Customers Also Bought



## Documents

[CAD Files](#)

[3D PDF](#)

[3D](#)

[Customer View Model](#)

[ENG\\_CVM\\_CVM\\_1423673-2\\_E.2d\\_dxf.zip](#)

English

[Customer View Model](#)

[ENG\\_CVM\\_CVM\\_1423673-2\\_E.3d\\_igs.zip](#)

English



### Customer View Model

[ENG\\_CVM\\_CVM\\_1423673-2\\_E.3d\\_stp.zip](#)

English

By downloading the CAD file I accept and agree to the [Terms and Conditions](#) of use.

### Datasheets & Catalog Pages

[W51 Rocker-Actuated Thermal Circuit Breaker/Power Switch With Optional Indicator Lamp](#)

English

### Agency Approvals

[CCC Certificate](#)

English