



Relays, Contactors & Switches > Relays > Time Delay Relays



Type of Control: **Knob**

Time Delay Relay Input Voltage: **120 – 110 VAC**

Timing Range (Off-Time): **5 – 50 seconds**

Time Delay Relay Contact Current Rating: **10A@240VAC A**

Mode of Operation: **Off-Delay**

Features

Product Type Features

| | |
|--------------------------|--------------------------|
| Product Type | Relay |
| Relay Type | Time Delay |
| Product Category | Electromechanical Relays |
| Magnetic Blow-Out Device | Without |

Configuration Features

| | |
|------------------------|---------|
| Multiple Timing Ranges | Without |
|------------------------|---------|

Electrical Characteristics

| | |
|--------------------------------|----------------|
| Actuating System | AC |
| Time Delay Relay Input Voltage | 120 – 110 VAC |
| Timing Range (Off-Time) | 5 – 50 seconds |

Contact Features

| | |
|-----------------------------------------|-----------------------|
| Contact Arrangement | 4 Form C, 4PDT, 4 C/O |
| Type of Control | Knob |
| Time Delay Relay Contact Current Rating | 10A@240VAC A |

Termination Features

| | |
|------------------|-----------------|
| Termination Type | Screw Terminals |
|------------------|-----------------|

Mechanical Attachment

| | |
|--|--|
| | |
|--|--|



Time Delay Relay Mounting Type

Mounting Bracket

Dimensions

Dimensions (L x W x H) (Approximate)

114.8 x 65.3 x 71.9 mm[4.523 x 2.572 x 2.832 in]

Usage Conditions

Operating Temperature Range

-30 – 75 °C

Operation/Application

Mode of Operation

Off-Delay

Other

Repeatability (Max)

±5%

Product Compliance

For compliance documentation, visit the product page on [TE.com](https://www.te.com)>

EU RoHS Directive 2011/65/EU

Not Compliant

EU ELV Directive 2000/53/EC

Not Compliant

China RoHS 2 Directive MIIT Order No 32, 2016

Restricted Materials Above Threshold

EU REACH Regulation (EC) No. 1907/2006

Current ECHA Candidate List: JUNE 2023 (235)
 Candidate List Declared Against: JAN 2022 (223)
 SVHC > Threshold:
 Not Yet Reviewed

Halogen Content

Low Halogen - Br, Cl, F, I < 900 ppm per homogenous material. Also BFR/CFR/PVC Free

Solder Process Capability

Not applicable for solder process capability

Product Compliance Disclaimer

This information is provided based on reasonable inquiry of our suppliers and represents our current actual knowledge based on the information they provided. This information is subject to change. The part numbers that TE has identified as EU RoHS compliant have a maximum concentration of 0.1% by weight in homogenous materials for lead, hexavalent chromium, mercury, PBB, PBDE, DBP, BBP, DEHP, DIBP, and 0.01% for cadmium, or qualify for an exemption to these limits as defined in the Annexes of Directive 2011/65/EU (RoHS2). Finished electrical and electronic equipment products will be CE marked as required by Directive 2011/65/EU. Components may not be CE marked. Additionally, the part numbers that TE has identified as EU ELV compliant have a maximum concentration of 0.1% by weight in homogenous materials for lead, hexavalent chromium, and mercury, and 0.01% for cadmium, or qualify for an exemption to these limits as defined in the Annexes of Directive 2000/53/EC (ELV). Regarding the REACH Regulations, TE's information on SVHC in articles for this part number is still based on the European Chemical Agency (ECHA) 'Guidance on requirements for substances in articles' (Version: 2, April 2011), applying the 0.1% weight on weight concentration threshold at the finished product level. TE is aware of the European Court of Justice ruling of September 10th, 2015 also known as O5A (Once An Article Always An Article) stating that, in case of 'complex object', the threshold for a SVHC must be applied to both the product as a whole and simultaneously to each of the articles forming part of its composition. TE has evaluated this ruling based on the new ECHA "Guidance on requirements for substances in articles" (June 2017, version 4.0) and will be updating its statements accordingly.

Compatible Parts

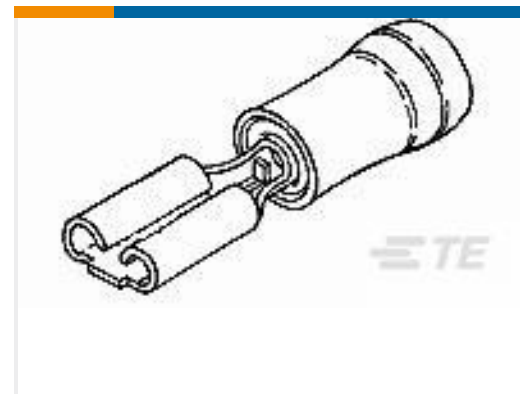


TE Part # 2-1423159-3
7012PC=RLY,STD,ON,2P,125VDC,15

Customers Also Bought



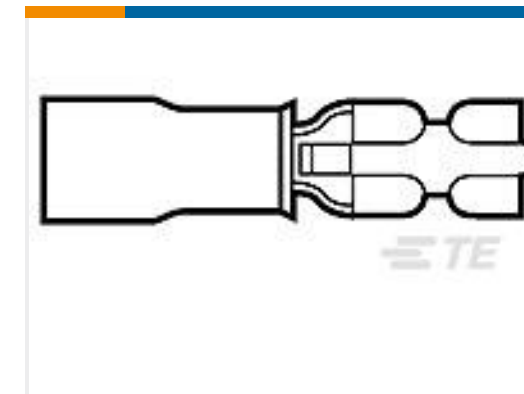
TE Part #208470-1
Circular Plastic Connector, CMC Series 1



TE Part #165565-1
2,8 PIDG FASTON REC



TE Part #DT04-6P-CL06
REC, 6P, BLK, E, FLANGE



TE Part #640929-1
RECEPT,PIDG FASTON 16-14 110



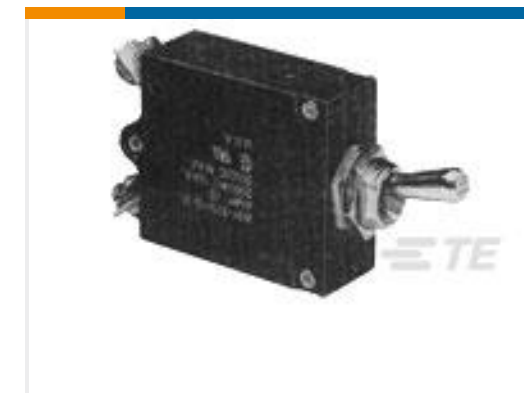
TE Part #1648127-1
235-0152-01100



TE Part #140814-2
250 FASTON,TAB,TPBR



TE Part #3-1393247-5
W31-X2M1G-20=W23/W31



TE Part #3-1393247-2
W31-X2M1G-10=W23/W31

Documents

Datasheets & Catalog Pages

[5-1773450-5_sec12_7000](#)

English

Instruction Sheets

[Instruction Sheet \(U.S.\)](#)

English