

1418844-1 ✓ ACTIVE

AMP | MCON Interconnection System

TE Internal #: 1418844-1

Automotive Terminals, Receptacle, Mating Tab Width 1.2 mm [.047 in], Tab Thickness .6 mm [.024 in], 23 – 22 AWG Wire Size, MCON Interconnection System

[View on TE.com >](#)



Terminals & Splices > Automotive Terminals > MCON Receptacle and Tab



Terminal Type: **Receptacle**

Mating Tab Width: **1.2 mm [.047 in]**

Mating Tab Thickness: **.6 mm [.024 in]**

Terminal Transmits: **0 – 24 A (Low Power)**

Wire Size: **23 – 22 AWG**

[All MCON Receptacle and Tab \(103\)](#)

## Features

### Product Type Features

Receptacle Style	180°
Sealable	Yes
Primary Locking Feature	Clean Body

### Body Features

Terminal Seal Type	Single Wire Seal (SWS)
--------------------	------------------------

### Contact Features

Contact Size	1.2mm
Contact Fabrication	Stamped & Formed
Crimp Type	F-Crimp
Terminal Type	Receptacle
Mating Tab Width	1.2 mm [.047 in]
Mating Tab Thickness	.6 mm [.024 in]
Interface Plating	Tin (Sn)

### Termination Features

Termination Method to Wire & Cable	Crimp
Product Terminates To	Wire



### Dimensions

Compatible Insulation Diameter Range	1.1 – 1.75 mm [.043 – .069 in]
Wire Size	.25 – .35 mm <sup>2</sup>
Wire Size Search	22 AWG, 23 AWG

### Usage Conditions

Insulation Option	Uninsulated
Operating Temperature (Max)	80 °C, 85 °C, 90 °C, 100 °C, 105 °C, 110 °C, 120 °C, 125 °C, 130 °C [176 °F][185 °F][194 °F][212 °F][221 °F][230 °F][248 °F][257 °F][266 °F]
Operating Temperature Range	-40 – 130 °C [-40 – 266 °F]

### Operation/Application

Compatible With Wire Base Material	Copper
------------------------------------	--------

### Packaging Features

Packaging Quantity	6500
Packaging Method	Reel

### Other

Terminal Transmits	0 – 24 A (Low Power)
--------------------	----------------------

### Product Compliance

[For compliance documentation, visit the product page on TE.com>](#)

EU RoHS Directive 2011/65/EU	Compliant
EU ELV Directive 2000/53/EC	Compliant
China RoHS 2 Directive MIIT Order No 32, 2016	No Restricted Materials Above Threshold
EU REACH Regulation (EC) No. 1907/2006	Current ECHA Candidate List: JUNE 2023 (235) Candidate List Declared Against: JUNE 2023 (235) Does not contain REACH SVHC
Halogen Content	Low Halogen - Br, Cl, F, I < 900 ppm per homogenous material. Also BFR/CFR/PVC Free
Solder Process Capability	Not applicable for solder process capability

Product Compliance Disclaimer



This information is provided based on reasonable inquiry of our suppliers and represents our current actual knowledge based on the information they provided. This information is subject to change. The part numbers that TE has identified as EU RoHS compliant have a maximum concentration of 0.1% by weight in homogenous materials for lead, hexavalent chromium, mercury, PBB, PBDE, DBP, BBP, DEHP, DIBP, and 0.01% for cadmium, or qualify for an exemption to these limits as defined in the Annexes of Directive 2011/65/EU (RoHS2). Finished electrical and electronic equipment products will be CE marked as required by Directive 2011/65/EU. Components may not be CE marked. Additionally, the part numbers that TE has identified as EU ELV compliant have a maximum concentration of 0.1% by weight in homogenous materials for lead, hexavalent chromium, and mercury, and 0.01% for cadmium, or qualify for an exemption to these limits as defined in the Annexes of Directive 2000/53/EC (ELV). Regarding the REACH Regulation, the information TE provides on SVHC in articles for this part number is based on the latest European Chemicals Agency (ECHA) 'Guidance on requirements for substances in articles' posted at this URL: <https://echa.europa.eu/guidance-documents/guidance-on-reach>

## Compatible Parts



TE Part # 1579007-8  
EXTRACTION TOOL



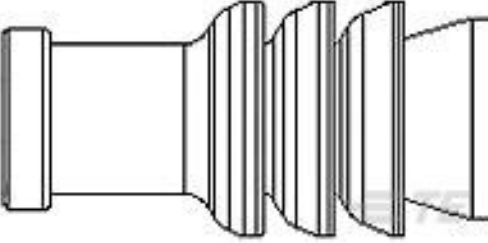
TE Part # 1924292-5  
6POS, MCON 1.2 CB REC 2p TL SEALED



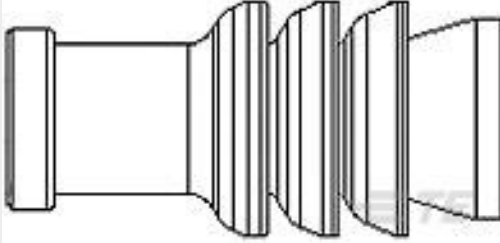
TE Part # 964972-1  
EINZELLEITERDICHUNG



TE Part # 2098582-1  
WIRE SEAL,RUBBER,SENSOR, RED



TE Part # 967067-1  
MQS SGL WIRE SEAL



TE Part # 967067-2  
MQS EINZELLEITDICH



TE Part # 2305570-1  
Strip Terminal Cutter-Side Feed-No Crimp



TE Part # 2141116-1  
MCON 1.2 CB TAB SWS SN



TE Part # 1-1579007-0  
EXTRACTION TOOL



TE Part # 8-1579008-4  
EXTRACTION TOOL



TE Part # 2138314-1  
36P SEALED HYBRID (32X 1.2, 4X)



TE Part # 1-2203773-3  
Plug Ass'y, 4P Sealed, Key C, CPA



TE Part # 1-2203769-1  
2POS, MCON 1.2 CB REC 1p TL SEALED



TE Part # 1-2203771-1  
3POS, MCON 1.2 CB REC 1p TL SEALED



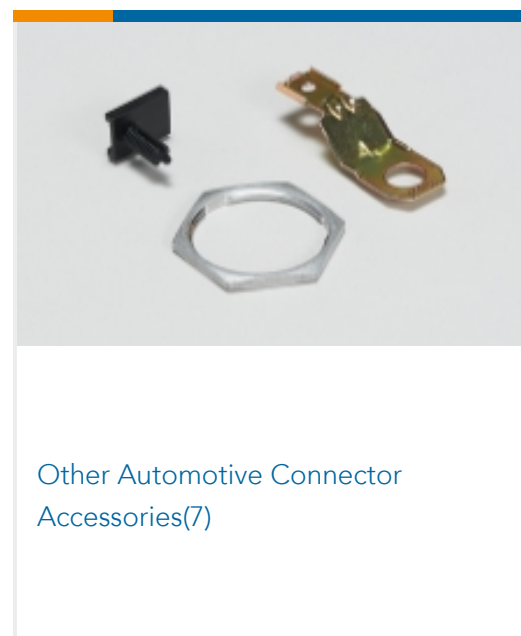
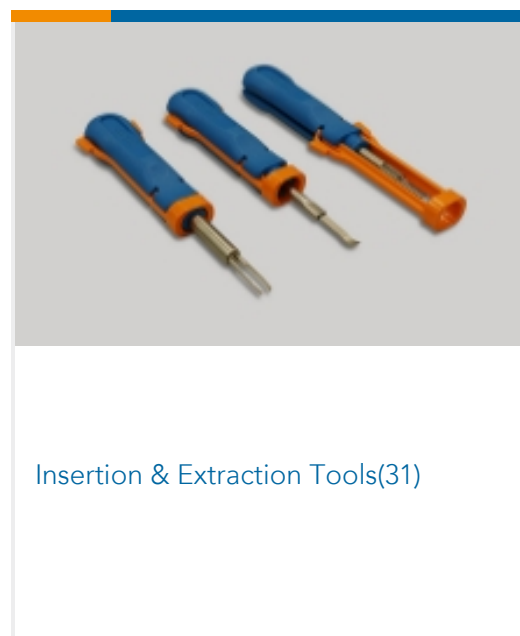
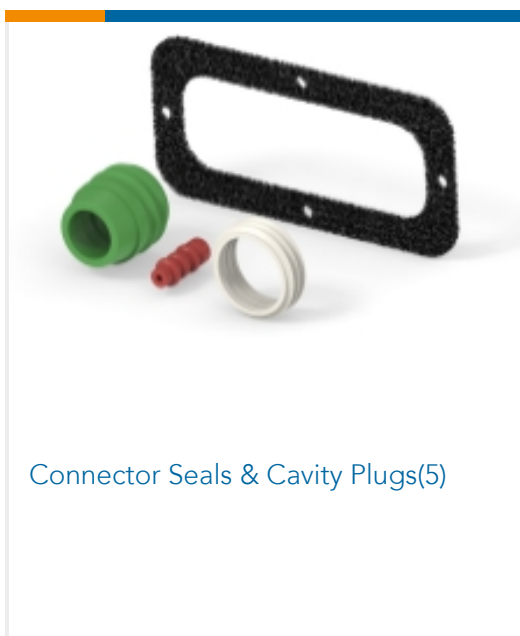
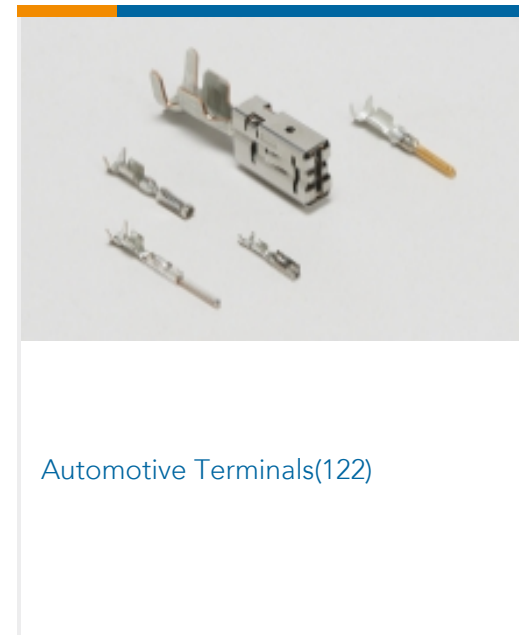
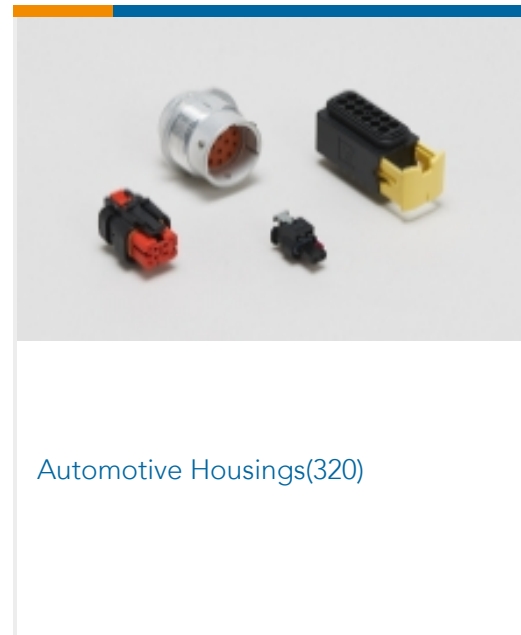
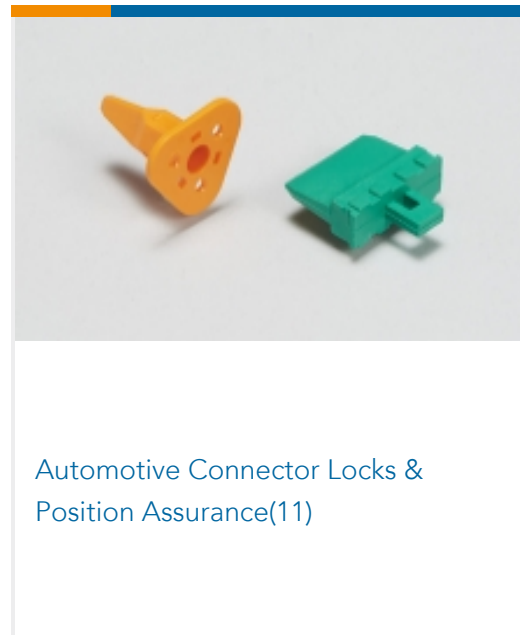
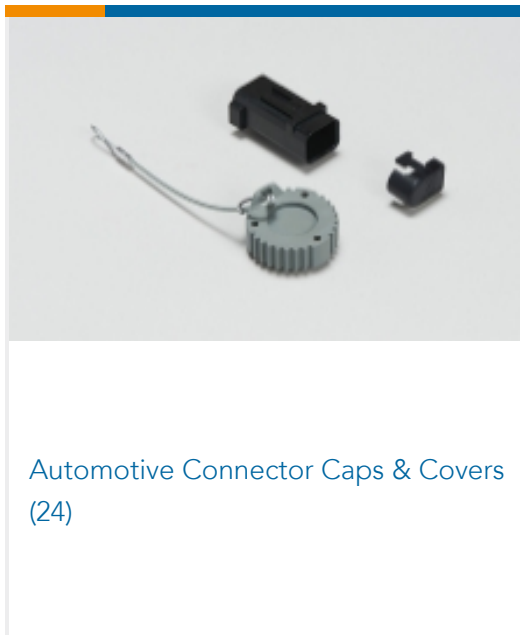
TE Part # 1-2203771-2  
Plug Ass'y, 3P Sealed, Key B, CPA



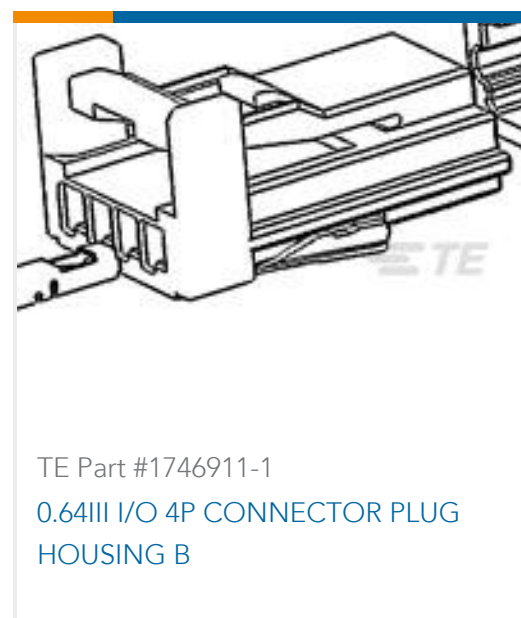
TE Part # 2297907-1  
12 WAY IN-LINE REC PLUG ASSY



## Also in the Series | MCON Interconnection System



## Customers Also Bought





## Documents

### Product Drawings

#### MCON 1.2 CB REC SWS SN

German

### CAD Files

#### Customer View Model

[ENG\\_CVM\\_CVM\\_1418844-1\\_C.2d\\_dxf.zip](#)

English

#### 3D PDF

3D

#### Customer View Model

[ENG\\_CVM\\_CVM\\_1418844-1\\_C.3d\\_igs.zip](#)

English

#### Customer View Model

[ENG\\_CVM\\_CVM\\_1418844-1\\_C.3d\\_stp.zip](#)

English

By downloading the CAD file I accept and agree to the [Terms and Conditions](#) of use.

### Datasheets & Catalog Pages

#### MCON Interconnection System

English

### Product Specifications

#### Application Specification

English

#### Application Specification

English