

1418776-1 ✓ ACTIVE

AMP | MQS

TE Internal #: 1418776-1

Automotive Connector Locks & Position Assurance, TPA (Terminal Position Assurance), Black, PBT GF, -40 – 120 °C [-40 – 248 °F], MQS

[View on TE.com >](#)



Connectors > Automotive Connectors > Automotive Connector Accessories > Automotive Connector Locks & Position Assurance



Connector & Contact Retention Accessory Type: **TPA (Terminal Position Assurance)**

Primary Product Color: **Black**

Primary Product Material: **PBT GF**

Operating Temperature Range: **-40 – 120 °C [-40 – 248 °F]**

Features

Product Type Features

Connector & Contact Retention Accessory Type	TPA (Terminal Position Assurance)
--	-----------------------------------

Body Features

Primary Product Color	Black
Primary Product Material	PBT GF

Usage Conditions

Operating Temperature Range	-40 – 120 °C[-40 – 248 °F]
-----------------------------	----------------------------

Other

Serviceable	Yes
-------------	-----

Product Compliance

[For compliance documentation, visit the product page on TE.com>](#)

EU RoHS Directive 2011/65/EU	Compliant
EU ELV Directive 2000/53/EC	Compliant
China RoHS 2 Directive MIIT Order No 32, 2016	No Restricted Materials Above Threshold
EU REACH Regulation (EC) No. 1907/2006	Current ECHA Candidate List: JUNE 2023 (235) Candidate List Declared Against: JUNE 2023 (235) Does not contain REACH SVHC
Halogen Content	Low Halogen - Br, Cl, F, I < 900 ppm per homogenous material. Also BFR/CFR/PVC Free

Solder Process Capability

Not applicable for solder process capability


Product Compliance Disclaimer

This information is provided based on reasonable inquiry of our suppliers and represents our current actual knowledge based on the information they provided. This information is subject to change. The part numbers that TE has identified as EU RoHS compliant have a maximum concentration of 0.1% by weight in homogenous materials for lead, hexavalent chromium, mercury, PBB, PBDE, DBP, BBP, DEHP, DIBP, and 0.01% for cadmium, or qualify for an exemption to these limits as defined in the Annexes of Directive 2011/65/EU (RoHS2). Finished electrical and electronic equipment products will be CE marked as required by Directive 2011/65/EU. Components may not be CE marked. Additionally, the part numbers that TE has identified as EU ELV compliant have a maximum concentration of 0.1% by weight in homogenous materials for lead, hexavalent chromium, and mercury, and 0.01% for cadmium, or qualify for an exemption to these limits as defined in the Annexes of Directive 2000/53/EC (ELV). Regarding the REACH Regulation, the information TE provides on SVHC in articles for this part number is based on the latest European Chemicals Agency (ECHA) 'Guidance on requirements for substances in articles' posted at this URL: <https://echa.europa.eu/guidance-documents/guidance-on-reach>

Compatible Parts



TE Part # CAT-M8793-CH8172
MQS, CONNECTOR HOUSING



TE Part # 2294957-1
GEELY NL-3 AIRBAG CBAL ASSEMBLY

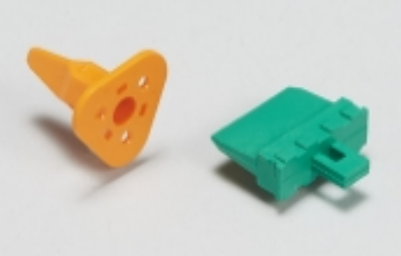
Also in the Series | MQS




Automotive Connector Caps & Covers (138)




Automotive Connector EMC Shielding (3)




Automotive Connector Locks & Position Assurance(30)




Automotive Housings(507)




Automotive Terminals(104)



Connector Seals & Cavity Plugs(27)



Insertion & Extraction Tools(42)



Other Automotive Connector Accessories(14)

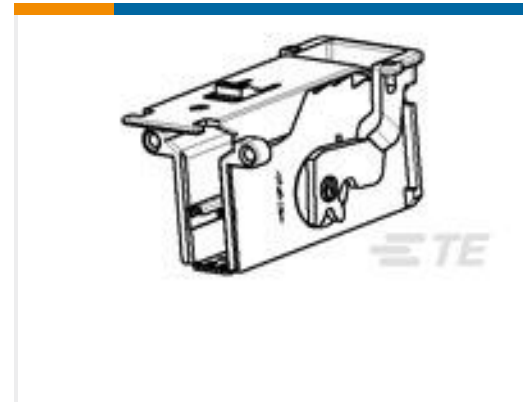


PCB Headers & Receptacles(213)

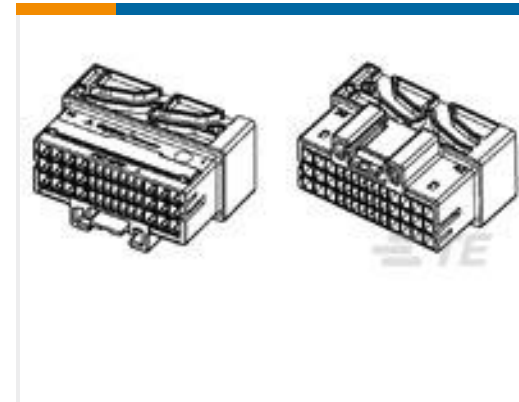
Customers Also Bought



TE Part #1420000-1
MQS, CONNECTOR HOUSING



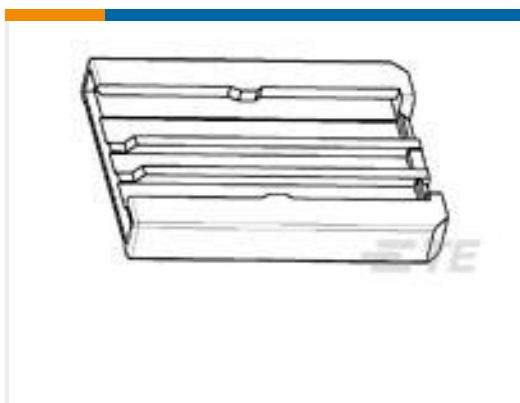
TE Part #1534222-2
MQS ABDECKKAPP2X16P



TE Part #1-1743095-8
LIF HYB 42P CAP ASSY BLU



TE Part #638245-1
RECEPTACLE ASSY,4P SEALED,JPT



TE Part #1420001-1
MQS VERSCHL.PLATTE



TE Part #1-1355181-2
DUOPLUG2,5GEH 2P16X



TE Part #1-2236269-2
24POS, MIXED,REC HSG,
20GENYMCP,ASSY,CODB



TE Part #1-2355507-1
3POS,MCON 1.2,REC HSG ASSY,SLD,
COD A



TE Part #2208304-1
8POS MQS REC

Documents

[Product Drawings](#)
[COVER,MQS,5 POS.](#)

English

[CAD Files](#)

[3D PDF](#)

3D

[Customer View Model](#)

[ENG_CVM_CVM_1418776-1_A.2d_dxf.zip](#)



English

Customer View Model

[ENG_CVM_CVM_1418776-1_A.3d_igs.zip](#)

English

Customer View Model

[ENG_CVM_CVM_1418776-1_A.3d_stp.zip](#)

English

By downloading the CAD file I accept and agree to the [Terms and Conditions](#) of use.

Product Specifications

[Application Specification](#)

English