

1415535-7 ✓ ACTIVE

SCHRACK | SCHRACK Relay Package PT

TE Internal #: 1415535-7

Power Relays, Industrial Panel Plug-In, Monostable, DC, 750 mW

Coil Power Rating DC, 192 Ω Coil Resistance, SCHRACK Relay

Package PT

[View on TE.com >](#)



Relays, Contactors & Switches > Relays > Power Relays



Power Relay Type: **Industrial Panel Plug-In**

Coil Magnetic System: **Monostable, DC**

Coil Power Rating DC: **750 mW**

Coil Resistance: **192 Ω**

Coil Special Features: **Electrical Indicator, LED**

Features

Product Type Features

| | |
|------------------|--------------------------|
| Power Relay Type | Industrial Panel Plug-In |
|------------------|--------------------------|

Electrical Characteristics

| | |
|--|---------------------------|
| Insulation Initial Dielectric Between Coil & Contact Class | 1500 – 2500 V |
| Insulation Initial Dielectric Between Contacts & Coil | 2500 Vrms |
| Actuating System | DC |
| Insulation Initial Dielectric Between Open Contacts | 2500 Vrms |
| Contact Limiting Making Current | 12 A |
| Contact Limiting Short-Time Current | 6 A |
| Contact Limiting Continuous Current | 6 A |
| Insulation Creepage Class | 3 – 5.5 mm |
| Coil Power Rating Class | 600 – 800 mW |
| Insulation Initial Dielectric Between Adjacent Contacts | 2000 Vrms |
| Insulation Creepage Between Contact & Coil | 4 mm [.157 in] |
| Contact Limiting Breaking Current | 12 A |
| Coil Magnetic System | Monostable, DC |
| Coil Power Rating DC | 750 mW |
| Coil Resistance | 192 Ω |
| Coil Special Features | Electrical Indicator, LED |



| | |
|---------------------------------|---------|
| Coil Voltage Rating | 12 VDC |
| Contact Switching Voltage (Max) | 240 VAC |
| Contact Voltage Rating | 240 VAC |

Body Features

| | |
|----------------|----------------|
| Product Weight | 90 g[3.175 oz] |
|----------------|----------------|

Contact Features

| | |
|------------------------------|-----------------|
| Contact Arrangement | 4 Form C (CO) |
| Contact Current Class | 5 – 10 A, 16 A |
| Contact Current Rating (Max) | 6 A |
| Contact Material | AgNi90/10 |
| Contact Number of Poles | 4 |
| Relay Terminal Type | Screw Terminals |

Mechanical Attachment

| | |
|---------------------|----------|
| Relay Mounting Type | DIN Rail |
|---------------------|----------|

Dimensions

| | |
|---|-------------------|
| Insulation Clearance Class | 2.5 – 4 mm |
| Insulation Clearance Between Contact & Coil | 4 mm[.157 in] |
| Width Class (Mechanical) | 25 – 30 mm |
| Product Width | 27.2 mm[1.071 in] |
| Product Length | 77 mm[3.031 in] |
| Product Height | 78.3 mm[3.083 in] |

Usage Conditions

| | |
|---|---------------|
| Environmental Ambient Temperature Class | 50 – 70 °C |
| Environmental Ambient Temperature (Max) | 70 °C[158 °F] |
| Operating Temperature Range | -40 – 70 °C |

Packaging Features

| | |
|------------------|--------|
| Packaging Method | Carton |
|------------------|--------|

Product Compliance

[For compliance documentation, visit the product page on TE.com>](#)

| | |
|------------------------------|-----------|
| EU RoHS Directive 2011/65/EU | Compliant |
| EU ELV Directive 2000/53/EC | Compliant |



| | |
|---|---|
| China RoHS 2 Directive MIIT Order No 32, 2016 | No Restricted Materials Above Threshold |
| EU REACH Regulation (EC) No. 1907/2006 | Current ECHA Candidate List: JUNE 2023 (235) Candidate List Declared Against: JUNE 2022 (224) Does not contain REACH SVHC |
| Halogen Content | Not Low Halogen - contains Br or Cl > 900 ppm. |
| Solder Process Capability | Not applicable for solder process capability |

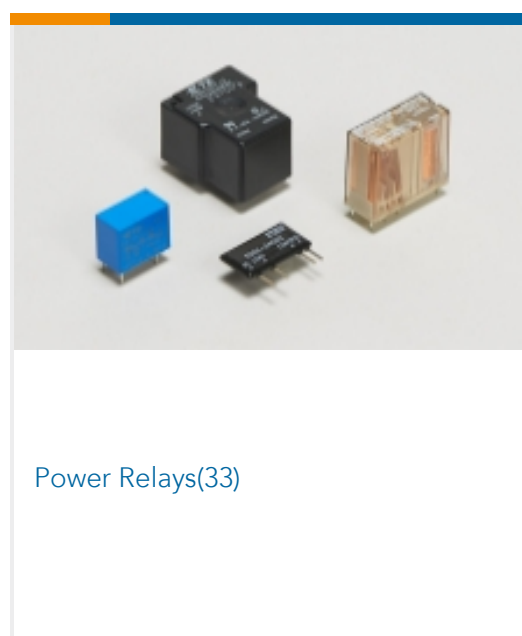
Product Compliance Disclaimer

This information is provided based on reasonable inquiry of our suppliers and represents our current actual knowledge based on the information they provided. This information is subject to change. The part numbers that TE has identified as EU RoHS compliant have a maximum concentration of 0.1% by weight in homogenous materials for lead, hexavalent chromium, mercury, PBB, PBDE, DBP, BBP, DEHP, DIBP, and 0.01% for cadmium, or qualify for an exemption to these limits as defined in the Annexes of Directive 2011/65/EU (RoHS2). Finished electrical and electronic equipment products will be CE marked as required by Directive 2011/65/EU. Components may not be CE marked. Additionally, the part numbers that TE has identified as EU ELV compliant have a maximum concentration of 0.1% by weight in homogenous materials for lead, hexavalent chromium, and mercury, and 0.01% for cadmium, or qualify for an exemption to these limits as defined in the Annexes of Directive 2000/53/EC (ELV). Regarding the REACH Regulation, the information TE provides on SVHC in articles for this part number is based on the latest European Chemicals Agency (ECHA) 'Guidance on requirements for substances in articles' posted at this URL: <https://echa.europa.eu/guidance-documents/guidance-on-reach>

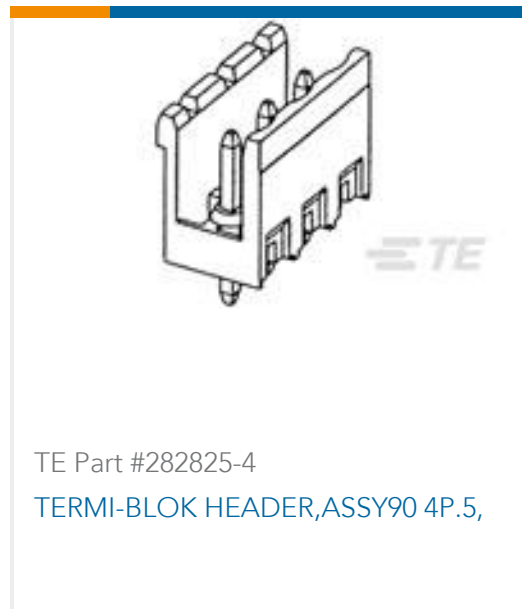
Compatible Parts



Also in the Series | SCHRACK Relay Package PT



Customers Also Bought



Documents

CAD Files

3D PDF

3D

Customer View Model

[ENG_CVM_CVM_1415535-7_A.2d_dxf.zip](#)

English

Customer View Model

[ENG_CVM_CVM_1415535-7_A.3d_igs.zip](#)

English

Customer View Model

[ENG_CVM_CVM_1415535-7_A.3d_stp.zip](#)

English

By downloading the CAD file I accept and agree to the [Terms and Conditions](#) of use.

Datasheets & Catalog Pages

[Relay Package Package PT](#)

English

Product Specifications



Definitions General Purpose Relays

English

Agency Approvals

VDE Certificate

English