



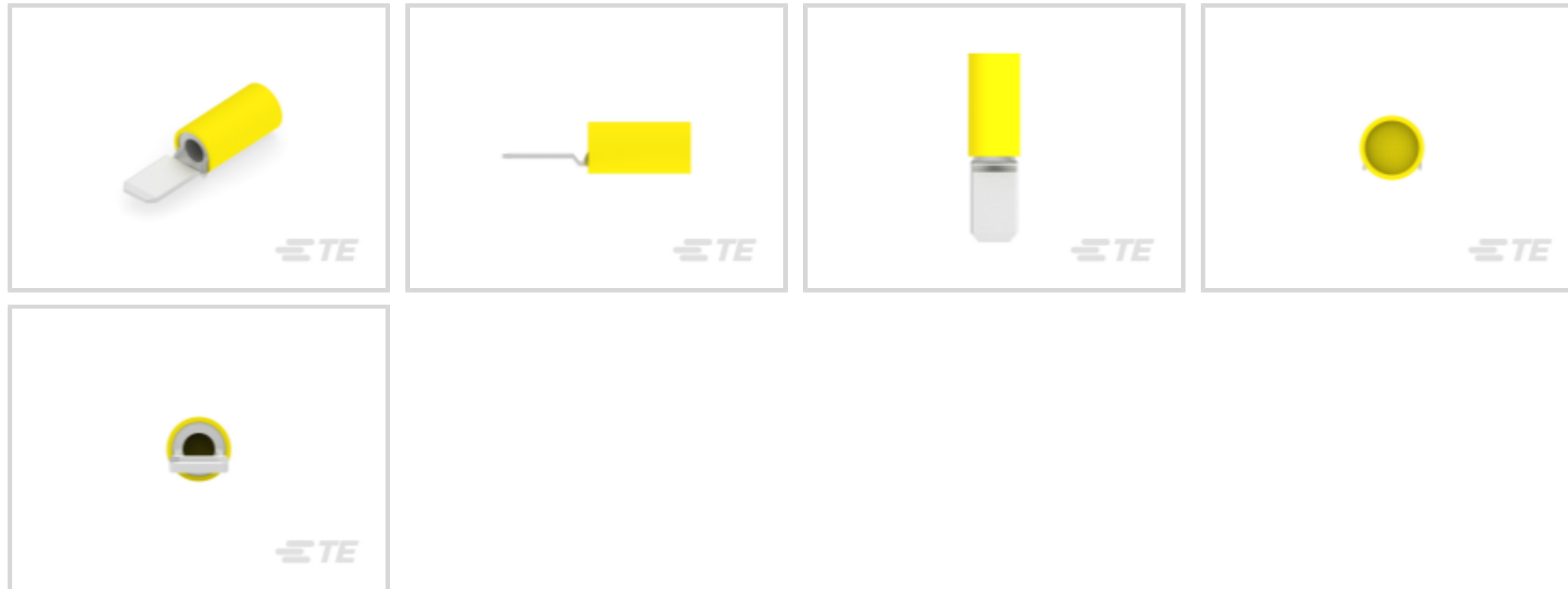
FASTON

TE Internal #: 141085-2

Quick Disconnects, Tab, 11 – 10 AWG Wire Size, 4 – 6 mm² Wire Size, 8226 – 12066 CMA Wire Size, Mating Tab Width 6.35 mm [.25 in], Straight, Brass

[View on TE.com >](#)

Terminals & Splices > Quick Disconnects



Quick Disconnect Terminal Type: **Tab**

Wire Size: **8226 – 12066 CMA**

Mating Tab Width: **6.35 mm [.25 in]**

Features

Configuration Features

Compatible With Wire & Cable Type	Discrete Wire
-----------------------------------	---------------

Body Features

Insulation Material	Nylon
---------------------	-------

Contact Features

Quick Disconnect Terminal Type	Tab
Mating Tab Width	6.35 mm [.25 in]
Mating Tab Thickness	.81 mm [.032 in]
Terminal Orientation	Straight
Contact Base Material	Brass
Terminal Plating Material	Tin
Crimp Type	Compression
Barrel Type	Closed

Termination Features

Product Terminates To	Wire & Cable
-----------------------	--------------

Mechanical Attachment



Wire Insulation Support	Without
-------------------------	---------

Dimensions

Product Length	28 mm[1.102 in]
Compatible Insulation Diameter Range	5.7 mm[.224 in]
Wire Size	8226 – 12066 CMA

Usage Conditions

Insulation Option	Partially Insulated
Operating Temperature Range	105 °C[221 °F]

Packaging Features

Packaging Quantity	500
Packaging Method	Package

Other

Barrel Color	Yellow
--------------	--------

Product Compliance

[For compliance documentation, visit the product page on TE.com>](#)

EU RoHS Directive 2011/65/EU	Compliant
EU ELV Directive 2000/53/EC	Compliant
China RoHS 2 Directive MIIT Order No 32, 2016	No Restricted Materials Above Threshold
EU REACH Regulation (EC) No. 1907/2006	Current ECHA Candidate List: JUNE 2023 (235) Candidate List Declared Against: JUNE 2023 (235) Does not contain REACH SVHC
Halogen Content	Low Halogen - Br, Cl, F, I < 900 ppm per homogenous material. Also BFR/CFR/PVC Free
Solder Process Capability	Not applicable for solder process capability

Product Compliance Disclaimer

This information is provided based on reasonable inquiry of our suppliers and represents our current actual knowledge based on the information they provided. This information is subject to change. The part numbers that TE has identified as EU RoHS compliant have a maximum concentration of 0.1% by weight in homogenous materials for lead, hexavalent chromium, mercury, PBB, PBDE, DBP, BBP, DEHP, DIBP, and 0.01% for cadmium, or qualify for an exemption to these limits as defined in the Annexes of Directive 2011/65/EU (RoHS2). Finished electrical and electronic equipment products will be CE marked as required by Directive 2011/65/EU. Components may not be CE marked. Additionally, the part numbers that TE has identified as EU ELV compliant have a maximum concentration of 0.1% by weight in homogenous materials for lead, hexavalent chromium, and mercury, and 0.01% for cadmium, or qualify for an exemption to these limits as defined in the Annexes of Directive 2000/53/EC (ELV). Regarding the REACH Regulation, the information TE provides on SVHC in articles for this part number is based on the latest European Chemicals Agency (ECHA) 'Guidance on

requirements for substances in articles' posted at this URL: <https://echa.europa.eu/guidance-documents/guidance-on-reach>

Compatible Parts



TE Part # 2-1377175-5
SMP 0-0141085-2



TE Part # 90276-2
HHHT PIDG FASTON 12-10 ASSY

TE Part # 2392022-2
BLUE BATTERY DAHT KIT 220V (47387-7)

TE Part # 2392022-1
BLUE BATTERY DAHT KIT 110V (47387-7)

Customers Also Bought



TE Part #8-323994-3
PIDG 26-22 BUTT SM-PACK-25




TE Part #207304-1
24 POS SQ GRID METRIMATE-PLUG



TE Part #34855
TERMINAL,PG R 12-10 1/4



TE Part #35247
TERMINAL,SOLIS R 8 1/4



TE Part #323698
SPLICE,SOLIS BUTT HT 12-10



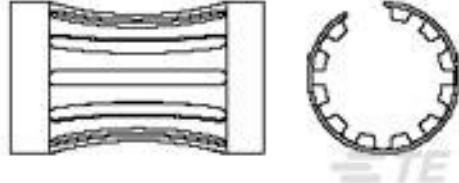
TE Part #4-745130-5
SHLDING FERRULE,PLTD,BULK PKG



TE Part #5053184028
RNF-100-3/8-9-SP



TE Part #165142
PIDG WIRE PIN 22-16



TE Part #7-192041-4
LAIV 0.15mm(.006) GOLD



TE Part #ESB202N00330500000
915 PLUG

Documents

Product Drawings

TERMINAL TAB FASTON PIDG 6,35

English



CAD Files

3D PDF

English

Customer View Model

[ENG_CVM_141085-2_B.3d_igs.zip](#)

English

Customer View Model

[ENG_CVM_141085-2_B.3d_stp.zip](#)

English

Customer View Model

[ENG_CVM_141085-2_B.2d_dxf.zip](#)

English

3D PDF

3D

Customer View Model

[ENG_CVM_CVM_141085-2_E.2d_dxf.zip](#)

English

Customer View Model

[ENG_CVM_CVM_141085-2_E.3d_igs.zip](#)

English

Customer View Model

[ENG_CVM_CVM_141085-2_E.3d_stp.zip](#)

English

By downloading the CAD file I accept and agree to the [Terms and Conditions](#) of use.

Datasheets & Catalog Pages

[PIDG TERMINALS & SPLICES Quick Reference Guide](#)

English

Product Specifications

[Product Specification](#)

English

Product Environmental Compliance

[Product Compliance](#)

English

[Product Compliance](#)

English