



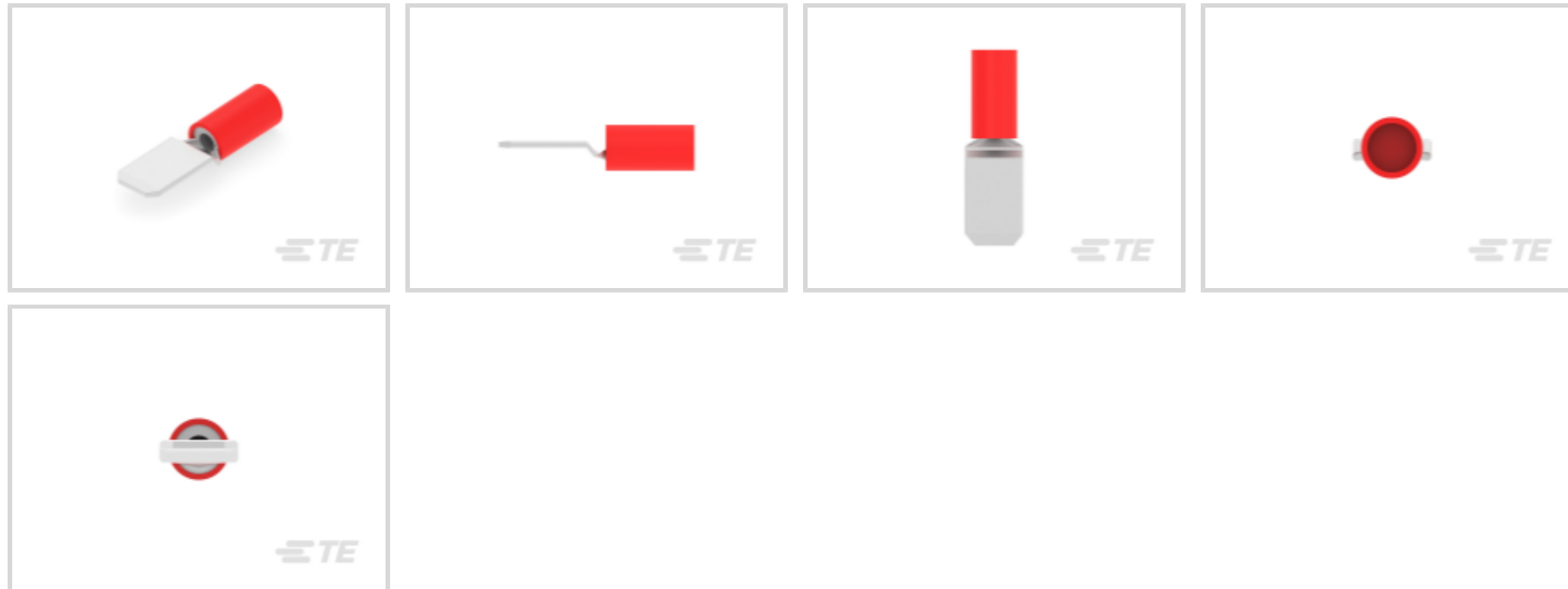
**FASTON**

TE Internal #: 140896-2

Quick Disconnects, Tab, 20 – 17 AWG Wire Size, .5 – 1 mm<sup>2</sup> Wire Size, 992 – 1980 CMA Wire Size, Mating Tab Width 6.35 mm [.25 in], Straight, Brass

[View on TE.com >](#)

Terminals & Splices > Quick Disconnects



Quick Disconnect Terminal Type: **Tab**

Wire Size: **992 – 1980 CMA**

Mating Tab Width: **6.35 mm [.25 in]**

**Features**

**Configuration Features**

Connection Capacity	Single
Compatible With Wire & Cable Type	Discrete Wire

**Body Features**

Insulation Material	Nylon
---------------------	-------

**Contact Features**

Quick Disconnect Terminal Type	Tab
Mating Tab Width	6.35 mm [.25 in]
Mating Tab Thickness	.81 mm [.032 in]
Terminal Orientation	Straight
Contact Base Material	Brass
Terminal Plating Material	Tin
Crimp Type	Compression
Barrel Type	Closed

**Termination Features**

Product Terminates To	Wire & Cable
-----------------------	--------------



### Mechanical Attachment

Wire Insulation Support	Without
-------------------------	---------

### Dimensions

Product Length	23.5 mm[.925 in]
Compatible Insulation Diameter Range	3.3 mm[.13 in]
Wire Size	992 – 1980 CMA

### Usage Conditions

Insulation Option	Partially Insulated
Operating Temperature Range	105 °C[221 °F]

### Packaging Features

Packaging Quantity	1000
Packaging Method	Box

### Other

Barrel Color	Red
--------------	-----

### Product Compliance

[For compliance documentation, visit the product page on TE.com>](#)

EU RoHS Directive 2011/65/EU	Compliant
EU ELV Directive 2000/53/EC	Compliant
China RoHS 2 Directive MIIT Order No 32, 2016	No Restricted Materials Above Threshold
EU REACH Regulation (EC) No. 1907/2006	Current ECHA Candidate List: JUNE 2023 (235) Candidate List Declared Against: JUNE 2023 (235) Does not contain REACH SVHC
Halogen Content	Low Halogen - Br, Cl, F, I < 900 ppm per homogenous material. Also BFR/CFR/PVC Free
Solder Process Capability	Not applicable for solder process capability

#### Product Compliance Disclaimer

This information is provided based on reasonable inquiry of our suppliers and represents our current actual knowledge based on the information they provided. This information is subject to change. The part numbers that TE has identified as EU RoHS compliant have a maximum concentration of 0.1% by weight in homogenous materials for lead, hexavalent chromium, mercury, PBB, PBDE, DBP, BBP, DEHP, DIBP, and 0.01% for cadmium, or qualify for an exemption to these limits as defined in the Annexes of Directive 2011/65/EU (RoHS2). Finished electrical and electronic equipment products will be CE marked as required by Directive 2011/65/EU. Components may not be CE marked. Additionally, the part numbers that TE has identified as EU ELV compliant have a maximum concentration of 0.1% by weight in homogenous materials for lead, hexavalent chromium, and mercury, and 0.01% for cadmium, or qualify for an exemption to these limits

as defined in the Annexes of Directive 2000/53/EC (ELV). Regarding the REACH Regulation, the information TE provides on SVHC in articles for this part number is based on the latest European Chemicals Agency (ECHA) 'Guidance on requirements for substances in articles' posted at this URL: <https://echa.europa.eu/guidance-documents/guidance-on-reach>

## Compatible Parts



REPRESENTATION ONLY

TE Part # 47386-4  
DAHT PG PIDG 26-16 ASSY



REPRESENTATION ONLY

TE Part # 90035-3  
DAHT PIDG FASTON 22-18 ASSY



TE Part # 2-1377175-3  
SMP 0-0140896-2

TE Part # 2392021-2  
RED BATTERY DAHT KIT 220V (47689-4)

TE Part # 2392021-1  
RED BATTERY DAHT KIT 110V (47689-4)

## Customers Also Bought



TE Part #392611-000  
55A1841-24-0/2/5/9-3



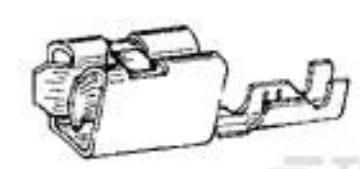
TE Part #962932-1  
TIMER, RECEPTACLE AND TAB



TE Part #E21385-000  
B-155-06



TE Part #3823093019  
44A1131-22-0/2/9-9



TE Part #1-160760-2  
110 FASTON,REC.,30-26 AWG,PTPBR

TE Part #04ZZXLF015  
/HYB/2x22+/SH/PVC/UL2549/GY/-/

TE Part #0068670010  
TRSA-1019/G/1/MINUS

TE Part #0068670009  
TRSA-1019/G/1/PLUS

## Documents

### Product Drawings

TERMINAL TAB FASTON PIDG 6,35

French



---

## CAD Files

### 3D PDF

3D

#### Customer View Model

[ENG\\_CVM\\_CVM\\_140896-2\\_L.2d\\_dxf.zip](#)

English

#### Customer View Model

[ENG\\_CVM\\_CVM\\_140896-2\\_L.3d\\_igs.zip](#)

English

#### Customer View Model

[ENG\\_CVM\\_CVM\\_140896-2\\_L.3d\\_stp.zip](#)

English

### 3D PDF

English

#### Customer View Model

[ENG\\_CVM\\_140896-2\\_E.3d\\_igs.zip](#)

English

#### Customer View Model

[ENG\\_CVM\\_140896-2\\_E.3d\\_stp.zip](#)

English

#### Customer View Model

[ENG\\_CVM\\_140896-2\\_E.2d\\_dxf.zip](#)

English

By downloading the CAD file I accept and agree to the [Terms and Conditions](#) of use.

---

## Datasheets & Catalog Pages

### PIDG TERMINALS & SPLICES Quick Reference Guide

English

---

## Product Specifications

### Product Specification

English

---

## Product Environmental Compliance

[MD\\_140896-2\\_0313201893\\_dmtec](#)

English

[MD\\_140896-2\\_0313201893\\_dmtec](#)

English