



AMP SMA

TE Internal #: 1408349-1

QMA RF Interface, Jack, 50 Ω, RG 402 Semi-Rigid, Latching Quick Lock, 6 GHz Operating Frequency, Cable-to-Board, 1 Position, Wire & Cable, AMP SMA

[View on TE.com >](#)

Connectors > RF Connectors > Coax Connectors



RF Interface: **QMA**

RF Connector Style: **Jack**

RF Connector Mated Outer Diameter (Approximate): **7.62 mm [.3 in]**

Impedance: **50 Ω**

Compatible With RF Cable Type: **RG 402 Semi-Rigid**

Features

Product Type Features

Connector Product Type	Connector Assembly
RF Interface	QMA
RF Connector Style	Jack
Compatible With RF Cable Type	RG 402 Semi-Rigid
Connector System	Cable-to-Board
Sealable	No
Connector & Contact Terminates To	Wire & Cable

Configuration Features

Number of Positions	1
Number of Coaxial Contacts	1

Electrical Characteristics

Impedance	50 Ω
-----------	------

Body Features

Cable Connector Orientation	Straight
-----------------------------	----------



Body Material	Brass
---------------	-------

Body Plating Material	Gold
-----------------------	------

Contact Features

RF Connector Center Contact Underplating Material	Nickel
---------------------------------------------------	--------

Crimp Type	Hex
------------	-----

RF Connector Center Contact Plating Material	Gold
----------------------------------------------	------

RF Connector Center Contact Material	Beryllium Copper
--------------------------------------	------------------

Termination Features

Termination Method to Wire & Cable	Solder
------------------------------------	--------

Mechanical Attachment

Panel Mount Feature Type	Washer & Nut
--------------------------	--------------

RF Connector Coupling Mechanism	Latching Quick Lock
---------------------------------	---------------------

Connector Mounting Type	Panel Mount
-------------------------	-------------

RF Contact Captivation Method	Mechanical
-------------------------------	------------

Detent	Without
--------	---------

Dimensions

Product Length	23.06 mm[.908 in]
----------------	-------------------

RF Connector Mated Outer Diameter (Approximate)	7.62 mm[.3 in]
-------------------------------------------------	----------------

Usage Conditions

Operating Temperature Range	-40 – 80 °C[-40 – 176 °F]
-----------------------------	---------------------------

Operation/Application

Operating Frequency	6 GHz
---------------------	-------

Packaging Features

Packaging Method	Carton
------------------	--------

Other

Coupling Nut Plating Material	Gold
-------------------------------	------

Lockwasher Material	Phosphor Bronze
---------------------	-----------------

Coupling Nut Base Material	Brass
----------------------------	-------

Dielectric Material	PTFE
---------------------	------

Product Compliance

[For compliance documentation, visit the product page on TE.com>](#)



EU RoHS Directive 2011/65/EU	Compliant with Exemptions
EU ELV Directive 2000/53/EC	Compliant with Exemptions
China RoHS 2 Directive MIIT Order No 32, 2016	Restricted Materials Above Threshold
EU REACH Regulation (EC) No. 1907/2006	Current ECHA Candidate List: JUNE 2023 (235) Candidate List Declared Against: JUNE 2023 (235) SVHC > Threshold: Pb (4% in Component Part) Article Safe Usage Statements: Do not eat, drink or smoke when using this product. Wash thoroughly after handling. Recycle if possible and dispose of the article by following all applicable governmental regulations relevant to your geographic location.
Halogen Content	Low Bromine/Chlorine - Br and Cl < 900 ppm per homogenous material. Also BFR /CFR/PVC Free
Solder Process Capability	Not applicable for solder process capability

Product Compliance Disclaimer

This information is provided based on reasonable inquiry of our suppliers and represents our current actual knowledge based on the information they provided. This information is subject to change. The part numbers that TE has identified as EU RoHS compliant have a maximum concentration of 0.1% by weight in homogenous materials for lead, hexavalent chromium, mercury, PBB, PBDE, DBP, BBP, DEHP, DIBP, and 0.01% for cadmium, or qualify for an exemption to these limits as defined in the Annexes of Directive 2011/65/EU (RoHS2). Finished electrical and electronic equipment products will be CE marked as required by Directive 2011/65/EU. Components may not be CE marked. Additionally, the part numbers that TE has identified as EU ELV compliant have a maximum concentration of 0.1% by weight in homogenous materials for lead, hexavalent chromium, and mercury, and 0.01% for cadmium, or qualify for an exemption to these limits as defined in the Annexes of Directive 2000/53/EC (ELV). Regarding the REACH Regulation, the information TE provides on SVHC in articles for this part number is based on the latest European Chemicals Agency (ECHA) 'Guidance on requirements for substances in articles' posted at this URL: <https://echa.europa.eu/guidance-documents/guidance-on-reach>

Compatible Parts



Also in the Series | [AMP SMA](#)



Battery Holders(1)



Coax Connectors(295)



Connector Savers & Adapters(12)



Rack & Panel Ferrules & Inserts(1)



RF Cable Assemblies(2)



RF Connector Hardware(2)



RF Connector Launchers(8)



RF Connector Shrouds(3)

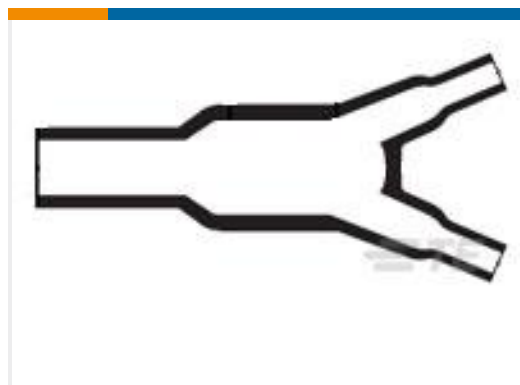


RF Terminators(1)

Customers Also Bought



TE Part #607381P039
SCT-NO.2-E5-0-50MM



TE Part #468963-000
382A012-4/86-0



TE Part #052433-000
D-150-0176



TE Part #5-1617758-4
FCB-205-0228M=M83536/2-028M



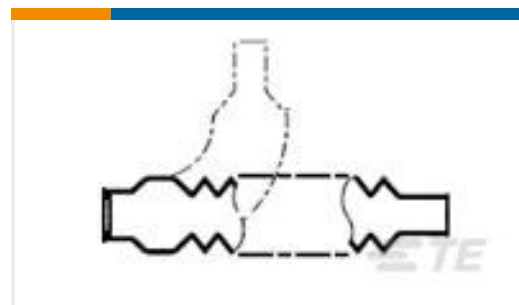
TE Part #621207-000
D-150-0174



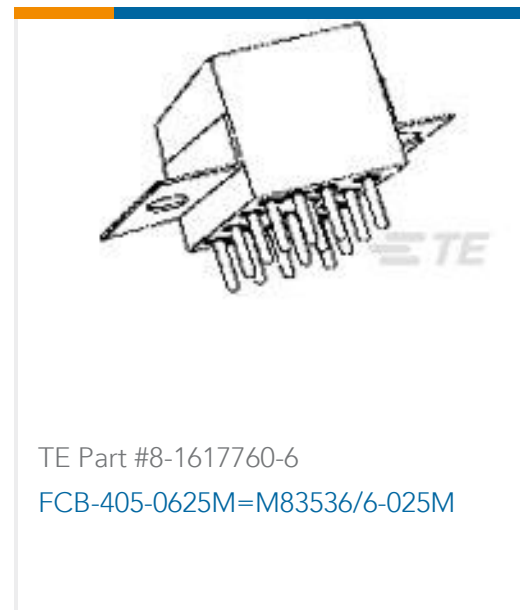
TE Part #727844-000
D-150-0175



TE Part #1-1437565-8
FSM1LPATR=TACT SWITCH 6X6MIL S



TE Part #527479-000
202C621-71/86-0



Documents

Product Drawings

QMA BULKHEAD CABLE JACK, .141

English

CAD Files

3D PDF

3D

Customer View Model

[ENG_CVM_CVM_1408349-1_A.2d_dxf.zip](#)

English

Customer View Model

[ENG_CVM_CVM_1408349-1_A.3d_igs.zip](#)

English

Customer View Model

[ENG_CVM_CVM_1408349-1_A.3d_stp.zip](#)

English

By downloading the CAD file I accept and agree to the [Terms and Conditions](#) of use.

Datasheets & Catalog Pages

QMA Connectors

English

Product Specifications

Product Specification

English

Instruction Sheets

Instruction Sheet (U.S.)

English