

1394738-4 × OBSOLETE

SOLARLOK | SOLARLOK PV4-PM Connector

TE Internal #: 1394738-4

TE Internal Description: ANSCHL.WECHSELRICHT

[View on TE.com >](#)



Energy & Power > Solar & Photovoltaics > Solar Connectors & Adapters



Solar Connector Type: **DC/AC Converter Receptacle**

Solar Connector Style: **Plug**

Contact Base Material: **Copper Zinc**

Solar Connector & Adapter Keying: **Minus**

Wire Size: **12 AWG**

Features

Product Type Features

Product Type	Connector
Solar Connector Type	DC/AC Converter Receptacle
Solar Connector Style	Plug

Configuration Features

Solar Connector & Adapter Keying	Minus
----------------------------------	-------

Contact Features

Contact Finish	Silver
Contact Base Material	Copper Zinc

Housing Features

Housing Color	Black
Housing Material	Polyphenylene Oxide (PPO)

Dimensions

Wire Size	4 mm ²
-----------	-------------------

Packaging Features

Packaging Quantity	100
--------------------	-----

Product Compliance

[For compliance documentation, visit the product page on TE.com>](#)

EU RoHS Directive 2011/65/EU	Not Yet Reviewed
------------------------------	------------------

EU ELV Directive 2000/53/EC	Compliant
China RoHS 2 Directive MIIT Order No 32, 2016	No Restricted Materials Above Threshold
EU REACH Regulation (EC) No. 1907/2006	Current ECHA Candidate List: JUNE 2023 (235) Not Yet Reviewed
Halogen Content	Not Low Halogen - contains Br or Cl > 900 ppm.
Solder Process Capability	Not applicable for solder process capability

Product Compliance Disclaimer

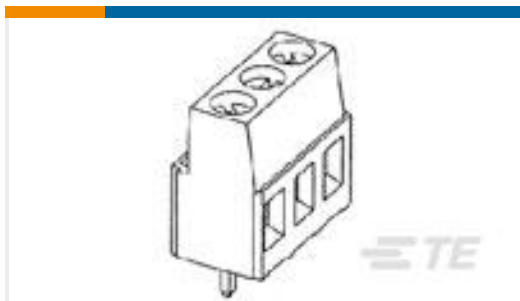
This information is provided based on reasonable inquiry of our suppliers and represents our current actual knowledge based on the information they provided. This information is subject to change. The part numbers that TE has identified as EU RoHS compliant have a maximum concentration of 0.1% by weight in homogenous materials for lead, hexavalent chromium, mercury, PBB, PBDE, DBP, BBP, DEHP, DIBP, and 0.01% for cadmium, or qualify for an exemption to these limits as defined in the Annexes of Directive 2011/65/EU (RoHS2). Finished electrical and electronic equipment products will be CE marked as required by Directive 2011/65/EU. Components may not be CE marked. Additionally, the part numbers that TE has identified as EU ELV compliant have a maximum concentration of 0.1% by weight in homogenous materials for lead, hexavalent chromium, and mercury, and 0.01% for cadmium, or qualify for an exemption to these limits as defined in the Annexes of Directive 2000/53/EC (ELV). Regarding the REACH Regulations, TE's information on SVHC in articles for this part number is still based on the European Chemical Agency (ECHA) 'Guidance on requirements for substances in articles' (Version: 2, April 2011), applying the 0.1% weight on weight concentration threshold at the finished product level. TE is aware of the European Court of Justice ruling of September 10th, 2015 also known as O5A (Once An Article Always An Article) stating that, in case of 'complex object', the threshold for a SVHC must be applied to both the product as a whole and simultaneously to each of the articles forming part of its composition. TE has evaluated this ruling based on the new ECHA "Guidance on requirements for substances in articles" (June 2017, version 4.0) and will be updating its statements accordingly.

Also in the Series | **SOLARLOK PV4-PM Connector**



Solar Connectors & Adapters(12)

Customers Also Bought



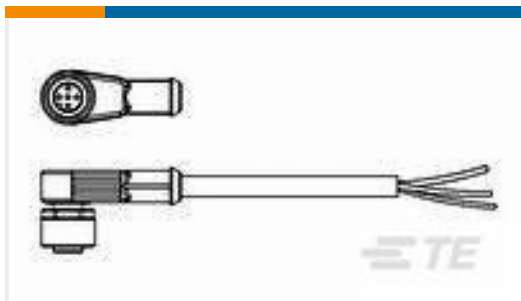
TE Part #1-796949-8
18POS TERMI-BLOK PCB MOUNT



TE Part #1954381-2
Asy, Grounding Clip, 10-12 AWG w



TE Part #2106831-1
Grounding Assy



TE Part #2273012-4
M8 x 1.0 Angled socket Pigtail LED



Documents

Product Drawings

ANSCHL.WECHSELRIEHT

English

CAD Files

Customer View Model

[ENG_CVM_CVM_1394738-4_F.2d_dxf.zip](#)

English

3D PDF

3D

Customer View Model

[ENG_CVM_CVM_1394738-4_F.3d_igs.zip](#)

English

Customer View Model

[ENG_CVM_CVM_1394738-4_F.3d_stp.zip](#)

English

By downloading the CAD file I accept and agree to the [Terms and Conditions](#) of use.

Datasheets & Catalog Pages

[SOLARLOK_CONNECTIVITY_SYSTEMS_FOR_PV_MANUFACTURERS_3-1773458-7](#)

English