

1393315-9 ✓ ACTIVE

High Current Relay HCR 150

TE Internal #: 1393315-9

Automotive High Current Relays, 24 VDC Coil Voltage, >50A, 1 Form X (DM), Resistor in Parallel, Monostable, DC, High Current Relay HCR 150

[View on TE.com >](#)



Relays, Contactors & Switches > Relays > Automotive Relays > Automotive High Current Relays



Rated Coil Voltage: **24 VDC**

High Current Automotive Relay Contact Current Class: **>50A**

High Current Automotive Relay Contact Arrangement: **1 Form X (DM)**

Coil Suppression: **Resistor in Parallel**

High Current Automotive Relay Coil Magnetic System: **Monostable, DC**

Features

Product Type Features

Product Designation	High Current Automotive Relays
Product Category	Electromechanical Relays
Relay Type	High Current Relay HCR 200
Product Classification	Relays - Automotive High Current Relays
Product Type	Relay

Electrical Characteristics

Current Rating (85°C)	130 A
Insulation Initial Dielectric Between Contacts and Coil	1000 Vrms
Insulation Initial Dielectric Between Coil/Contact Class	500 – 1000 V
Coil Power Rating (DC)	4100 mW
Insulation Initial Dielectric Between Open Contacts	1000 Vrms
Contact Limiting Making Current	300 A
Contact Limiting Continuous Current	180 A
Rated Voltage	24 VDC
Contact Limiting Breaking Current	300 A
Contact Switching Load (Min)	1000mA @ 5VDC
Rated Coil Voltage	24 VDC
Coil Suppression	Resistor in Parallel

High Current Automotive Relay Coil Magnetic System	Monostable, DC
--	----------------

High Current Automotive Relay Coil Resistance	141 Ω
---	-------

Body Features

Weight	220 g[7.76 oz]
--------	----------------

Contact Features

Terminal Type	Screw Terminals
---------------	-----------------

Contact Base Material	Silver Alloy
-----------------------	--------------

High Current Automotive Relay Contact Current Class	>50A
---	------

High Current Automotive Relay Contact Arrangement	1 Form X (DM)
---	---------------

Mechanical Attachment

Mounting Type	Screw
---------------	-------

Dimensions

Width Class (Mechanical)	30 – 40 mm
--------------------------	------------

Height	40 mm[1.772 in]
--------	-----------------

Length Class (Mechanical)	>60mm
---------------------------	-------

Length	63 mm[2.48 in]
--------	----------------

Height Class (Mechanical)	40 – 50 mm
---------------------------	------------

Width	45 mm[1.772 in]
-------	-----------------

Usage Conditions

Environmental Ambient Temperature (Max)	125 °C[257 °F]
---	----------------

Environmental Ambient Temperature Class	105 – 125°C
---	-------------

Other

Mounting Brackets	With
-------------------	------

High Power Relays (>75A)	Yes
--------------------------	-----

Product Compliance

For compliance documentation, visit the product page on [TE.com](https://www.te.com)>

EU RoHS Directive 2011/65/EU	Compliant
------------------------------	-----------

EU ELV Directive 2000/53/EC	Compliant
-----------------------------	-----------

China RoHS 2 Directive MIIT Order No 32, 2016	No Restricted Materials Above Threshold
---	---

EU REACH Regulation (EC) No. 1907/2006	Current ECHA Candidate List: JUNE 2023 (235)
--	--



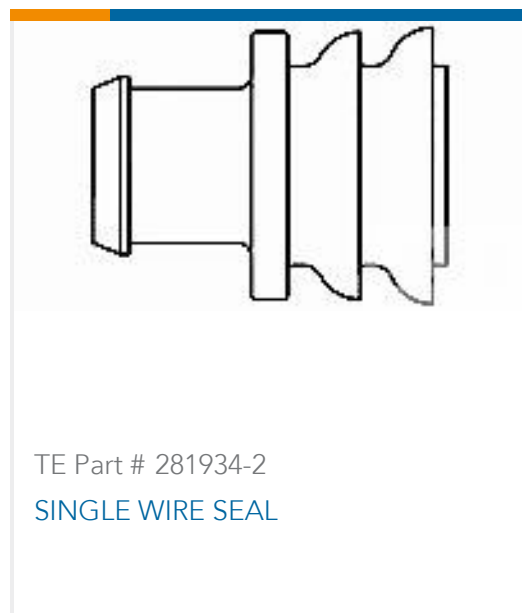
Candidate List Declared Against: JUNE 2023 (235)
Does not contain REACH SVHC

Halogen Content	Low Halogen - Br, Cl, F, I < 900 ppm per homogenous material. Also BFR/CFR/PVC Free
Solder Process Capability	Not applicable for solder process capability

Product Compliance Disclaimer

This information is provided based on reasonable inquiry of our suppliers and represents our current actual knowledge based on the information they provided. This information is subject to change. The part numbers that TE has identified as EU RoHS compliant have a maximum concentration of 0.1% by weight in homogenous materials for lead, hexavalent chromium, mercury, PBB, PBDE, DBP, BBP, DEHP, DIBP, and 0.01% for cadmium, or qualify for an exemption to these limits as defined in the Annexes of Directive 2011/65/EU (RoHS2). Finished electrical and electronic equipment products will be CE marked as required by Directive 2011/65/EU. Components may not be CE marked. Additionally, the part numbers that TE has identified as EU ELV compliant have a maximum concentration of 0.1% by weight in homogenous materials for lead, hexavalent chromium, and mercury, and 0.01% for cadmium, or qualify for an exemption to these limits as defined in the Annexes of Directive 2000/53/EC (ELV). Regarding the REACH Regulation, the information TE provides on SVHC in articles for this part number is based on the latest European Chemicals Agency (ECHA) 'Guidance on requirements for substances in articles' posted at this URL: <https://echa.europa.eu/guidance-documents/guidance-on-reach>

Compatible Parts



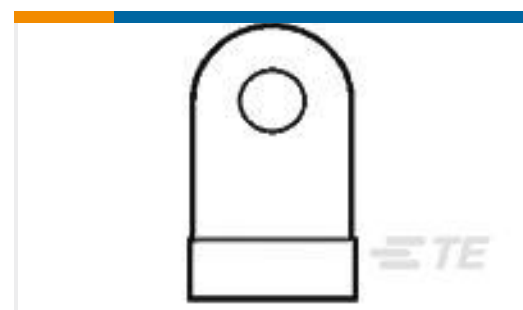
Also in the Series | High Current Relay HCR 150



Customers Also Bought



TE Part #1-1971876-4
PTL 3X4 PLUG HSG STD TEMP KEY A
NAT



TE Part #322215
TERMINAL,SOLIS FLAG R 1/0 1/4



TE Part #K1150157
Toggle Switch 07-2-2-24 B 901



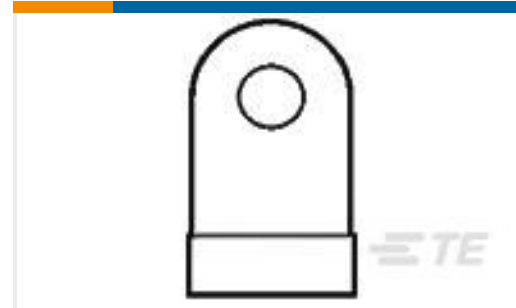
TE Part #K1143392
Battery Disconnecter 35-411-120-R



TE Part #1393304-9
V23134J1052D642-EV-CBOX



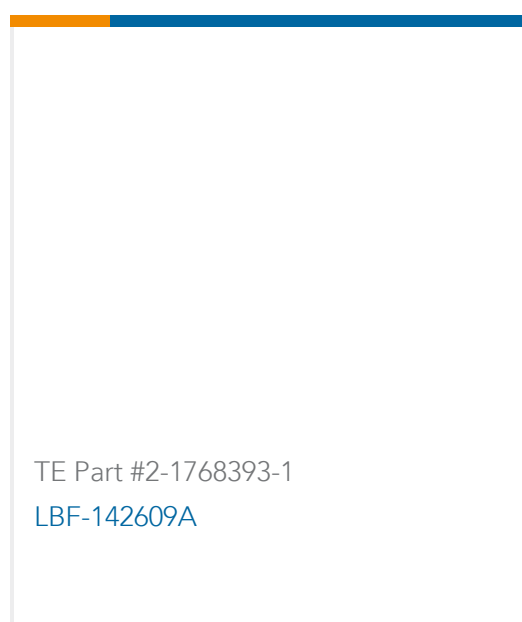
TE Part #4-1393302-1
V23134A0052X278-EV-CBOX



TE Part #321580
TERMINAL,SOLIS FLAG R 1/0 5/16



TE Part #160458-2
FF 250 TAB 18-16AWG TPPB LP



TE Part #2-1768393-1
LBF-142609A

Documents

Product Drawings

[V23132B2002A200=HCR](#)

English

CAD Files

Customer View Model

[ENG_CVM_CVM_1393315-9_B.2d_dxf.zip](#)

English

3D PDF

3D

Customer View Model

[ENG_CVM_CVM_1393315-9_B.3d_igs.zip](#)

English

Customer View Model

[ENG_CVM_CVM_1393315-9_B.3d_stp.zip](#)

English

By downloading the CAD file I accept and agree to the [Terms and Conditions](#) of use.

Datasheets & Catalog Pages



[Automotive Relay Application Notes](#)

English

[High Current Relay 150, High Current Devices, High Current Solutions](#)

English

[Product Specifications](#)

[Definitions General Purpose Relays](#)

English