

Socket for Maxi Relays

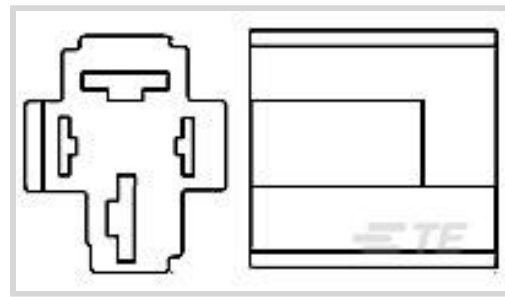
TE Internal #: 1393310-4

Relay Sockets, Wiring Harness, Plug-In Maxi ISO Relays, Socket for Maxi Relays

[View on TE.com >](#)



Relays, Contactors & Switches > Relays > Automotive Relays > Automotive Plug-In Relays > Relay Sockets



Relay Socket Type: **Wiring Harness**

Relay Socket For Use With: **Plug-In Maxi ISO Relays**

**Features**

**Product Type Features**

Product Type	Socket
--------------	--------

**Contact Features**

Relay Socket Type	Wiring Harness
-------------------	----------------

**Operation/Application**

Relay Socket For Use With	Plug-In Maxi ISO Relays
---------------------------	-------------------------

**Other**

Additional Information	Coil PN 1393310-5 - Wire AWG 14-18 - Qty. Required - 2, Crimp Terminal Part Number 1393310-6 - Wire AWG 10-12 - Qty. Required - 2, Crimp Terminal Part Number 2-1393310-2 - Wire AWG 6-10 - Qty. Required Form C - 3, Crimp Terminals Not Included. Order Separately.
------------------------	---

**Product Compliance**

[For compliance documentation, visit the product page on TE.com>](#)

EU RoHS Directive 2011/65/EU	Compliant
EU ELV Directive 2000/53/EC	Compliant
China RoHS 2 Directive MIIT Order No 32, 2016	No Restricted Materials Above Threshold
EU REACH Regulation (EC) No. 1907/2006	Current ECHA Candidate List: JUNE 2023 (235) Candidate List Declared Against: JUNE 2023 (235) Does not contain REACH SVHC
Halogen Content	Low Halogen - Br, Cl, F, I < 900 ppm per

homogenous material. Also BFR/CFR/PVC Free

Solder Process Capability

Not reviewed for solder process capability

Product Compliance Disclaimer

This information is provided based on reasonable inquiry of our suppliers and represents our current actual knowledge based on the information they provided. This information is subject to change. The part numbers that TE has identified as EU RoHS compliant have a maximum concentration of 0.1% by weight in homogenous materials for lead, hexavalent chromium, mercury, PBB, PBDE, DBP, BBP, DEHP, DIBP, and 0.01% for cadmium, or qualify for an exemption to these limits as defined in the Annexes of Directive 2011/65/EU (RoHS2). Finished electrical and electronic equipment products will be CE marked as required by Directive 2011/65/EU. Components may not be CE marked. Additionally, the part numbers that TE has identified as EU ELV compliant have a maximum concentration of 0.1% by weight in homogenous materials for lead, hexavalent chromium, and mercury, and 0.01% for cadmium, or qualify for an exemption to these limits as defined in the Annexes of Directive 2000/53/EC (ELV). Regarding the REACH Regulation, the information TE provides on SVHC in articles for this part number is based on the latest European Chemicals Agency (ECHA) 'Guidance on requirements for substances in articles' posted at this URL: <https://echa.europa.eu/guidance-documents/guidance-on-reach>

## Compatible Parts



TE Part # 1-1414147-0  
V23134J0052X429-EV-CBOX



TE Part # 60249-1  
FF 250 REC 16-12AWG BR



TE Part # 3-1904117-4  
V23134J0165X537-EV-CBOX



TE Part # 4-1904060-6  
V23136L0031D642-EV-CBOX



TE Part # 1-1414286-0  
V23134J0052X439-EV-CBOX



TE Part # 1393304-9  
V23134J1052D642-EV-CBOX



TE Part # 7-1393303-3  
V23134J0052D642-EV-CBOX



TE Part # 3-1414937-3  
V23134J0065X497-EV-CBOX



TE Part # 1-1414469-0  
V23134J0052X461-EV-CBOX



TE Part # 3-1415001-2  
V23134J0052X511-EV-CBOX



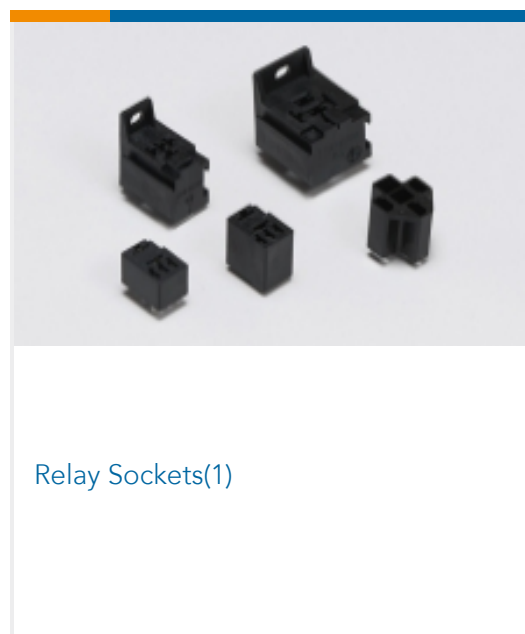
TE Part # 1-1414610-0  
V23134J0052X455-EV-TUBE



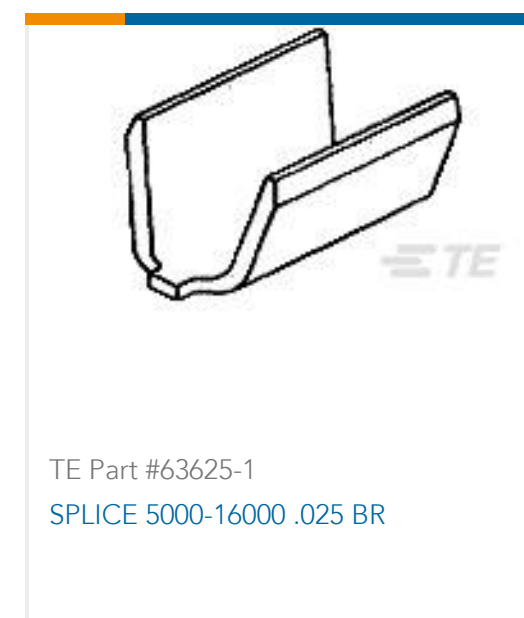
TE Part # 1-1393304-0  
V23134J1052X281-EV-CBOX



Also in the Series | **Socket for Maxi Relays**



Customers Also Bought





## Documents

### CAD Files

#### Customer View Model

[ENG\\_CVM\\_CVM\\_1393310-4\\_C.2d\\_dxf.zip](#)

English

#### 3D PDF

3D

#### Customer View Model

[ENG\\_CVM\\_CVM\\_1393310-4\\_C.3d\\_igs.zip](#)

English

#### Customer View Model

[ENG\\_CVM\\_CVM\\_1393310-4\\_C.3d\\_stp.zip](#)

English

By downloading the CAD file I accept and agree to the [Terms and Conditions](#) of use.

### Datasheets & Catalog Pages

#### Automotive Relay Application Notes

English

[Connectors for Mini \(Shrouded\)/Maxi ISO, Connectors Production Production North America, Accessories](#)

English

### Product Specifications

#### Definitions General Purpose Relays

English

### Product Environmental Compliance

#### Product Compliance

English

#### Product Compliance

English