

1379118-1 ✓ ACTIVE

AMP | MQS

TE Internal #: 1379118-1

Housing for Male Terminals, Wire-to-Board / Wire-to-Wire, 6 Position, .1 in [2.54 mm] Centerline, Black, Wire & Cable, Signal, MQS

[View on TE.com >](#)



Connectors > Automotive Connectors > Automotive Housings > MQS, CONNECTOR HOUSING



Connector System: **Wire-to-Board, Wire-to-Wire**

Number of Positions: **6**

Connector & Housing Type: **Housing for Male Terminals**

Centerline (Pitch): **2.54 mm [.1 in]**

Sealable: **No**

[All MQS, CONNECTOR HOUSING \(573\)](#)

Features

Product Type Features

Mixed & Hybrid Connector	No
Connector Shape	Rectangular
Connector System	Wire-to-Board, Wire-to-Wire
Connector & Housing Type	Housing for Male Terminals
Sealable	No
Connector & Contact Terminates To	Wire & Cable
Primary Locking Feature	On the Terminal

Configuration Features

Number of Positions	6
Number of Rows	2

Electrical Characteristics

Operating Voltage	24 VDC
Nominal Voltage Architecture	12 V, 24 V

Body Features

Cable Exit Angle	180°
Primary Product Color	Black
Connector & Keying Code	Neutral



Contact Features

Contact Size	.63mm
Contact Type	Tab
Contact Current Rating (Max)	13 A

Mechanical Attachment

Terminal Position Assurance	Yes
Strain Relief	Without
Mating Alignment Type	Keyed
Mating Alignment	With
Connector Mounting Type	Cable Mount (Free-Hanging)

Housing Features

Housing Material	PBT GF20
Centerline (Pitch)	2.54 mm[.1 in]

Dimensions

Connector Height	14.8 mm[.583 in]
Product Width	34.1 mm[1.343 in]
Product Length	17.5 mm[.689 in]
Row-to-Row Spacing	2.54 mm[.1 in]

Usage Conditions

Operating Temperature (Max)	70 °C, 75 °C, 80 °C, 85 °C[158 °F][167 °F] [176 °F][185 °F]
Operating Temperature Range	-40 – 85 °C[-40 – 185 °F]

Operation/Application

Circuit Application	Signal
---------------------	--------

Industry Standards

UL Flammability Rating	UL 94HB
------------------------	---------

Packaging Features

Packaging Method	Box
------------------	-----

Other

Serviceable	Yes
Connector Position Assurance Capable	No



Product Compliance

[For compliance documentation, visit the product page on TE.com>](#)

EU RoHS Directive 2011/65/EU	Compliant
EU ELV Directive 2000/53/EC	Compliant
China RoHS 2 Directive MIIT Order No 32, 2016	No Restricted Materials Above Threshold
EU REACH Regulation (EC) No. 1907/2006	Current ECHA Candidate List: JUNE 2023 (235) Candidate List Declared Against: JUNE 2023 (235) Does not contain REACH SVHC
Halogen Content	Low Halogen - Br, Cl, F, I < 900 ppm per homogenous material. Also BFR/CFR/PVC Free
Solder Process Capability	Not applicable for solder process capability

Product Compliance Disclaimer

This information is provided based on reasonable inquiry of our suppliers and represents our current actual knowledge based on the information they provided. This information is subject to change. The part numbers that TE has identified as EU RoHS compliant have a maximum concentration of 0.1% by weight in homogenous materials for lead, hexavalent chromium, mercury, PBB, PBDE, DBP, BBP, DEHP, DIBP, and 0.01% for cadmium, or qualify for an exemption to these limits as defined in the Annexes of Directive 2011/65/EU (RoHS2). Finished electrical and electronic equipment products will be CE marked as required by Directive 2011/65/EU. Components may not be CE marked. Additionally, the part numbers that TE has identified as EU ELV compliant have a maximum concentration of 0.1% by weight in homogenous materials for lead, hexavalent chromium, and mercury, and 0.01% for cadmium, or qualify for an exemption to these limits as defined in the Annexes of Directive 2000/53/EC (ELV). Regarding the REACH Regulation, the information TE provides on SVHC in articles for this part number is based on the latest European Chemicals Agency (ECHA) 'Guidance on requirements for substances in articles' posted at this URL: <https://echa.europa.eu/guidance-documents/guidance-on-reach>

Compatible Parts



TE Part # 185311-1
6POS MQS REC



TE Part # 953382-1
COVER FOR 6W HSG MQS GEN2



TE Part # 953381-1
LOCKING DEVICE FOR 6W MQS



TE Part # 953440-1
6pos MQS .63 header 90deg

Also in the Series | MQS



Automotive Connector Caps & Covers (138)



Automotive Connector EMC Shielding (3)



Automotive Connector Locks & Position Assurance(30)



Automotive Housings(507)



Automotive Terminals(104)



Connector Seals & Cavity Plugs(27)



Insertion & Extraction Tools(42)



Other Automotive Connector Accessories(14)



PCB Headers & Receptacles(213)

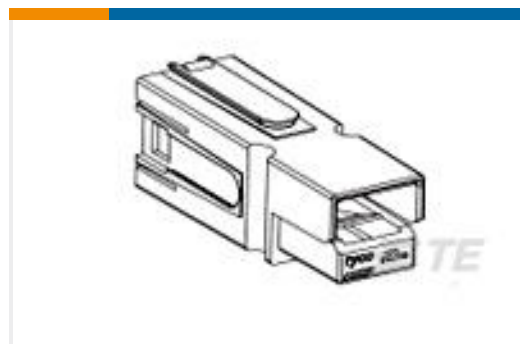
Customers Also Bought



TE Part #1-1418463-9
MQS, CONNECTOR HOUSING



TE Part #1-1445715-0
75A HSG SUBASY RED



TE Part #1445715-7
75A HSG SUBASY BLACK



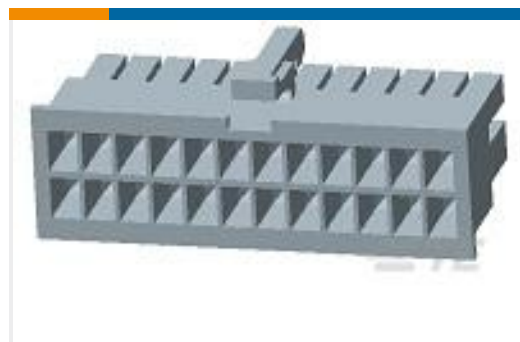
TE Part #5-1418760-1
MCON 1.2 LL TAB STC SN



TE Part #3-968696-2
MQS STIFT-GEH 4P



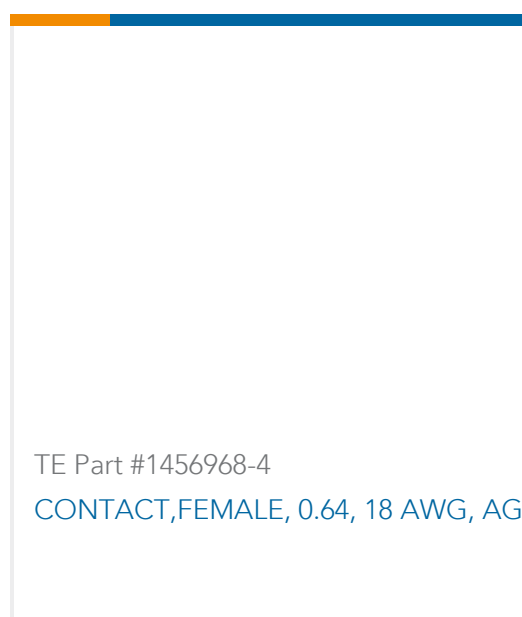
TE Part #316390-7
CAVITY PLUG FOR MINI M/LOCK



TE Part #1969614-8
8P RCPT VAL-U-LOK V0



TE Part #382229-019
44A1121-20-0/9-9



Documents

Product Drawings

6POS MQS TAB

English

CAD Files

3D PDF

3D

Customer View Model

[ENG_CVM_CVM_1379118-1_A_c-1379118-1-a.2d_dxf.zip](#)

English

Customer View Model

[ENG_CVM_CVM_1379118-1_A_c-1379118-1-a.3d_igs.zip](#)

English

Customer View Model

[ENG_CVM_CVM_1379118-1_A_c-1379118-1-a.3d_stp.zip](#)

English

By downloading the CAD file I accept and agree to the [Terms and Conditions](#) of use.

Datasheets & Catalog Pages

Micro Quadlok Interconnection System (MQS)

English

Product Specifications

PORTE-LANGUETTES 6 VOIES MQS

English

Product Specification

English

Instruction Sheets

RECOMMANDATIONS GENERALES D'UTILISATION PORTE-LANGUETTES 6 VOIES MQS

English

Instruction Sheet (non U.S.)

English