



MQS

TE Internal #: 1379095-2

Automotive Connector Caps & Covers, Cover Assembly, Blue, PBT

GF, 12 Position, -40 – 212 °F [-40 – 100 °C], MQS

[View on TE.com >](#)

Connectors > Automotive Connectors > Automotive Connector Accessories > Automotive Connector Caps & Covers



Protection & Strain Relief Accessory Type: **Cover Assembly**

Strain Relief: **Without**

Primary Product Color: **Blue**

Primary Product Material: **PBT GF**

Number of Positions: **12**

Features

Product Type Features

Protection & Strain Relief Accessory Type	Cover Assembly
Sealable	Yes

Configuration Features

Compatible With Connector Code	2
Number of Positions	12

Body Features

Primary Product Color	Blue
Primary Product Material	PBT GF

Mechanical Attachment

Strain Relief	Without
---------------	---------

Usage Conditions

Operating Temperature (Max)	100 °C[212 °F]
Operating Temperature Range	-40 – 100 °C[-40 – 212 °F]

Packaging Features

Packaging Quantity	1600
Packaging Method	Box

Product Compliance

[For compliance documentation, visit the product page on TE.com>](#)



EU RoHS Directive 2011/65/EU	Compliant
EU ELV Directive 2000/53/EC	Compliant
China RoHS 2 Directive MIIT Order No 32, 2016	No Restricted Materials Above Threshold
EU REACH Regulation (EC) No. 1907/2006	Current ECHA Candidate List: JUNE 2023 (235) Candidate List Declared Against: JUNE 2023 (235) Does not contain REACH SVHC
Halogen Content	Low Halogen - Br, Cl, F, I < 900 ppm per homogenous material. Also BFR/CFR/PVC Free
Solder Process Capability	Not reviewed for solder process capability

Product Compliance Disclaimer

This information is provided based on reasonable inquiry of our suppliers and represents our current actual knowledge based on the information they provided. This information is subject to change. The part numbers that TE has identified as EU RoHS compliant have a maximum concentration of 0.1% by weight in homogenous materials for lead, hexavalent chromium, mercury, PBB, PBDE, DBP, BBP, DEHP, DIBP, and 0.01% for cadmium, or qualify for an exemption to these limits as defined in the Annexes of Directive 2011/65/EU (RoHS2). Finished electrical and electronic equipment products will be CE marked as required by Directive 2011/65/EU. Components may not be CE marked. Additionally, the part numbers that TE has identified as EU ELV compliant have a maximum concentration of 0.1% by weight in homogenous materials for lead, hexavalent chromium, and mercury, and 0.01% for cadmium, or qualify for an exemption to these limits as defined in the Annexes of Directive 2000/53/EC (ELV). Regarding the REACH Regulation, the information TE provides on SVHC in articles for this part number is based on the latest European Chemicals Agency (ECHA) 'Guidance on requirements for substances in articles' posted at this URL: <https://echa.europa.eu/guidance-documents/guidance-on-reach>

Compatible Parts



TE Part # CAT-SIGH262
Signal Header



TE Part # 1379219-1
12POS MQS REC



TE Part # 1379094-2
COVER MQS 12W 0DEG

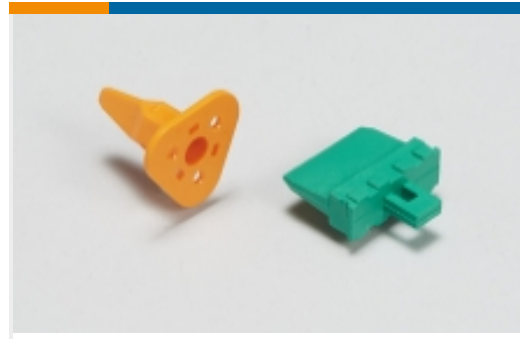
Also in the Series | **MQS**



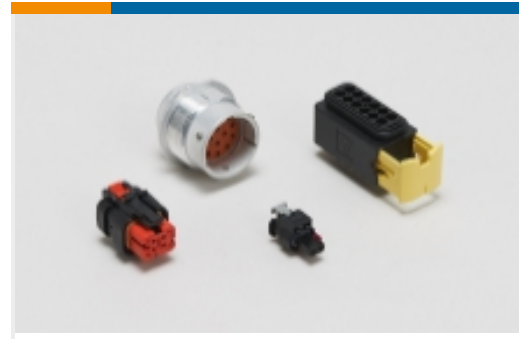
Automotive Connector Caps & Covers (138)



Automotive Connector EMC Shielding (3)



Automotive Connector Locks & Position Assurance (30)



Automotive Housings (507)



Automotive Terminals (104)



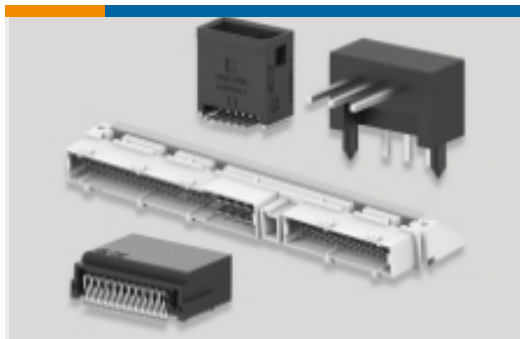
Connector Seals & Cavity Plugs (31)



Insertion & Extraction Tools (42)



Other Automotive Connector Accessories (10)



PCB Headers & Receptacles (213)

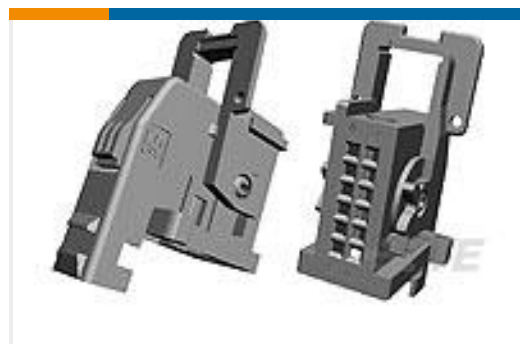
Customers Also Bought



TE Part #953697-1
MQS, CONNECTOR HOUSING



TE Part #1379659-3
8W PLUG HOUSING ASSY BLUE



TE Part #1379096-2
COV+LEV MQS 12W 90DEG BLU



TE Part #1379095-1
COV+LEV MQS 12W 0DEG BROW



TE Part #1801175-1
2W RECEPTACLE HP CONNECTOR BLACK



TE Part #1801600-2
RECEPTACLE HOUSING, MCON, 10 W, SEALED



TE Part #1801735-1
18W HYBRID UNSEALED RCPT HSG ASSY BLACK



TE Part #1801823-1
4POS, MCON 0.5 CB, REC HSG, BLACK, ASSY, SLD



Documents

Product Drawings

[COV+LEV MQS 12W 0DEG BLUE](#)

English

CAD Files

Customer View Model

[ENG_CVM_1379095-2_C.3d_igs.zip](#)

English

Customer View Model

[ENG_CVM_1379095-2_C.3d_stp.zip](#)

English

Customer View Model

[ENG_CVM_1379095-2_C.2d_dxf.zip](#)

English

3D PDF

English

By downloading the CAD file I accept and agree to the [Terms and Conditions](#) of use.

Product Specifications

[Product Specification](#)

English

Instruction Sheets

[Recommandations Generales D'Utilisation - 12 Voies MQS](#)

English

[Instruction Sheet \(non U.S.\)](#)

English

[Instruction Sheet \(non U.S.\)](#)

French

[Instruction Sheet \(non U.S.\)](#)

English