

1376477-5 ✓ ACTIVE



AMP Signal Double Lock

TE Internal #: 1376477-5

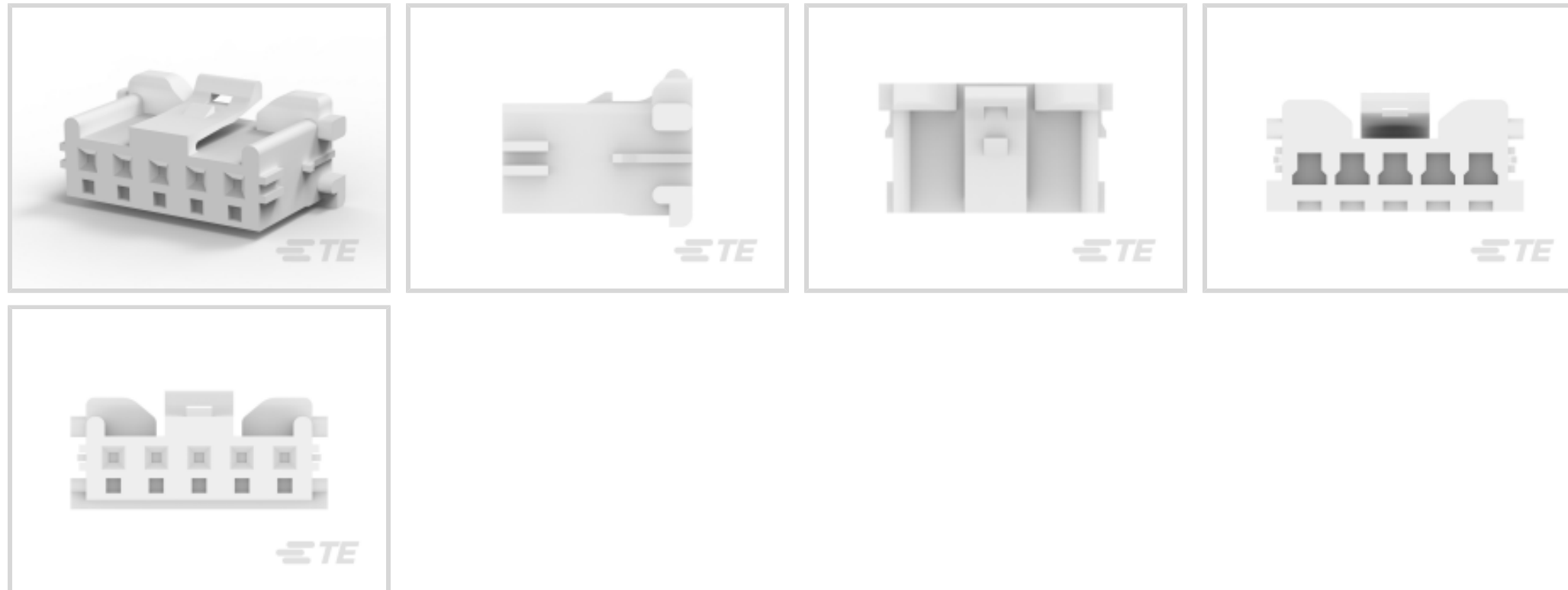
Housing, Plug, Wire-to-Board, 5 Position, .098 in [2.5 mm]

Centerline, Crimp, 1 Row, Natural, Mating Retention, AMP Signal

Double Lock

[View on TE.com >](#)

Connectors > PCB Connectors > Wire-to-Board Connectors > Wire-to-Board Connector Assemblies & Housings



Connector Product Type: **Housing**

Connector & Housing Type: **Plug**

Connector System: **Wire-to-Board**

Number of Positions: **5**

Centerline (Pitch): **2.5 mm [.098 in]**

Features

Product Type Features

Connector Product Type	Housing
Connector & Housing Type	Plug
Connector System	Wire-to-Board
Sealable	No
Connector & Contact Terminates To	Printed Circuit Board

Configuration Features

Number of Positions	5
Number of Rows	1

Electrical Characteristics

Operating Voltage	50 VAC
-------------------	--------

Body Features

Primary Product Color	Natural
-----------------------	---------

Contact Features

--	--



Contact Layout	Inline
Contact Type	Pin
Contact Base Material	Phosphor Bronze
Contact Current Rating (Max)	2.5 A

Termination Features

Termination Method to Wire & Cable	Crimp
------------------------------------	-------

Mechanical Attachment

Strain Relief	Without
Panel Mount Feature	Without
PCB Mount Retention	Without
Mating Retention Type	Latch
Mating Retention	With
Connector Mounting Type	Cable Mount (Free-Hanging)

Housing Features

Housing Material	Nylon 66 GF
Centerline (Pitch)	2.5 mm[.098 in]

Dimensions

Connector Length	15 mm[.59 in]
Connector Height	6.5 mm[.256 in]
Wire Size	.12 – .38 mm ²

Usage Conditions

Operating Temperature Range	-30 – 105 °C[-22 – 221 °F]
-----------------------------	----------------------------

Operation/Application

Circuit Application	Power & Signal
---------------------	----------------

Packaging Features

Packaging Quantity	300
Packaging Method	Bag & Box

Product Compliance

[For compliance documentation, visit the product page on TE.com>](#)

EU RoHS Directive 2011/65/EU	Compliant
EU ELV Directive 2000/53/EC	Compliant



China RoHS 2 Directive MIIT Order No 32, 2016	No Restricted Materials Above Threshold
EU REACH Regulation (EC) No. 1907/2006	Current ECHA Candidate List: JUNE 2023 (235) Candidate List Declared Against: JUNE 2023 (235) Does not contain REACH SVHC
Halogen Content	Not Low Halogen - contains Br or Cl > 900 ppm.
Solder Process Capability	Not applicable for solder process capability


Product Compliance Disclaimer

This information is provided based on reasonable inquiry of our suppliers and represents our current actual knowledge based on the information they provided. This information is subject to change. The part numbers that TE has identified as EU RoHS compliant have a maximum concentration of 0.1% by weight in homogenous materials for lead, hexavalent chromium, mercury, PBB, PBDE, DBP, BBP, DEHP, DIBP, and 0.01% for cadmium, or qualify for an exemption to these limits as defined in the Annexes of Directive 2011/65/EU (RoHS2). Finished electrical and electronic equipment products will be CE marked as required by Directive 2011/65/EU. Components may not be CE marked. Additionally, the part numbers that TE has identified as EU ELV compliant have a maximum concentration of 0.1% by weight in homogenous materials for lead, hexavalent chromium, and mercury, and 0.01% for cadmium, or qualify for an exemption to these limits as defined in the Annexes of Directive 2000/53/EC (ELV). Regarding the REACH Regulation, the information TE provides on SVHC in articles for this part number is based on the latest European Chemicals Agency (ECHA) 'Guidance on requirements for substances in articles' posted at this URL: <https://echa.europa.eu/guidance-documents/guidance-on-reach>

Compatible Parts



TE Part # 1717567-5
DBL LOCK PLATE FOR SMC PLUG 5P



TE Part # 1743492-1
BLOWER MOTOR 3P PLUG HSG



TE Part # 2-1376477-4
2.5MM PITCH SIGNAL MATE CONN



TE Part # 2371020-5
DBL LOCK PLATE FOR SMC PLUG 5P



TE Part # 6-1376492-5
2.5MM SIGNAL MATE CONN ON TAPE

Also in the Series | [AMP Signal Double Lock](#)



Connector Contacts(8)



Connector Seals & Cavity Plugs(10)



Insertion & Extraction Tools(1)



PCB Headers & Receptacles(144)



PCB Latches, Locks & Retainers(17)



Rectangular Caps & Covers(1)



Rectangular Connector Housings(23)



Rectangular Connector Locking(2)



Rectangular Power Connectors(3)



Standard Rectangular Connectors(1)



Wire-to-Board Connector Assemblies & Housings(76)

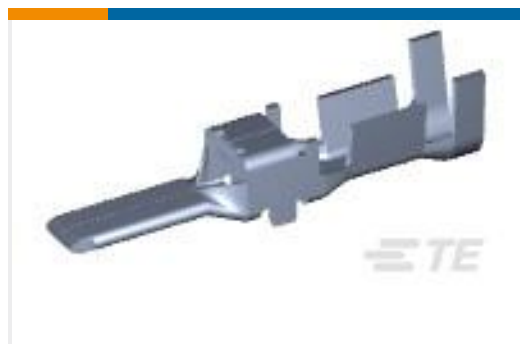


Wire-to-Board Connector Contacts(6)

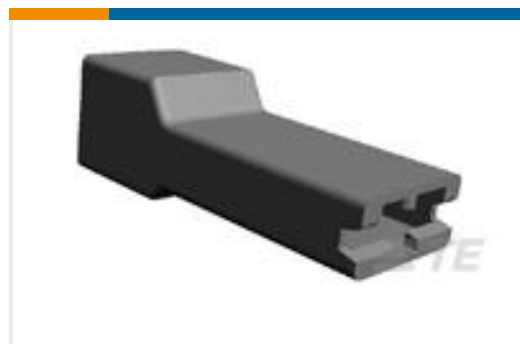
Customers Also Bought



TE Part #1565084-1
GRACE INERTIA CONNECTOR 3.5 6P



TE Part #1746973-1
GRACE INERTIA CONNECTOR 6.2
MM PITCH TAB



TE Part #171706-1
FASTON 250 INS POD NYLON NAT



TE Part #175019-1
187 PL EX FLAG REC. 22-16AWG PTBR



TE Part #1-2132781-1
11P EP-II HOUSING, NATURAL



TE Part #173724-5
PL EX 187 REC 20-14AWG PTPB



TE Part #2232111-3
250 FASTON, FLAG, REC., 12-20 AWG,
TPBR



TE Part #2232576-1
2.5 SIGNAL DBL LOCK REC CONT M



Documents

Product Drawings

2.5MM PITCH SIGNAL MATE CONN

English

CAD Files

Customer View Model

[ENG_CVM_CVM_1376477-5_E.2d_dxf.zip](#)

English

3D PDF

3D

Customer View Model

[ENG_CVM_CVM_1376477-5_E.3d_igs.zip](#)

English

Customer View Model

[ENG_CVM_CVM_1376477-5_E.3d_stp.zip](#)

English

By downloading the CAD file I accept and agree to the [Terms and Conditions](#) of use.

Product Specifications

Application Specification

English

Product Environmental Compliance

[MD_1376477-5_0221201896_dmtec](#)

English

[MD_1376477-5_0221201896_dmtec](#)

English