

1376394-1 ✓ ACTIVE



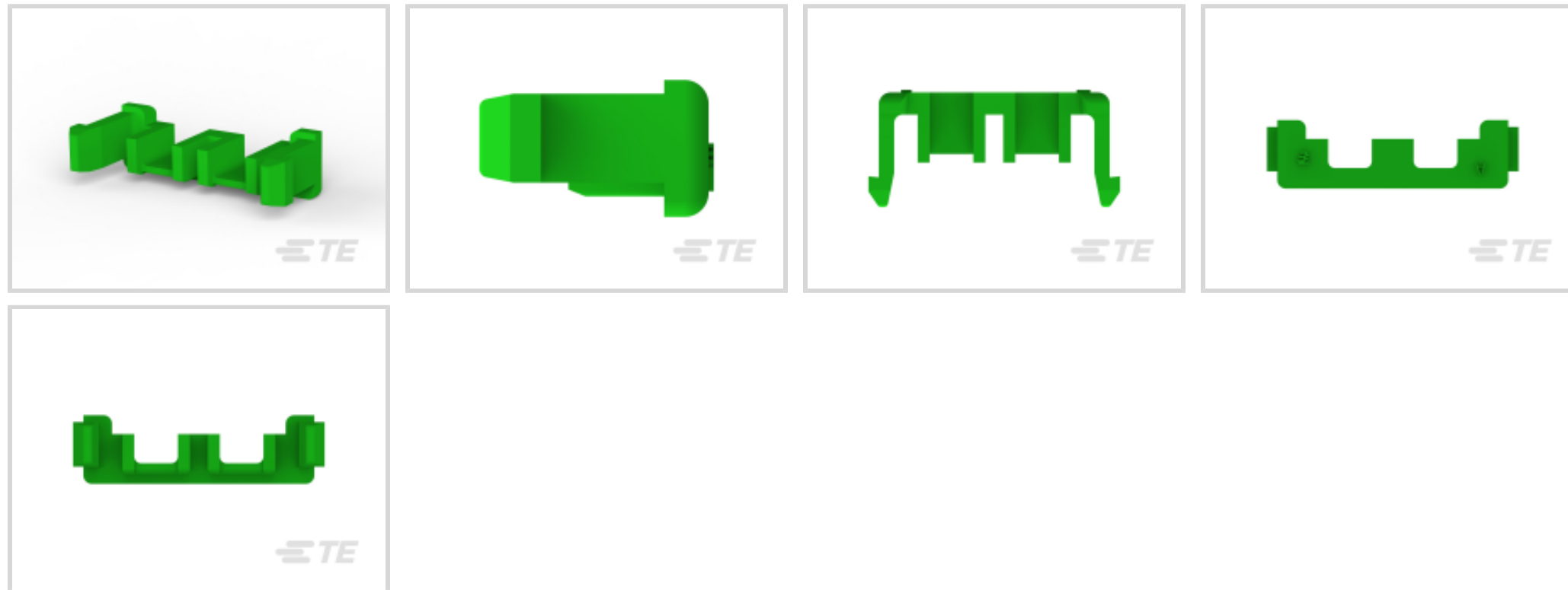
### Power Key 5.0

TE Internal #: 1376394-1

PCB Latches, Locks & Retainers, Secondary Lock, 2 Position, .197 in [5 mm] Centerline, Power Key 5.0

[View on TE.com >](#)

Connectors > PCB Connectors > PCB Connector Accessories > PCB Connector Hardware > PCB Latches, Locks & Retainers > Power Key TPA



Connector & Contact Retention Accessory Type: **Secondary Lock**

Number of Positions: **2**

Centerline (Pitch): **5 mm [.197 in]**

[All Power Key TPA \(4\)](#)

## Features

### Product Type Features

Connector & Contact Retention Accessory Type	Secondary Lock
--	----------------

### Configuration Features

Number of Positions	2
---------------------	---

### Body Features

Primary Product Color	Green
-----------------------	-------

### Housing Features

Centerline (Pitch)	5 mm [.197 in]
--------------------	----------------

### Dimensions

Product Width	4 mm [.157 in]
Product Length	13.5 mm [.531 in]
Product Height	6.7 mm [.264 in]

### Industry Standards

Glow Wire Rating	Standard Part - Not Glow Wire
------------------	-------------------------------

### Packaging Features



Packaging Quantity	1000
Packaging Method	Bag

### Product Compliance

[For compliance documentation, visit the product page on TE.com>](#)

EU RoHS Directive 2011/65/EU	Compliant
EU ELV Directive 2000/53/EC	Compliant
China RoHS 2 Directive MIIT Order No 32, 2016	No Restricted Materials Above Threshold
EU REACH Regulation (EC) No. 1907/2006	Current ECHA Candidate List: JUNE 2023 (235) Candidate List Declared Against: JUNE 2023 (235) Does not contain REACH SVHC
Halogen Content	Not Low Halogen - contains Br or Cl > 900 ppm.
Solder Process Capability	Not applicable for solder process capability


#### Product Compliance Disclaimer

This information is provided based on reasonable inquiry of our suppliers and represents our current actual knowledge based on the information they provided. This information is subject to change. The part numbers that TE has identified as EU RoHS compliant have a maximum concentration of 0.1% by weight in homogenous materials for lead, hexavalent chromium, mercury, PBB, PBDE, DBP, BBP, DEHP, DIBP, and 0.01% for cadmium, or qualify for an exemption to these limits as defined in the Annexes of Directive 2011/65/EU (RoHS2). Finished electrical and electronic equipment products will be CE marked as required by Directive 2011/65/EU. Components may not be CE marked. Additionally, the part numbers that TE has identified as EU ELV compliant have a maximum concentration of 0.1% by weight in homogenous materials for lead, hexavalent chromium, and mercury, and 0.01% for cadmium, or qualify for an exemption to these limits as defined in the Annexes of Directive 2000/53/EC (ELV). Regarding the REACH Regulation, the information TE provides on SVHC in articles for this part number is based on the latest European Chemicals Agency (ECHA) 'Guidance on requirements for substances in articles' posted at this URL: <https://echa.europa.eu/guidance-documents/guidance-on-reach>

### Compatible Parts



TE Part # CAT-P8704-H342  
STD Temp Power Key Header



TE Part # CAT-P8704-T669  
Power Key TPA



TE Part # 1376382-5  
5mm B-T-W Conn. 2P HDR ASSEMBLY (GWT)

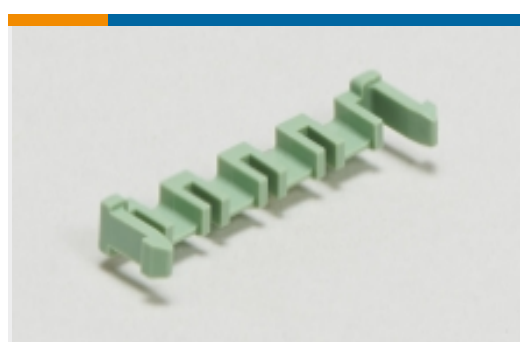


TE Part # 6-1376382-2  
5.0 PK CONN.2P ASSY WITHOUT KI

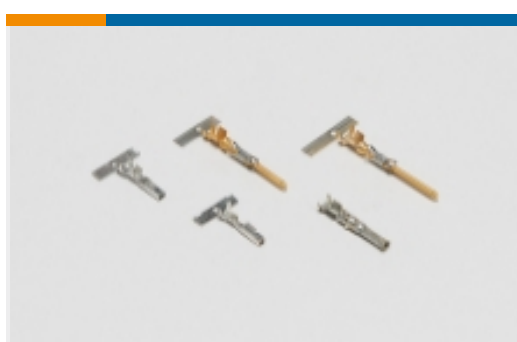
### Also in the Series | [Power Key 5.0](#)



Insertion &amp; Extraction Tools(1)



PCB Latches, Locks &amp; Retainers(4)

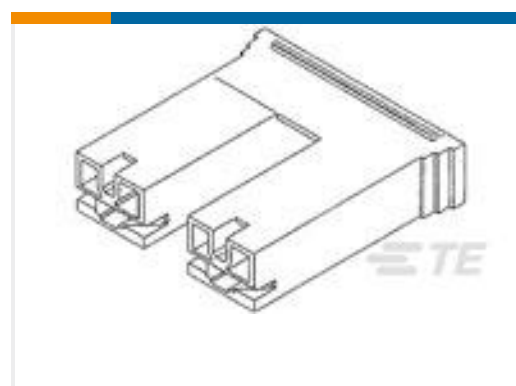
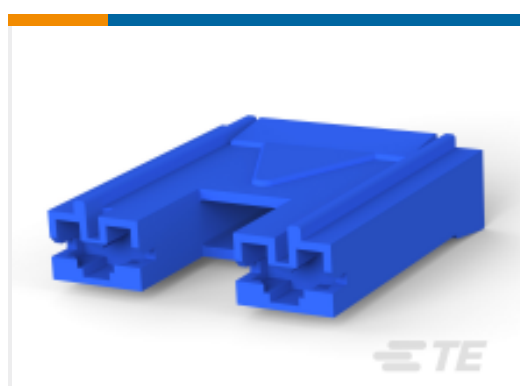


Power Contacts(4)



Rectangular Power Connectors(107)

## Customers Also Bought

TE Part #1376392-1  
STD Temp Power Key PlugTE Part #1971777-3  
PTL TPA HIGH TEMP 1 x 3 BLACKTE Part #1971785-1  
PTL RECEPTACLE CONTACT, 20 - 24  
AWGTE Part #1-520935-2  
PL 250 HOUSING REC RED 6/6  
NYLON V2TE Part #794761-1  
09P UMNLCAP HSG WHITE,P/MT,V0TE Part #2-176498-6  
187 HSG. PL MKII REC. 15mm 2P BLUE

## Documents

### Product Drawings

5MM POWER KEY D/L PLATE GREEN

Japanese

### CAD Files

Customer View Model

[ENG\\_CVM\\_CVM\\_1376394-1\\_F.2d\\_dxf.zip](#)

English

3D PDF

3D

Customer View Model

[ENG\\_CVM\\_CVM\\_1376394-1\\_F.3d\\_igs.zip](#)

English

Customer View Model

[ENG\\_CVM\\_CVM\\_1376394-1\\_F.3d\\_stp.zip](#)

English

By downloading the CAD file I accept and agree to the [Terms and Conditions](#) of use.



---

**Datasheets & Catalog Pages**

[SOFT\\_SHELL\\_PIN\\_SOCKET\\_CONNECTORS\\_STANDARD\\_DENSITY](#)

English

[1-1773881-9 Power Key Connector Quick Reference Guide](#)

English

---

**Product Specifications**

[5.0 POWER KEY CONNECTOR](#)

Japanese

[Application Specification](#)

Japanese

---

**Product Environmental Compliance**

[Product Compliance Document](#)

English

[Product Compliance Document](#)

English