

134122-1 ✓ ACTIVE



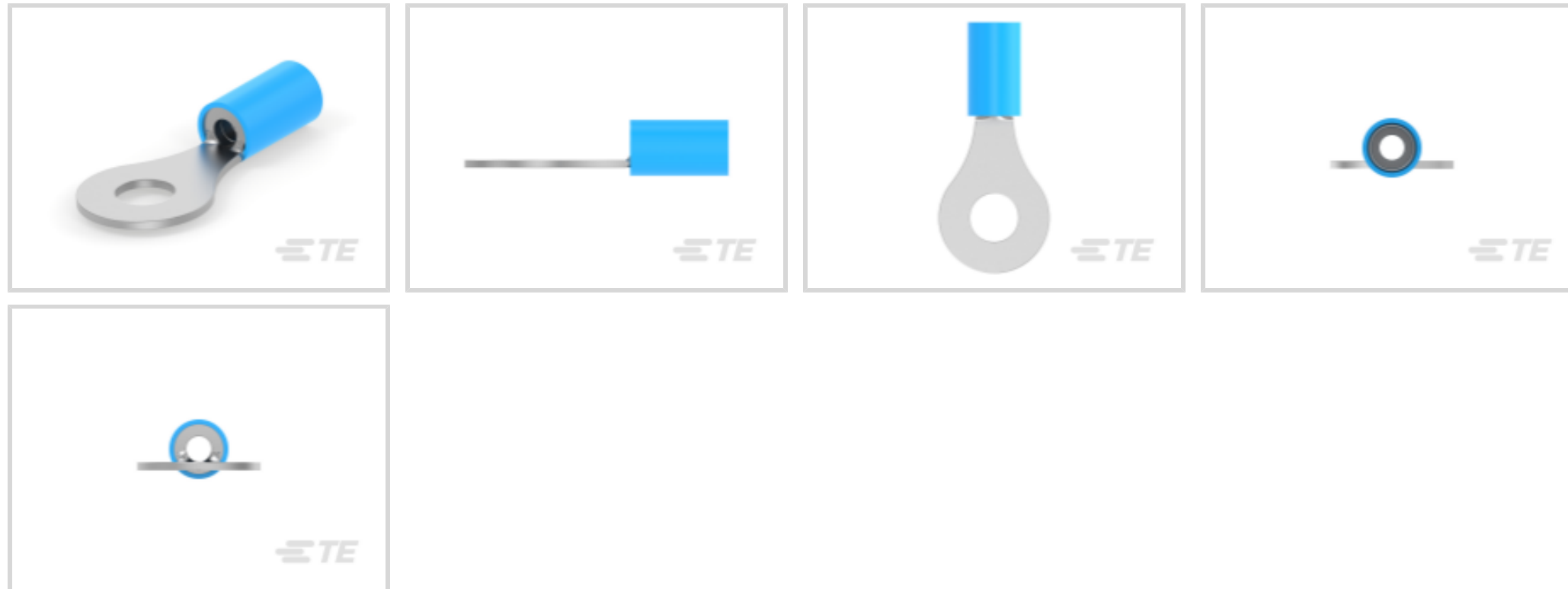
PIDG

TE Internal #: 134122-1

Closed Ring Tongue Terminal, 14 AWG, M5 Stud Size, 5.21 mm [.205 in] Stud Diameter, Closed Barrel, Straight, Tin, Partially Insulated, PIDG

[View on TE.com >](#)

Terminals & Splices > Ring Terminals



Ring Terminal Product Type: Closed Ring Tongue Terminal

Wire Size: 3260 – 5180 CMA

Stud Size: M5

## Features

### Product Type Features

Ring Terminal Product Type	Closed Ring Tongue Terminal
Stud Size	M5
Sealable	No
Wire Insulation Support Retention Type	Insulation Restriction

### Configuration Features

Number of Holes	1
-----------------	---

### Electrical Characteristics

Voltage Rating	300 V
----------------	-------

### Body Features

Product Weight	1.58 g
Insulation Sleeve Color	Blue
Stripe Color	Green

### Contact Features

Barrel Type	Closed
Terminal Orientation	Straight



Terminal Plating Material	Tin
---------------------------	-----

### Mechanical Attachment

Wire Insulation Support	With
-------------------------	------

### Dimensions

Wire Size	3260 – 5180 CMA
-----------	-----------------

Stud Diameter	5.21 mm [.205 in]
---------------	-------------------

Tongue Thickness	.79 mm [.031 in]
------------------	------------------

Product Length	29.1 mm [1.146 in]
----------------	--------------------

Compatible Insulation Diameter (Max)	3.3 mm [.13 in]
--------------------------------------	-----------------

Compatible Insulation Diameter Range	2.03 – 3.3 mm [.08 – .13 in]
--------------------------------------	------------------------------

### Usage Conditions

Insulation Option	Partially Insulated
-------------------	---------------------

Operating Temperature Range	105 °C [221 °F]
-----------------------------	-----------------

### Operation/Application

Compatible With Wire Base Material	Copper
------------------------------------	--------

Compatible With Wire Plating Material	Tin
---------------------------------------	-----

### Industry Standards

Government Qualified Terminal	No
-------------------------------	----

### Packaging Features

Packaging Quantity	1000
--------------------	------

Packaging Method	Loose Piece
------------------	-------------

### Product Compliance

[For compliance documentation, visit the product page on TE.com>](#)

EU RoHS Directive 2011/65/EU	Compliant
------------------------------	-----------

EU ELV Directive 2000/53/EC	Compliant
-----------------------------	-----------

China RoHS 2 Directive MIIT Order No 32, 2016	No Restricted Materials Above Threshold
---	---

EU REACH Regulation (EC) No. 1907/2006	Current ECHA Candidate List: JUNE 2023 (235) Candidate List Declared Against: JUNE 2023 (235) Does not contain REACH SVHC
--	---

Halogen Content	Low Halogen - Br, Cl, F, I < 900 ppm per homogenous material. Also BFR/CFR/PVC
-----------------	--

Free

Solder Process Capability

Not applicable for solder process capability

Product Compliance Disclaimer

This information is provided based on reasonable inquiry of our suppliers and represents our current actual knowledge based on the information they provided. This information is subject to change. The part numbers that TE has identified as EU RoHS compliant have a maximum concentration of 0.1% by weight in homogenous materials for lead, hexavalent chromium, mercury, PBB, PBDE, DBP, BBP, DEHP, DIBP, and 0.01% for cadmium, or qualify for an exemption to these limits as defined in the Annexes of Directive 2011/65/EU (RoHS2). Finished electrical and electronic equipment products will be CE marked as required by Directive 2011/65/EU. Components may not be CE marked. Additionally, the part numbers that TE has identified as EU ELV compliant have a maximum concentration of 0.1% by weight in homogenous materials for lead, hexavalent chromium, and mercury, and 0.01% for cadmium, or qualify for an exemption to these limits as defined in the Annexes of Directive 2000/53/EC (ELV). Regarding the REACH Regulation, the information TE provides on SVHC in articles for this part number is based on the latest European Chemicals Agency (ECHA) 'Guidance on requirements for substances in articles' posted at this URL: <https://echa.europa.eu/guidance-documents/guidance-on-reach>

### Compatible Parts




TE Part # 59170  
T-HEAD PIDG SH 26-14 ASSY



TE Part # 134021-1  
TERM, PIDG, R, IR, 16, M5



TE Part # 47806-2  
DIES PIDG 22-16 DIE SET




TE Part # 1490567-1  
HAND NON-LOGIC SHORT POWER UNI




TE Part # 1673611-1  
SHORT TOOL HOLDER W/RATCHET

### Also in the Series | PIDG




Compression Connectors(17)



Crimp Terminal Housings(1)



Crimp Wire Pins, Tabs & Ferrules(41)



Hand Crimping Tools(2)



Knife Disconnects(11)



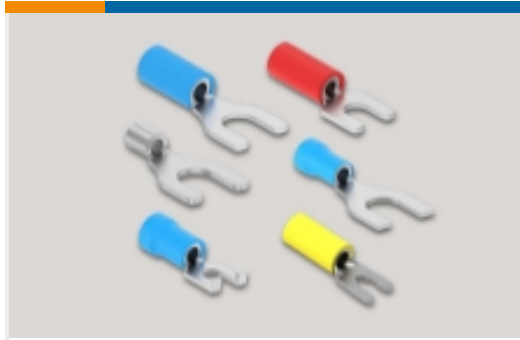
PCB Terminals(7)



Quick Disconnects(49)



Ring Terminals(611)



Spade Terminals(233)

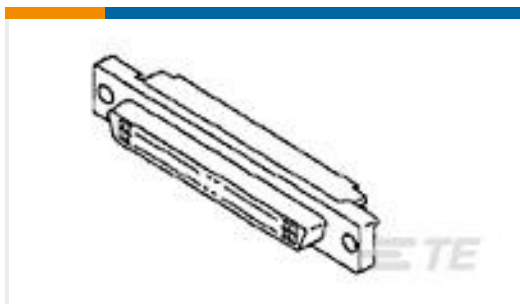


Special Purpose Terminals(1)



Splices(46)

## Customers Also Bought



TE Part #5-749877-7  
68 50SR PANEL MOUNT RCPT, ROHS



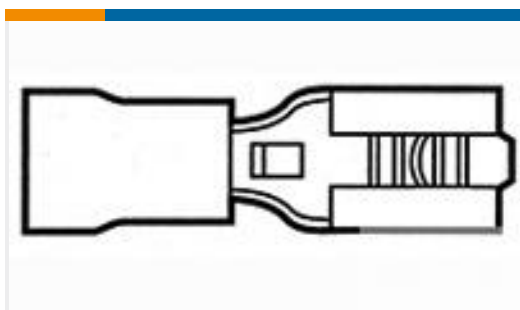
TE Part #794617-4  
4POS,MICRO MNL,RCPT HSG



TE Part #134021-1  
TERM, PIDG, R, IR, 16, M5



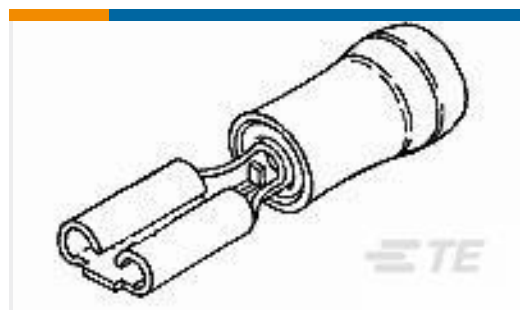
TE Part #51863-4  
PIDG Ring Tongue Terminals



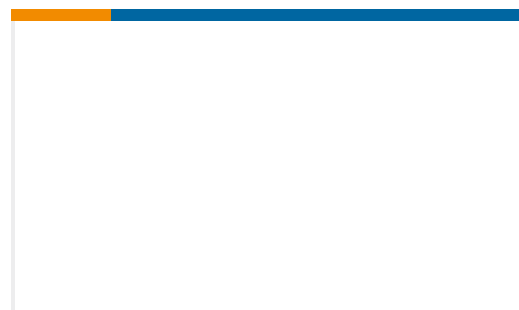
TE Part #9-160483-1  
4,8 PIDG FASTON REC



TE Part #YACT26JA35AN000000  
STRAIGHT PLUG



TE Part #165565-2  
2,8 PIDG FASTON REC



TE Part #ZPF000000000011578  
BJE 61



TE Part #ZPF00000000001192  
097-0006-16

## Documents



### Product Drawings

[TERM, PIDG, R, IR, 14, M5](#)

English

---

### CAD Files

[3D PDF](#)

3D

Customer View Model

[ENG\\_CVM\\_CVM\\_134122-1\\_B.2d\\_dxf.zip](#)

English

Customer View Model

[ENG\\_CVM\\_CVM\\_134122-1\\_B.3d\\_igs.zip](#)

English

Customer View Model

[ENG\\_CVM\\_CVM\\_134122-1\\_B.3d\\_stp.zip](#)

English

By downloading the CAD file I accept and agree to the [Terms and Conditions](#) of use.

---

### Product Specifications

[Application Specification](#)

English

---

### Product Environmental Compliance

[TE Material Declaration](#)

English