

1326030-8 ✓ ACTIVE

## 1.5/2.8 Connector System

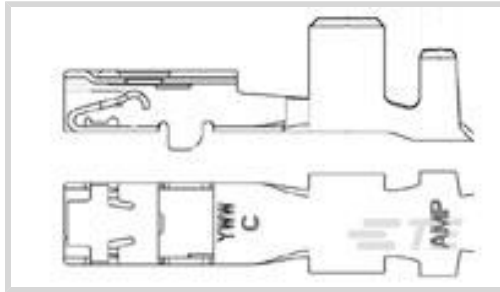
TE Internal #: 1326030-8

Automotive Terminals, Receptacle, Mating Tab Width 2.8 mm [.11 in], Tab Thickness .8 mm [.031 in], 12 AWG Wire Size, 1.5/2.8 Connector System

[View on TE.com >](#)



Terminals & Splices > Automotive Terminals > 1.5/2.8 CONNECTOR SYSTEM, RECPT AND TAB



Terminal Type: **Receptacle**

Mating Tab Width: **2.8 mm [.11 in]**

Mating Tab Thickness: **.8 mm [.031 in]**

Wire Size: **3.3 mm<sup>2</sup>**

[All 1.5/2.8 CONNECTOR SYSTEM, RECPT AND TAB \(40\)](#)

### Features

#### Product Type Features

Receptacle Style	180°
Sealable	No

#### Contact Features

Contact Size	2.8mm
Contact Fabrication	Stamped & Formed
Wire Contact Termination Area Plating Material	Tin
Crimp Type	F-Crimp
Terminal Type	Receptacle
Mating Tab Width	2.8 mm[.11 in]
Mating Tab Thickness	.8 mm[.031 in]
Interface Plating	Tin (Sn)

#### Termination Features

Termination Method to Wire & Cable	Crimp
Product Terminates To	Wire

#### Dimensions

Compatible Insulation Diameter Range	1.2 – 4.04 mm[.047 – .161 in]
Wire Size	3.3 mm <sup>2</sup>



Wire Size Search	12 AWG
------------------	--------

### Usage Conditions

Insulation Option	Uninsulated
Operating Temperature (Max)	80 °C, 85 °C, 90 °C, 100 °C, 105 °C, 110 °C, 120 °C, 125 °C[176 °F][185 °F][194 °F][212 °F][221 °F][230 °F][248 °F][257 °F]
Operating Temperature Range	-40 – 125 °C[-40 – 257 °F]

### Packaging Features

Packaging Quantity	2300
Packaging Method	Reel

### Product Compliance

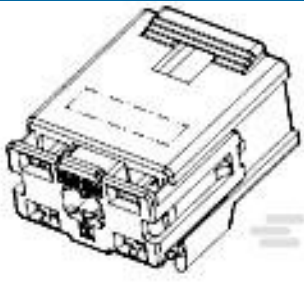
[For compliance documentation, visit the product page on TE.com>](#)

EU RoHS Directive 2011/65/EU	Compliant
EU ELV Directive 2000/53/EC	Compliant
China RoHS 2 Directive MIIT Order No 32, 2016	No Restricted Materials Above Threshold
EU REACH Regulation (EC) No. 1907/2006	Current ECHA Candidate List: JUNE 2023 (235) Candidate List Declared Against: JUNE 2023 (235) Does not contain REACH SVHC
Halogen Content	Low Halogen - Br, Cl, F, I < 900 ppm per homogenous material. Also BFR/CFR/PVC Free
Solder Process Capability	Not applicable for solder process capability

#### Product Compliance Disclaimer

This information is provided based on reasonable inquiry of our suppliers and represents our current actual knowledge based on the information they provided. This information is subject to change. The part numbers that TE has identified as EU RoHS compliant have a maximum concentration of 0.1% by weight in homogenous materials for lead, hexavalent chromium, mercury, PBB, PBDE, DBP, BBP, DEHP, DIBP, and 0.01% for cadmium, or qualify for an exemption to these limits as defined in the Annexes of Directive 2011/65/EU (RoHS2). Finished electrical and electronic equipment products will be CE marked as required by Directive 2011/65/EU. Components may not be CE marked. Additionally, the part numbers that TE has identified as EU ELV compliant have a maximum concentration of 0.1% by weight in homogenous materials for lead, hexavalent chromium, and mercury, and 0.01% for cadmium, or qualify for an exemption to these limits as defined in the Annexes of Directive 2000/53/EC (ELV). Regarding the REACH Regulation, the information TE provides on SVHC in articles for this part number is based on the latest European Chemicals Agency (ECHA) 'Guidance on requirements for substances in articles' posted at this URL: <https://echa.europa.eu/guidance-documents/guidance-on-reach>

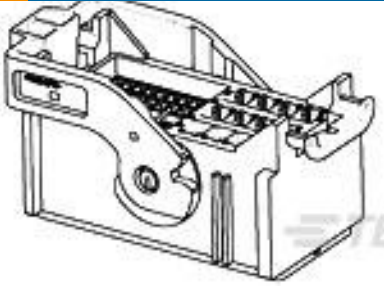
### Compatible Parts

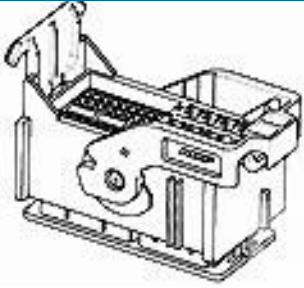
TE Part # 1456471-1  
8p Hybrid 0.64/2.8 Unsealed PI



TE Part # CAT-T319-CH8172  
TH/.025 CONNECTOR SYSTEM,  
HOUSING



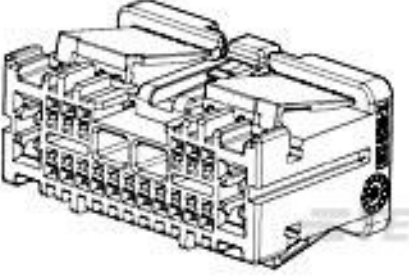
TE Part # 776932-1  
52 pos plug assy, 0.64 and 2.8



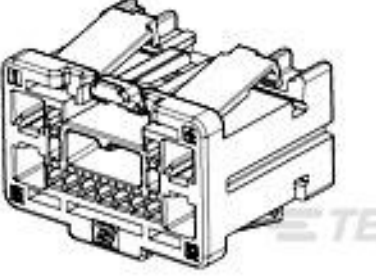
TE Part # 776932-3  
52 pos plug, 0.64 and 2.80mm



TE Part # 1438759-2  
22Way Hybrid 040/2.8 Plug Assy Key  
"C"



TE Part # 1924126-1  
21p Hybrid - 1pc Unsealed Plug, Key A



TE Part # 1924667-1  
13p Hybrid - 1pc Unsealed Plug, Key A



TE Part # 2-2836563-1  
OCEAN\_2.0\_APPLICATOR-S-  
148F148O



TE Part # 2-2836563-2  
OCEAN\_2.0\_APPLICATOR-S-  
148F148O



TE Part # 2203937-1  
52 pos plug assy, 0.64 and 2.8



TE Part # 2203937-5  
52 pos plug assy, 0.64 and 2.8



TE Part # 2836563-1  
OCEAN\_2.0\_APPLICATOR-S-  
148F148O



TE Part # 2836563-2  
OCEAN\_2.0\_APPLICATOR-S-  
148F148O



TE Part # 7-2836563-1  
OCEAN\_2.0\_APPLICATOR-S-  
148F148O



TE Part # 7-2836563-2  
OCEAN\_2.0\_APPLICATOR-S-  
148F148O




TE Part # 7-2836563-7  
OCEAN\_2.0\_SPARE\_PART\_KIT-  
148F148O


Also in the Series | 1.5/2.8 Connector System




Automotive Connector Caps & Covers  
(6)



Automotive Housings(35)



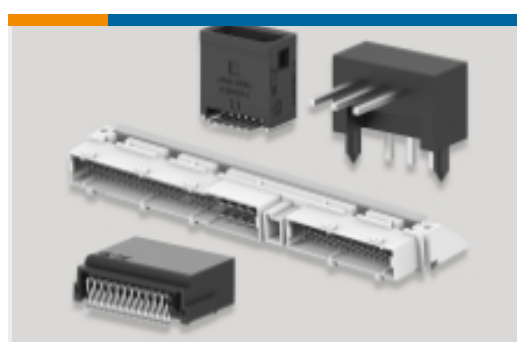
Automotive Terminals(56)



Insertion & Extraction Tools(1)

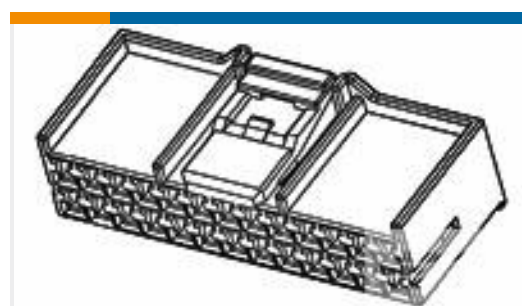
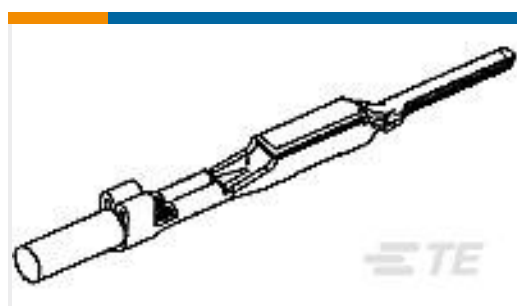
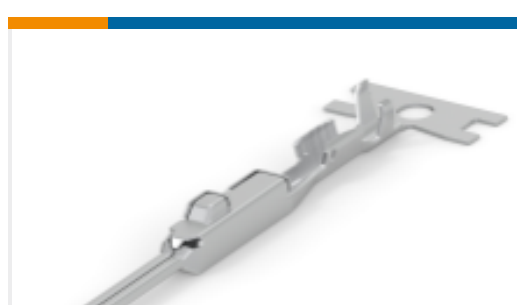


Other Automotive Connector Accessories(1)



PCB Headers &amp; Receptacles(1)

## Customers Also Bought

TE Part #936196-1  
090III 12P PLUG ASSYTE Part #353537-2  
040-3 UNSEALED CONT.TAB(S)GOLDTE Part #1924968-8  
CONTACT, MALE 0.64, 0.35SQMMTE Part #2203990-1  
13P UNSEALED PLUG, ASSY, KEY ATE Part #2203990-2  
13P UNSEALED PLUG, ASSY, KEY BTE Part #2294463-1  
MCON 1.2 CB TAB MONOTE Part #2301238-1  
DTB PLUG HSG ASSY, 49POSN.,  
FAKRA TYPETE Part #2840450-1  
CU ALLOY, OUTER FERRULE, HC-STAK  
25, SIZE 1TE Part #1-936686-1  
UNDER COVER FOR BLMTE Part #2329023-1  
COVER, SPACER SEAL, PLUG, HC-  
STAK 25

## Documents

### Product Drawings

[2.8MM RECP, UNSEAL, 10-12AWG, REV](#)

English

### CAD Files

[3D PDF](#)

3D

### Customer View Model

[ENG\\_CVM\\_CVM\\_1326030-8\\_L.2d\\_dxf.zip](#)



English

Customer View Model

[ENG\\_CVM\\_CVM\\_1326030-8\\_L.3d\\_igs.zip](#)

English

Customer View Model

[ENG\\_CVM\\_CVM\\_1326030-8\\_L.3d\\_stp.zip](#)

English

Customer View Model

[ENG\\_CVM\\_1326030-8\\_H1.3d\\_igs.zip](#)

English

Customer View Model

[ENG\\_CVM\\_1326030-8\\_H1.3d\\_stp.zip](#)

English

Customer View Model

[ENG\\_CVM\\_1326030-8\\_H1.2d\\_dxf.zip](#)

English

[3D PDF](#)

English

By downloading the CAD file I accept and agree to the [Terms and Conditions](#) of use.

[Product Specifications](#)

[Application Specification](#)

English