

131445 ✓ ACTIVE

PLASTI-GRIP

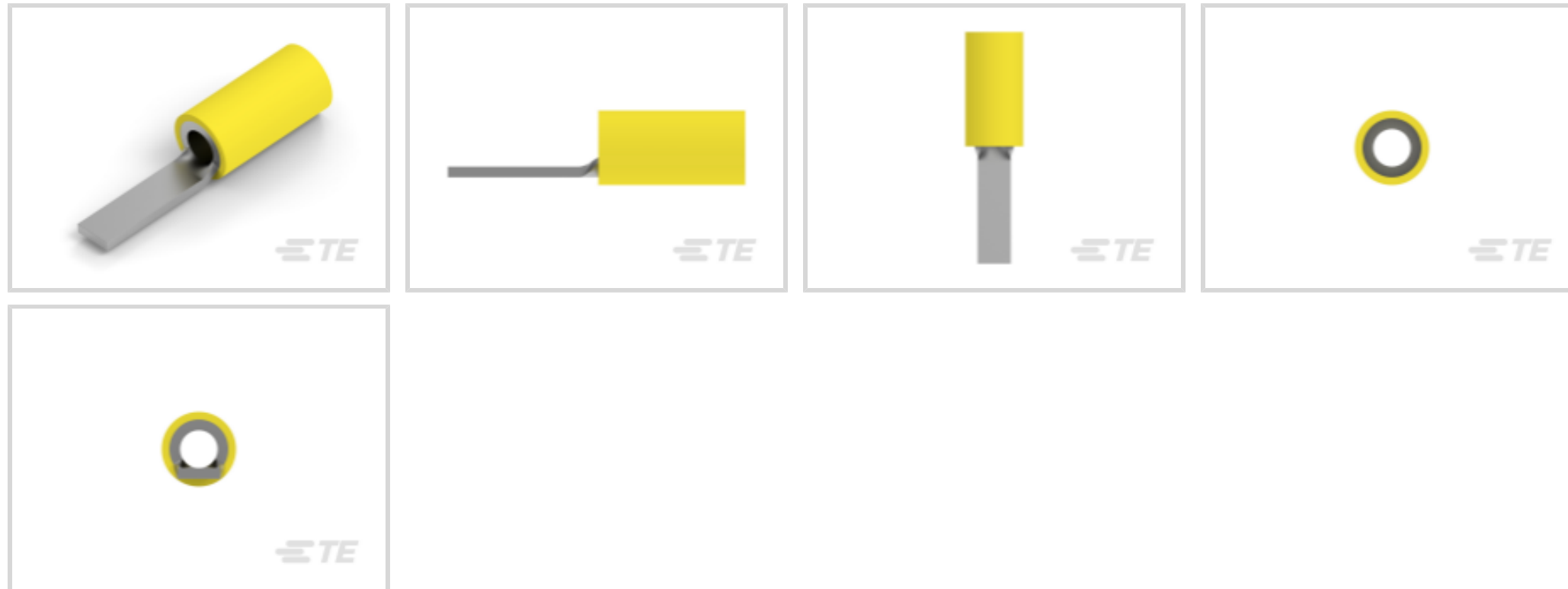
TE Internal #: 131445

Crimp Wire Pins, Tabs & Ferrules, Pin, Mating Tab Width .165 in [4.19 mm], Mating Tab Thickness 1.02 mm [.04 in], 12 – 10 AWG Wire Size, PLASTI-GRIP

[View on TE.com >](#)



Terminals & Splices > Crimp Wire Pins, Tabs & Ferrules



Crimp Wire Terminal Type: Pin

Mating Tab Width: 4.19 mm [.165 in]

Mating Tab Thickness: 1.02 mm [.04 in]

Compatible Insulation Diameter Range: 3.8 – 6.4 mm, 6.4 mm [.149 – .251 in, .252 in]

Wire Size: 12 – 10 AWG

Features

Product Type Features

Sealable	No
Compatible With Discrete Wire Type	Solid, Stranded
Wire Insulation Support Retention Type	Insulation Support

Configuration Features

Compatible With Wire & Cable Type	Discrete Wire
-----------------------------------	---------------

Body Features

Sleeve Material	PVC
Insulation Material	PVC
Primary Product Color	Yellow

Contact Features

Contact Mating Area Length	12.4 mm [.487 in]
Contact Mating Area Plating Material Thickness	3.81 μm [150 μin]
Crimp Wire Terminal Type	Pin
Mating Tab Width	4.19 mm [.165 in]



Mating Tab Thickness	1.02 mm[.04 in]
Barrel Type	Closed
Terminal Plating Material	Tin
Terminal Orientation	Straight

Mechanical Attachment

Wire Insulation Support	With
-------------------------	------

Dimensions

DIN Wire Size	2.5 – 6 mm ²
Compatible Insulation Diameter Range	3.8 – 6.4 mm, 6.4 mm[.149 – .251 in][.252 in]
Wire Size	5180 – 13100 CMA
Barrel Inside Diameter	6.4 mm[.252 in]
Terminal Material Thickness	.8 mm[.032 in]
Overall Product Length	29.4 mm[1.158 in]

Usage Conditions

Insulation Option	Partially Insulated
Operating Temperature Range	105 °C[221 °F]

Packaging Features

Packaging Quantity	500
Packaging Method	Bag

Product Compliance

[For compliance documentation, visit the product page on TE.com>](#)

EU RoHS Directive 2011/65/EU	Compliant
EU ELV Directive 2000/53/EC	Compliant
China RoHS 2 Directive MIIT Order No 32, 2016	No Restricted Materials Above Threshold
EU REACH Regulation (EC) No. 1907/2006	Current ECHA Candidate List: JUNE 2023 (235) Candidate List Declared Against: JUNE 2023 (235) Does not contain REACH SVHC
Halogen Content	Not Low Halogen - contains Br or Cl > 900 ppm.
Solder Process Capability	Not applicable for solder process capability

Product Compliance Disclaimer

This information is provided based on reasonable inquiry of our suppliers and represents our current actual knowledge based on the information they provided. This information is subject to change. The part numbers that TE has identified as EU RoHS compliant have a maximum concentration of 0.1% by weight in homogenous materials for lead, hexavalent chromium, mercury, PBB, PBDE, DBP, BBP, DEHP, DIBP, and 0.01% for cadmium, or qualify for an exemption to these limits as defined in the Annexes of Directive 2011/65/EU (RoHS2). Finished electrical and electronic equipment products will be CE marked as required by Directive 2011/65/EU. Components may not be CE marked. Additionally, the part numbers that TE has identified as EU ELV compliant have a maximum concentration of 0.1% by weight in homogenous materials for lead, hexavalent chromium, and mercury, and 0.01% for cadmium, or qualify for an exemption to these limits as defined in the Annexes of Directive 2000/53/EC (ELV). Regarding the REACH Regulation, the information TE provides on SVHC in articles for this part number is based on the latest European Chemicals Agency (ECHA) 'Guidance on requirements for substances in articles' posted at this URL: <https://echa.europa.eu/guidance-documents/guidance-on-reach>

Compatible Parts



Also in the Series | **PLASTI-GRIP**



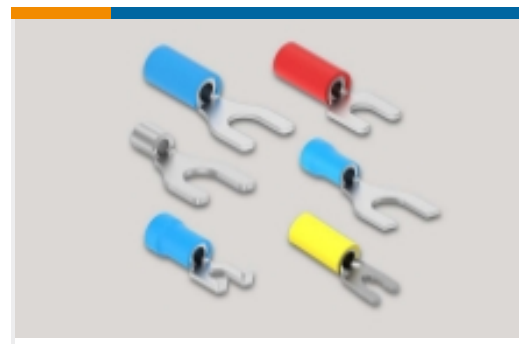
Compression Connectors(3)



Crimp Wire Pins, Tabs & Ferrules(25)



Ring Terminals(333)



Spade Terminals(195)



Splices(50)

Customers Also Bought



TE Part #160056
SOLIS 8 R 10MM



TE Part #201910-1
JACKSCREW KIT



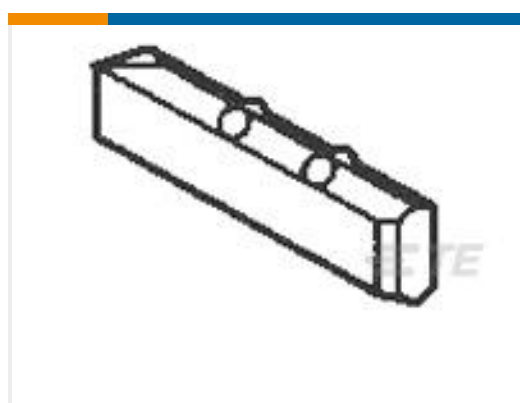
TE Part #35492
PG RING 12-10 1/4 STUD



TE Part #EC1135-000
Z-Type Push-On Markers



TE Part #184392-1
2X2 PLG ASY, KEY A, W/O CPA C3



TE Part #582501-1
KEYING PLUG, AMP LEAF

Documents

Product Drawings
[PG, WIRE TAB, 12-10](#)

English

CAD Files

[3D PDF](#)

[3D](#)

[Customer View Model](#)

[ENG_CVM_CVM_131445_C.2d_dxf.zip](#)



English

Customer View Model

[ENG_CVM_CVM_131445_C.3d_igs.zip](#)

English

Customer View Model

[ENG_CVM_CVM_131445_C.3d_stp.zip](#)

English

By downloading the CAD file I accept and agree to the [Terms and Conditions](#) of use.

Product Specifications

[Application Specification](#)

English

Product Environmental Compliance

[TE Material Declaration](#)

English

Agency Approvals

[UL Report](#)

English