



MQS

TE Internal #: 1241608-1

Automotive Terminals, Receptacle, Mating Tab Width 1.5 mm [.059 in], Tab Thickness .63 mm [.024 in], 18 – 15 AWG Wire Size, MQS

[View on TE.com >](#)

Terminals & Splices > Automotive Terminals > MQS, RECEPTACLE AND TAB



Terminal Type: **Receptacle**

Mating Tab Width: **1.5 mm [.059 in]**

Mating Tab Thickness: **.63 mm [.024 in]**

Terminal Transmits: **0 – 24 A (Low Power)**

Wire Size: **18 – 15 AWG**

[All MQS, RECEPTACLE AND TAB \(126\)](#)

Features

Product Type Features

Receptacle Style	180°
Sealable	No
Primary Locking Feature	Clean Body

Contact Features

Contact Size	1.5mm
Contact Fabrication	Stamped & Formed
Wire Contact Termination Area Plating Material	Tin
Typical Current Rating	7.5 A
Crimp Type	F-Crimp
Terminal Type	Receptacle
Mating Tab Width	1.5 mm[.059 in]
Mating Tab Thickness	.63 mm[.024 in]
Interface Plating	Tin (Sn)

Termination Features

Termination Method to Wire & Cable	Crimp
Product Terminates To	Wire

Dimensions

Compatible Insulation Diameter Range	1.7 – 2.4 mm [.067 – .094 in]
Wire Size	.75 – 1.5 mm ²
Wire Size Search	15 AWG, 16 AWG, 17 AWG, 18 AWG

Usage Conditions

Insulation Option	Uninsulated
Operating Temperature (Max)	80 °C, 85 °C, 90 °C, 100 °C, 105 °C, 110 °C, 120 °C [176 °F][185 °F][194 °F][212 °F][221 °F][230 °F][248 °F]
Operating Temperature Range	-40 – 120 °C [-40 – 248 °F]

Operation/Application

Compatible With Wire Base Material	Copper
------------------------------------	--------

Packaging Features

Packaging Quantity	8500
Packaging Method	Reel

Other

Terminal Transmits	0 – 24 A (Low Power)
--------------------	----------------------

Product Compliance

[For compliance documentation, visit the product page on TE.com>](#)

EU RoHS Directive 2011/65/EU	Compliant
EU ELV Directive 2000/53/EC	Compliant
China RoHS 2 Directive MIIT Order No 32, 2016	No Restricted Materials Above Threshold
EU REACH Regulation (EC) No. 1907/2006	Current ECHA Candidate List: JAN 2023 (233) Candidate List Declared Against: JAN 2023 (233) Does not contain REACH SVHC
Halogen Content	Low Halogen - Br, Cl, F, I < 900 ppm per homogenous material. Also BFR/CFR/PVC Free
Solder Process Capability	Not applicable for solder process capability

Product Compliance Disclaimer

This information is provided based on reasonable inquiry of our suppliers and represents our current actual knowledge based on the information they provided. This information is subject to change. The part numbers that TE has identified as EU RoHS compliant have a maximum concentration of 0.1% by weight in homogenous materials for lead, hexavalent

chromium, mercury, PBB, PBDE, DBP, BBP, DEHP, DIBP, and 0.01% for cadmium, or qualify for an exemption to these limits as defined in the Annexes of Directive 2011/65/EU (RoHS2). Finished electrical and electronic equipment products will be CE marked as required by Directive 2011/65/EU. Components may not be CE marked. Additionally, the part numbers that TE has identified as EU ELV compliant have a maximum concentration of 0.1% by weight in homogenous materials for lead, hexavalent chromium, and mercury, and 0.01% for cadmium, or qualify for an exemption to these limits as defined in the Annexes of Directive 2000/53/EC (ELV). Regarding the REACH Regulation, the information TE provides on SVHC in articles for this part number is based on the latest European Chemicals Agency (ECHA) 'Guidance on requirements for substances in articles' posted at this URL: <https://echa.europa.eu/guidance-documents/guidance-on-reach>

Compatible Parts



TE Part # CAT-M8793-CH8172
MQS, CONNECTOR HOUSING



TE Part # 6-1579007-0
EXTRACTION TOOL



TE Part # 1-1579018-4
EXTRACTION TOOL



TE Part # 2209544-9
60P, PLUG ASSY, NORMAL CODING



TE Part # 2209545-1
94P, MQS CB, REC HSG, ASSY, SEALED



TE Part # 2-2151066-1
OCEAN_2.0_APPLICATOR-S-080F1000



TE Part # 2-2151066-2
OCEAN_2.0_APPLICATOR-S-080F1000



TE Part # 2151066-1
OCEAN_2.0_APPLICATOR-S-080F1000



TE Part # 2151066-2
OCEAN_2.0_APPLICATOR-S-080F1000



TE Part # 2208277-3
60POS MQS REC SEALED



TE Part # 2209544-1
60P, MQS CB, REC HSG, ASSY, SEALED



TE Part # 2305570-1
Strip Terminal Cutter-Side Feed-No Crimp



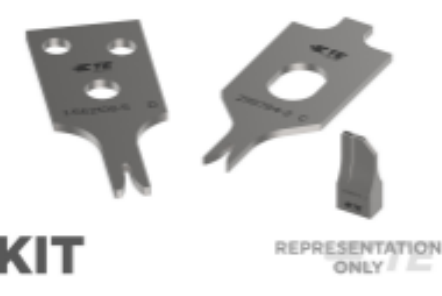
TE Part # 7-1893681-1
KIT FOR MINI APPLICATOR



TE Part # 7-2151066-1
OCEAN_2.0_APPLICATOR-S-080F1000



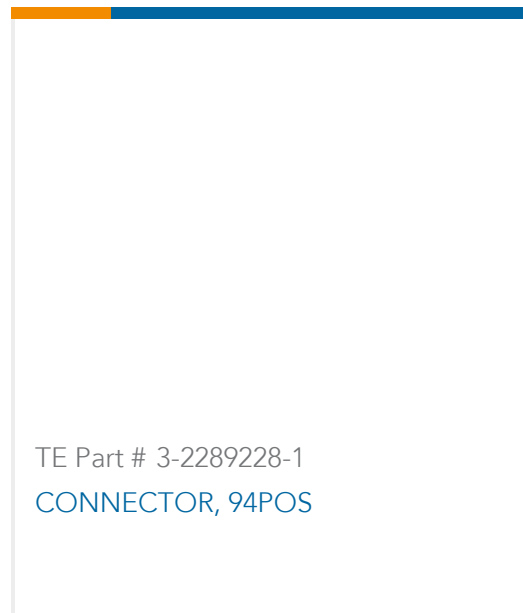
TE Part # 7-2151066-2
OCEAN_2.0_APPLICATOR-S-080F1000



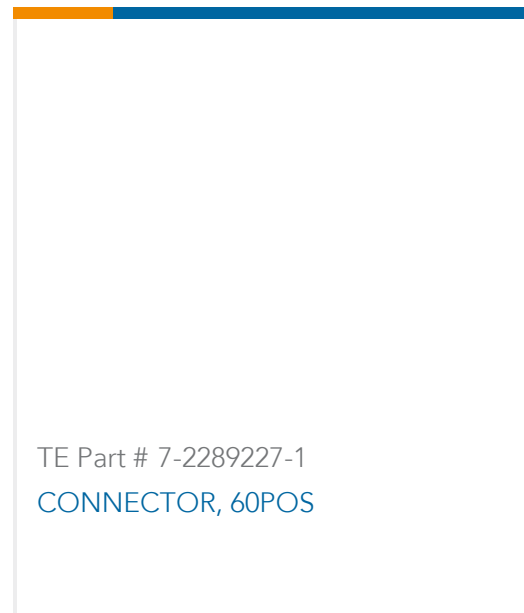
TE Part # 7-2151066-7
OCEAN_2.0_SPARE_PART_KIT-080F1000



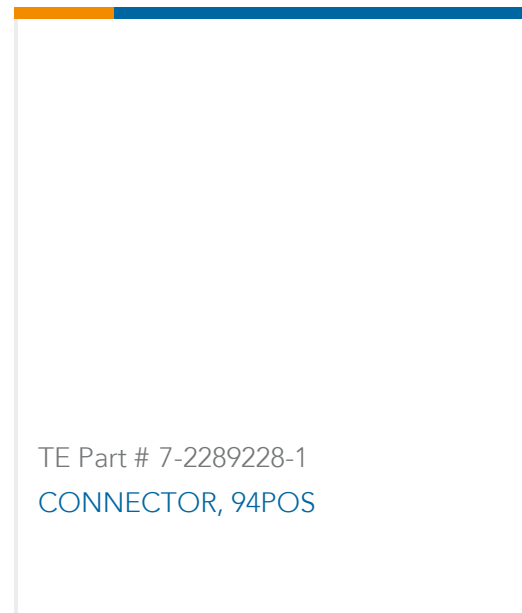
TE Part # 3-1893681-1
MINI APPLICATOR SIDE FEED



TE Part # 3-2289228-1
CONNECTOR, 94POS



TE Part # 7-2289227-1
CONNECTOR, 60POS



TE Part # 7-2289228-1
CONNECTOR, 94POS

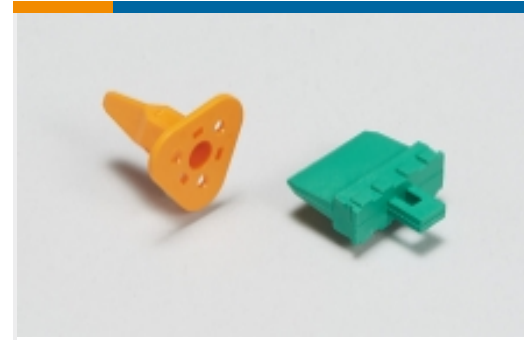
Also in the Series | MQS



Automotive Connector Caps & Covers
(135)



Automotive Connector EMC Shielding
(2)



Automotive Connector Locks &
Position Assurance(29)



Automotive Housings(502)



Automotive Seals & Cavity Plugs(27)



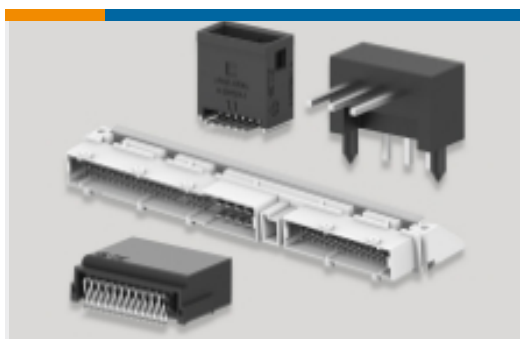
Automotive Terminals(103)



Insertion & Extraction Tools(42)



Other Automotive Connector
Accessories(13)

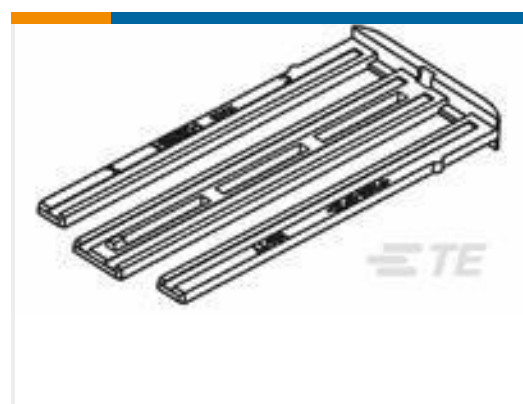


PCB Headers & Receptacles(206)

Customers Also Bought



TE Part #2-1355123-3
MQS, CONNECTOR HOUSING



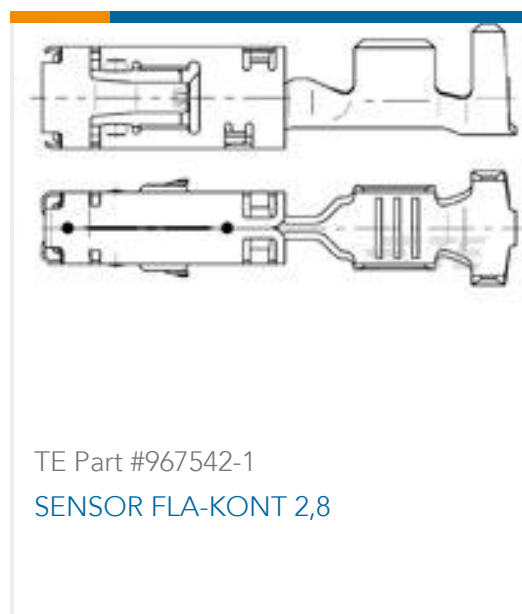
TE Part #1-1355118-1
RETAINER FOR 60POS SOCKET HSG



TE Part #1674928-1
0.64 III/1.0 III 35POS PLUG ASSY (B)



TE Part #1452158-1
MQS, RECEPTACLE AND TAB



Documents

Product Drawings

[MQS1,5 Sn rec CB unseal. 0,75-1,5](#)

English

[MQS1,5 Sn rec CB unseal. 0,75-1,5](#)

English

CAD Files

[3D PDF](#)

3D

Customer View Model

[ENG_CVM_CVM_1241608-1_C.2d_dxf.zip](#)

English

Customer View Model

[ENG_CVM_CVM_1241608-1_C.3d_igs.zip](#)

English

Customer View Model

[ENG_CVM_CVM_1241608-1_C.3d_stp.zip](#)

English

By downloading the CAD file I accept and agree to the [Terms and Conditions](#) of use.

Datasheets & Catalog Pages

[Micro Quadlok Interconnection System \(MQS\)](#)

English

Product Specifications

[Application Specification](#)

English

[Application Specification](#)

English