



DEUTSCH

TE Internal #: 12333-20

Connector Contacts, Socket, Gold Flash, Gold Flash, Size Size 20, 24 – 20 AWG Wire Size, .25 – .5 mm² Wire Size, Crimp

[View on TE.com >](#)

Connectors > Rectangular Connectors > Connector Contacts



Contact Type: **Socket**

Contact Mating Area Plating Material: **Gold Flash**

Wire Contact Termination Area Plating Material: **Gold Flash**

Contact Size: **Size 20**

Wire Size: **24 – 20 AWG**

Features

Contact Features

Contact Underplating Material	Palladium Nickel
Contact Type	Socket
Contact Mating Area Plating Material	Gold Flash
Wire Contact Termination Area Plating Material	Gold Flash
Contact Size	Size 20
Contact Current Rating (Max)	7.5 A

Termination Features

Termination Method to Wire & Cable	Crimp
------------------------------------	-------

Dimensions

Wire Size	.25 – .5 mm ²
-----------	--------------------------

Product Compliance

[For compliance documentation, visit the product page on TE.com>](#)

EU RoHS Directive 2011/65/EU	Compliant with Exemptions
EU ELV Directive 2000/53/EC	Compliant
China RoHS 2 Directive MIIT Order No 32, 2016	Restricted Materials Above Threshold
EU REACH Regulation (EC) No. 1907/2006	Current ECHA Candidate List: JUNE 2023 (235)



Candidate List Declared Against: JAN 2023
(233)

SVHC > Threshold:

Pb (.5% in Component Part)

Article Safe Usage Statements:

Do not eat, drink or smoke when using this product. Wash thoroughly after handling. Recycle if possible and dispose of the article by following all applicable governmental regulations relevant to your geographic location.

Halogen Content

Low Halogen - Br, Cl, F, I < 900 ppm per homogenous material. Also BFR/CFR/PVC Free

Solder Process Capability

Not reviewed for solder process capability

Product Compliance Disclaimer

This information is provided based on reasonable inquiry of our suppliers and represents our current actual knowledge based on the information they provided. This information is subject to change. The part numbers that TE has identified as EU RoHS compliant have a maximum concentration of 0.1% by weight in homogenous materials for lead, hexavalent chromium, mercury, PBB, PBDE, DBP, BBP, DEHP, DIBP, and 0.01% for cadmium, or qualify for an exemption to these limits as defined in the Annexes of Directive 2011/65/EU (RoHS2). Finished electrical and electronic equipment products will be CE marked as required by Directive 2011/65/EU. Components may not be CE marked. Additionally, the part numbers that TE has identified as EU ELV compliant have a maximum concentration of 0.1% by weight in homogenous materials for lead, hexavalent chromium, and mercury, and 0.01% for cadmium, or qualify for an exemption to these limits as defined in the Annexes of Directive 2000/53/EC (ELV). Regarding the REACH Regulation, the information TE provides on SVHC in articles for this part number is based on the latest European Chemicals Agency (ECHA) 'Guidance on requirements for substances in articles' posted at this URL: <https://echa.europa.eu/guidance-documents/guidance-on-reach>

Compatible Parts



TE Part # 12331-20
CONT PIN

Customers Also Bought



TE Part #38946-12
CONT SOC ASSY



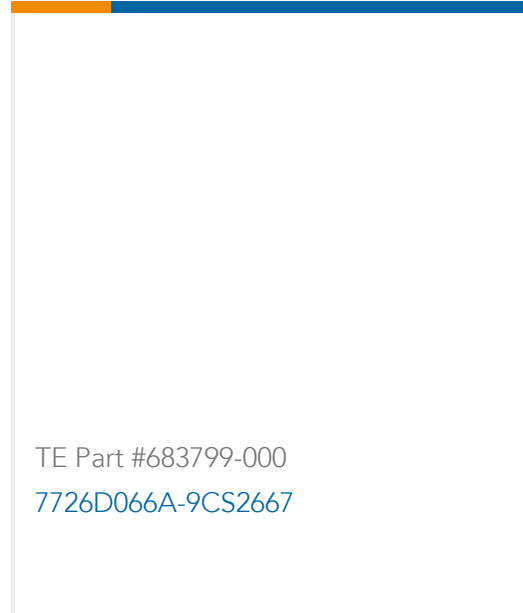
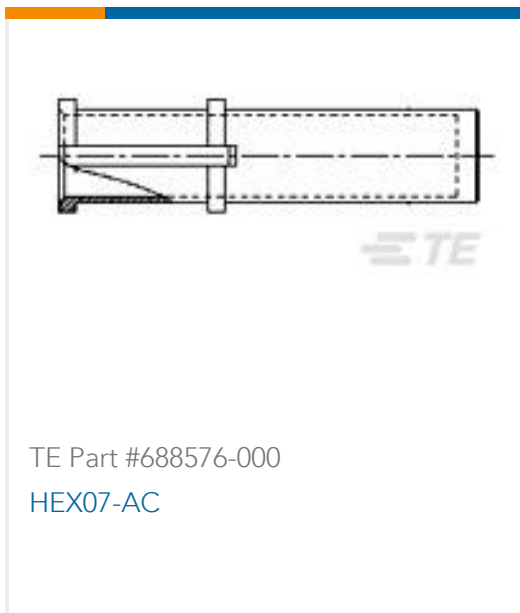
TE Part #12331-22
CONT PIN (182-0441-22)



TE Part #12333-22
CONT SOC ASSY



TE Part #36918
TERMINAL,SOLIS R 1/0 7/16



Documents

Product Drawings

[CONT SOC ASSY](#)

English

CAD Files

[3D PDF](#)

3D

Customer View Model

[ENG_CVM_CVM_12333-20_1.2d_dxf.zip](#)

English

Customer View Model

[ENG_CVM_CVM_12333-20_1.3d_igs.zip](#)

English

Customer View Model

[ENG_CVM_CVM_12333-20_1.3d_stp.zip](#)

English

By downloading the CAD file I accept and agree to the [Terms and Conditions](#) of use.