



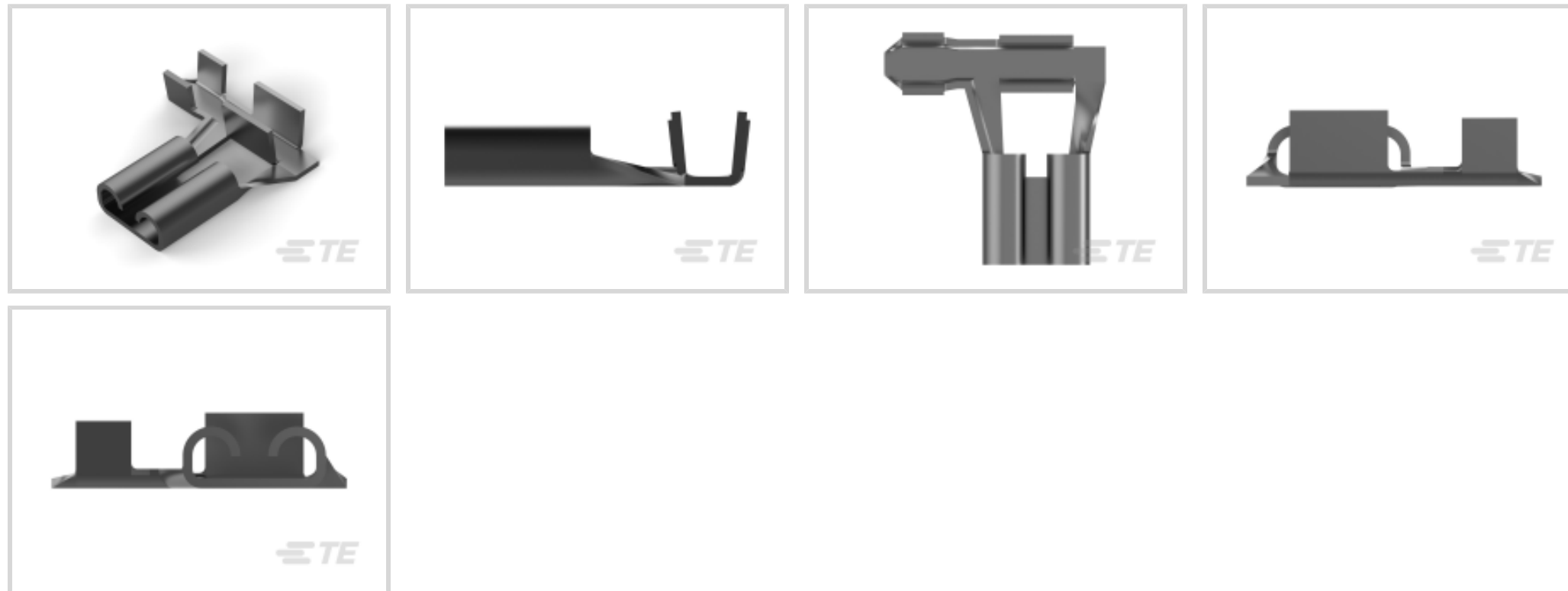
AMPLIVAR

TE Internal #: 1217955-1

Quick Disconnects, Receptacle, 18 – 14 AWG Wire Size, .82 – 2.08 mm² Wire Size, 2000 – 4050 CMA Wire Size, AMPLIVAR

[View on TE.com >](#)

Terminals & Splices > Quick Disconnects



Quick Disconnect Terminal Type: **Receptacle**

Wire Size: **2000 – 4050 CMA**

Mating Tab Width: **4.75 mm [.187 in]**

Features

Product Type Features

Compatible With Discrete Wire Type	Magnet Wire
Insertion Force	Normal

Configuration Features

Connection Capacity	Single
---------------------	--------

Contact Features

Quick Disconnect Terminal Type	Receptacle
Mating Tab Width	4.75 mm [.187 in]
Mating Tab Thickness	.81 mm [.032 in]
Terminal Orientation	Flag
Contact Base Material	Brass
Terminal Plating Material	Tin
Crimp Type	F-Crimp
Barrel Type	Open

Termination Features

Product Terminates To	Wire & Cable
-----------------------	--------------

Mechanical Attachment

Wire Insulation Support	With
-------------------------	------

Dimensions

Terminal Material Thickness	.41 mm[.016 in]
Product Length	11.05 mm[.435 in]
Compatible Insulation Diameter Range	.51 – 1.02 mm[.02 – .04 in]
Wire Size	2000 – 4050 CMA

Usage Conditions

Insulation Option	Uninsulated
Operating Temperature Range	-40 – 105 °C[-40 – 221 °F]

Packaging Features

Packaging Quantity	15000
Packaging Method	Strip

Product Compliance

[For compliance documentation, visit the product page on TE.com>](#)

EU RoHS Directive 2011/65/EU	Compliant
EU ELV Directive 2000/53/EC	Compliant
China RoHS 2 Directive MIIT Order No 32, 2016	No Restricted Materials Above Threshold
EU REACH Regulation (EC) No. 1907/2006	Current ECHA Candidate List: JUNE 2023 (235) Candidate List Declared Against: JUNE 2023 (235) Does not contain REACH SVHC
Halogen Content	Low Halogen - Br, Cl, F, I < 900 ppm per homogenous material. Also BFR/CFR/PVC Free
Solder Process Capability	Not applicable for solder process capability

Product Compliance Disclaimer

This information is provided based on reasonable inquiry of our suppliers and represents our current actual knowledge based on the information they provided. This information is subject to change. The part numbers that TE has identified as EU RoHS compliant have a maximum concentration of 0.1% by weight in homogenous materials for lead, hexavalent chromium, mercury, PBB, PBDE, DBP, BBP, DEHP, DIBP, and 0.01% for cadmium, or qualify for an exemption to these limits as defined in the Annexes of Directive 2011/65/EU (RoHS2). Finished electrical and electronic equipment products will be CE marked as required by Directive 2011/65/EU. Components may not be CE marked. Additionally, the part numbers that TE has identified as EU ELV compliant have a maximum concentration of 0.1% by weight in homogenous materials for lead, hexavalent chromium, and mercury, and 0.01% for cadmium, or qualify for an exemption to these limits as defined in the Annexes of Directive 2000/53/EC (ELV). Regarding the REACH Regulation, the information TE provides on SVHC in articles for this part number is based on the latest European Chemicals Agency (ECHA) 'Guidance on requirements for substances in articles' posted at this URL: <https://echa.europa.eu/guidance-documents/guidance-on-reach>

Compatible Parts



TE Part # 63481-1
RCPT STATOR 21-15 0173PTPBR



TE Part # 63941-1
RCPT 187 FL/FAST AMVR 0157TPBR



TE Part # 63942-1
RCPT,187 FL/FAST/AMVR 0157TPBR



TE Part # 1742882-1
250 FAST FLG RCPT AMVAR TPBR



TE Part # 1742977-1
250FAST FLG RCPT AMVAR TPBR
CMA1500-4220



TE Part # 1742678-2
187 RCPT FAST AMVR 0157TPPB



TE Part # 1742979-1
250FAST FLG RCPT AMVAR TPBR
CMA4000-8500



TE Part # 1217417-1
RCPT.187 FL/FAST AMVR .157TPB



TE Part # 1217624-1
.187 FAST FL AMVR 0157 TPBR



TE Part # 1217835-1
RECP AMVAR 250 FAST 016BR



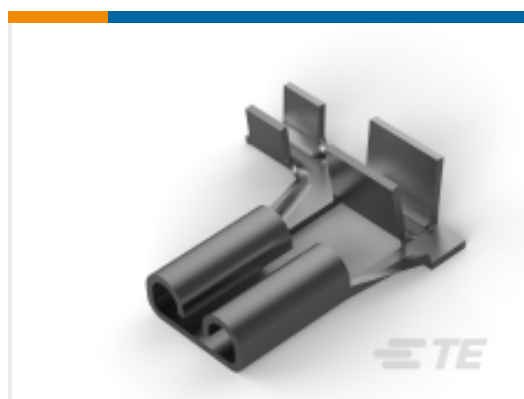
TE Part # 1599721-1
TAB REC, STATOR, AMPLIVAR



TE Part # 1742881-1
250 FAST FLG RCPT AMVAR TPBR



TE Part # 505081-1
AMPLIVAR .248 DUAL BLADE PTPBR



TE Part # 63940-1
RCPT.187 FL/FAST AMVR 0157TPB



TE Part # 566429-1
PIGTAIL SPL "G" EAPR110F120F

Also in the Series | **AMPLIVAR**



Crimp Wire Pins, Tabs & Ferrules(5)



Magnet Wire Terminals(4)



PCB Terminals(1)



Quick Disconnects(41)

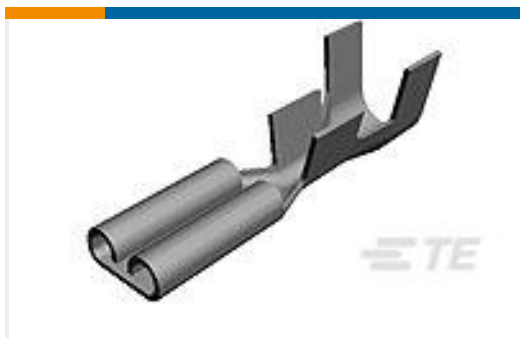


Ring Terminals(28)



Splices(77)

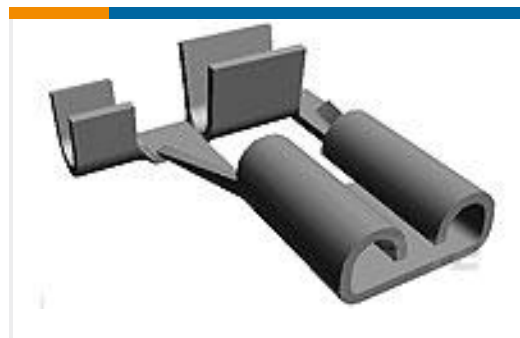
Customers Also Bought



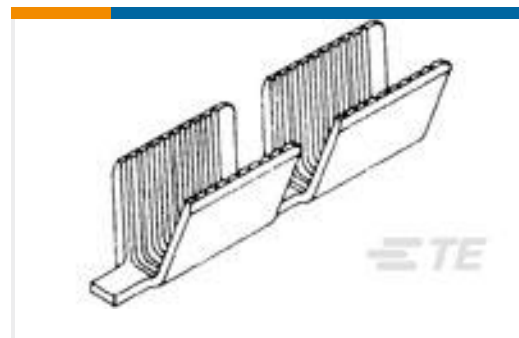
TE Part #42068-1
110 FASTON REC 22-18 AWG TPBR



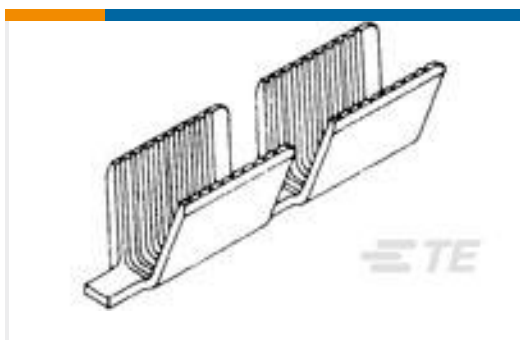
TE Part #42800-2
187 FASTON REC 20-16 AWG TPBR



TE Part #63941-1
RCPT 187 FL/FAST AMVR 0157TPBR



TE Part #62306-2
AMVAR SPLC 1500-5000 020TPBR



TE Part #62304-2
AMVAR SPLC 600-3000 020TPBR



TE Part #1742685-1
FASTON 187 TERMINAL-FLAG REC 18 AWG TPBR



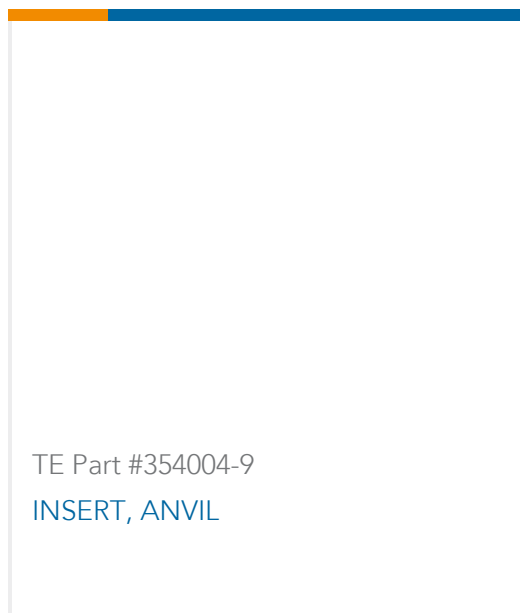
TE Part #2390748-1
250 FASTON FLAG HOUSING 2P, NAT



TE Part #1-2161790-2
ASSEMBLY, TOOLING, SPLICE



TE Part #2217620-1
BLADE, SHEAR



TE Part #354004-9
INSERT, ANVIL

Documents



Product Drawings

[.187 FAST FL AMVAR 0157 TPBR](#)

English

CAD Files

[3D PDF](#)

3D

Customer View Model

[ENG_CVM_CVM_1217955-1_E.2d_dxf.zip](#)

English

Customer View Model

[ENG_CVM_CVM_1217955-1_E.3d_igs.zip](#)

English

Customer View Model

[ENG_CVM_CVM_1217955-1_E.3d_stp.zip](#)

English

By downloading the CAD file I accept and agree to the [Terms and Conditions](#) of use.

Datasheets & Catalog Pages

[82004 FASTON Terminals \(Insulated and Uninsulated\) Catalog - FASTON Receptacles Section](#)

English

Product Specifications

[Application Specification](#)

English

Product Environmental Compliance

[TE Material Declaration](#)

English
