

1217606-1 ✓ ACTIVE



## SHUR-PLUG 156

TE Internal #: 1217606-1

Crimp Wire Pins, Tabs & Ferrules, Shur-Plug, Mating Pin Diameter

3.96 mm [.156 in], 18 – 14 AWG Wire Size, .8 – 2 mm<sup>2</sup> Wire Size,

SHUR-PLUG 156

[View on TE.com >](#)

Terminals & Splices > Crimp Wire Pins, Tabs & Ferrules



Crimp Wire Terminal Type: **Shur-Plug**

Mating Pin Diameter: **3.96 mm [.156 in]**

Wire Size: **1624 – 4106 CMA**

### Features

#### Product Type Features

Compatible With Discrete Wire Type	Stranded
------------------------------------	----------

#### Configuration Features

Compatible With Wire & Cable Type	Discrete Wire
-----------------------------------	---------------

#### Contact Features

Crimp Wire Terminal Type	Shur-Plug
Mating Pin Diameter	3.96 mm [.156 in]
Barrel Type	Closed
Terminal Plating Material	Pre-Tin
Terminal Orientation	Straight

#### Mechanical Attachment

Wire Insulation Support	Without
-------------------------	---------

#### Dimensions

Wire Size	1624 – 4106 CMA
Barrel Inside Diameter	1.52 mm [.06 in]
Terminal Material Thickness	.46 mm [.018 in]



Overall Product Length	20.45 mm[.805 in]
------------------------	-------------------

### Usage Conditions

Insulation Option	Uninsulated
Operating Temperature Range	-40 – 105 °C[-40 – 221 °F]

### Packaging Features

Packaging Quantity	12000
Packaging Method	Reel

### Other

Terminals & Splices Comment	Enlarged mold stop.
-----------------------------	---------------------

## Product Compliance

[For compliance documentation, visit the product page on TE.com>](#)

EU RoHS Directive 2011/65/EU	Compliant
EU ELV Directive 2000/53/EC	Compliant
China RoHS 2 Directive MIIT Order No 32, 2016	No Restricted Materials Above Threshold
EU REACH Regulation (EC) No. 1907/2006	Current ECHA Candidate List: JUNE 2023 (235) Candidate List Declared Against: JUNE 2023 (235) Does not contain REACH SVHC
Halogen Content	Low Halogen - Br, Cl, F, I < 900 ppm per homogenous material. Also BFR/CFR/PVC Free
Solder Process Capability	Not applicable for solder process capability

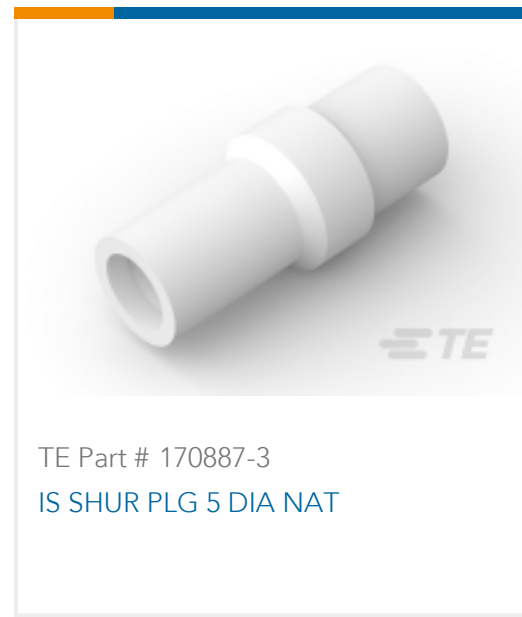
#### Product Compliance Disclaimer

This information is provided based on reasonable inquiry of our suppliers and represents our current actual knowledge based on the information they provided. This information is subject to change. The part numbers that TE has identified as EU RoHS compliant have a maximum concentration of 0.1% by weight in homogenous materials for lead, hexavalent chromium, mercury, PBB, PBDE, DBP, BBP, DEHP, DIBP, and 0.01% for cadmium, or qualify for an exemption to these limits as defined in the Annexes of Directive 2011/65/EU (RoHS2). Finished electrical and electronic equipment products will be CE marked as required by Directive 2011/65/EU. Components may not be CE marked. Additionally, the part numbers that TE has identified as EU ELV compliant have a maximum concentration of 0.1% by weight in homogenous materials for lead, hexavalent chromium, and mercury, and 0.01% for cadmium, or qualify for an exemption to these limits as defined in the Annexes of Directive 2000/53/EC (ELV). Regarding the REACH Regulation, the information TE provides on SVHC in articles for this part number is based on the latest European Chemicals Agency (ECHA) 'Guidance on requirements for substances in articles' posted at this URL: <https://echa.europa.eu/guidance-documents/guidance-on-reach>

## Compatible Parts



TE Part # 170889-2  
SLEEVE DIA3 SHUR PLUG NAT



TE Part # 170887-3  
IS SHUR PLG 5 DIA NAT



TE Part # 170889-3  
SLEEVE DIA5 SHUR PLUG NAT



TE Part # 1742039-1  
SHUR PLUG .156 DIA REC 10-14 AWG  
PTPBR



TE Part # 170889-1  
SLEEVE DIA5 SHUR PLUG NAT



TE Part # 170887-1  
SLEEVE DIA5 SHUR PLUG NAT



TE Part # 170887-4  
SLEEVE DIA5 SHUR PLUG NAT



TE Part # 62829-3  
156 SHUR PLUG 018 PTPBR



TE Part # 63925-1  
SHUR PLUG .156 Dia 14-12 AWG  
PTPBR



TE Part # 2-2150648-1  
OCEAN\_2.0\_APPLICATOR-E-110F



TE Part # 2-2150648-2  
OCEAN\_2.0\_APPLICATOR-E-110FA



TE Part # 2150648-1  
OCEAN\_2.0\_APPLICATOR-E-110F



TE Part # 2150648-2  
OCEAN\_2.0\_APPLICATOR-E-110FA



TE Part # 444154-2  
SHUR PLUG 180 0.5-1.0MM2 0.45X27.6  
PTPBR



TE Part # 7-2150648-1  
OCEAN\_2.0\_APPLICATOR-E-110F



TE Part # 7-2150648-2  
OCEAN\_2.0\_APPLICATOR-E-110FA



**KIT**  
REPRESENTATION ONLY  
TE Part # 7-2150648-7  
OCEAN\_2.0\_SPARE\_PART\_KIT-110F



TE Part # 881720-3  
180 SHUR PWG RECEPT

Also in the Series | **SHUR-PLUG 156**

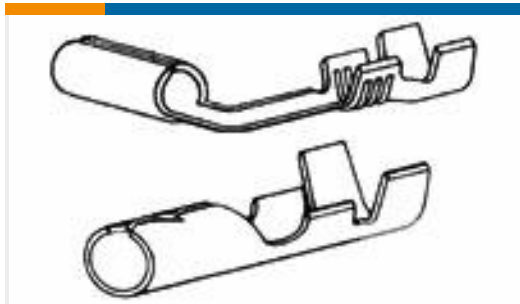


Crimp Wire Pins, Tabs & Ferrules(30)



Special Purpose Terminals(1)

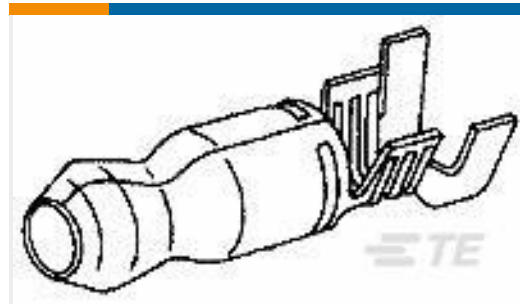
## Customers Also Bought



TE Part #42142-1  
SHUR PLUG TERMINAL 18-14 AWG  
TPBR



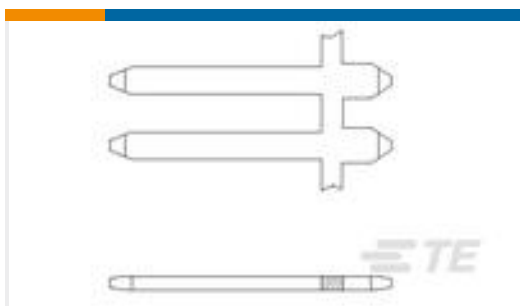
TE Part #40725  
RING 190(4.82MM)TERMINAL 18-14  
AWG TPBR



TE Part #60660-1  
SHUR PLUG 180 18-14 AWG TPBR



TE Part #1217070-1  
SHUR PLUG 180 RECEPTACLE 12-8  
AWG TPBR



TE Part #147506-2  
MOD I POST PLTD SN



TE Part #1803002-8  
Anvil, Combination, End Feed



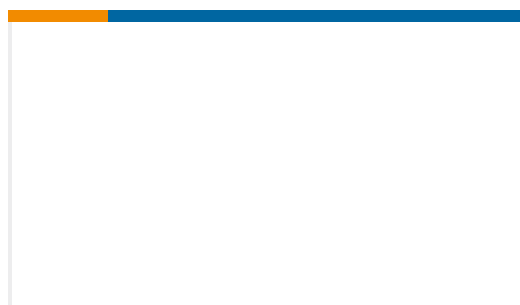
TE Part #1803454-1  
CRIMPER, WIRE F



TE Part #61904-1  
GROUNDING TERMINAL 20-16 AWG  
SST



TE Part #240639-4  
STRIPPER \*\*1



TE Part #690501-1  
CAM, TERMINAL FEED

## Documents

### Product Drawings

[.156 DIA SHUR PLUG PTPBR](#)

English

### CAD Files

[3D PDF](#)

[3D](#)

### Customer View Model

[ENG\\_CVM\\_CVM\\_1217606-1\\_G1.2d\\_dxf.zip](#)



English

**Customer View Model**

[ENG\\_CVM\\_CVM\\_1217606-1\\_G1.3d\\_igs.zip](#)

English

**Customer View Model**

[ENG\\_CVM\\_CVM\\_1217606-1\\_G1.3d\\_stp.zip](#)

English

By downloading the CAD file I accept and agree to the [Terms and Conditions](#) of use.

## Product Specifications

[Product Specification](#)

English