

1217580-1 ✓ ACTIVE



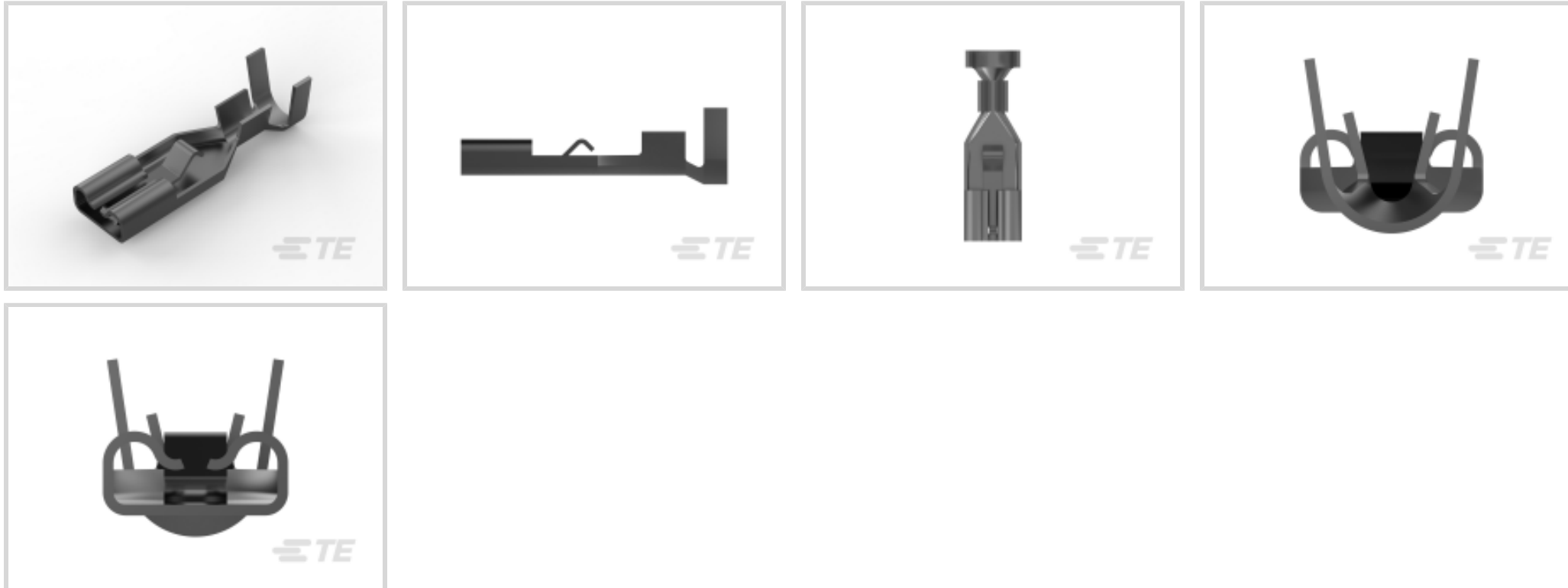
Positive Lock | Mark II, Positive Lock 187

TE Internal #: 1217580-1

Quick Disconnects, Receptacle, 20 – 16 AWG Wire Size, .51 – 1.31 mm² Wire Size, Mating Tab Width 4.75 mm [.187 in], Straight, Brass, Positive Lock 187

[View on TE.com >](#)

Terminals & Splices > Quick Disconnects



Quick Disconnect Terminal Type: **Receptacle**

Wire Size: .51 – 1.31 mm²

Mating Tab Width: 4.75 mm [.187 in]

Mating Tab Thickness: .64 mm [.025 in]

Features

Product Type Features

Insertion Force	Low
-----------------	-----

Configuration Features

Connection Capacity	Single
Compatible With Wire & Cable Type	Discrete Wire

Contact Features

Quick Disconnect Terminal Type	Receptacle
Mating Tab Width	4.75 mm [.187 in]
Mating Tab Thickness	.64 mm [.025 in]
Terminal Orientation	Straight
Contact Base Material	Brass
Terminal Plating Material	Tin
Crimp Type	F-Crimp
Barrel Type	Open

Termination Features

--	--



Product Terminates To	Wire & Cable
-----------------------	--------------

Mechanical Attachment

Wire Insulation Support	With
-------------------------	------

Dimensions

Terminal Material Thickness	.3 mm[.012 in]
-----------------------------	----------------

Product Length	19.18 mm[.755 in]
----------------	-------------------

Compatible Insulation Diameter Range	2.29 – 3.3 mm[.09 – .13 in]
--------------------------------------	-----------------------------

Wire Size	.51 – 1.31 mm ²
-----------	----------------------------

Usage Conditions

Insulation Option	Uninsulated
-------------------	-------------

Operating Temperature Range	-40 – 110 °C[-40 – 230 °F]
-----------------------------	----------------------------

Industry Standards

Agency/Standard	UL
-----------------	----

Packaging Features

Packaging Quantity	12000
--------------------	-------

Packaging Method	Strip/Reel
------------------	------------

Other

Terminals & Splices Comment	Low profile - not for use in housing.
-----------------------------	---------------------------------------

Product Compliance

[For compliance documentation, visit the product page on TE.com>](#)

EU RoHS Directive 2011/65/EU	Compliant
------------------------------	-----------

EU ELV Directive 2000/53/EC	Compliant
-----------------------------	-----------

China RoHS 2 Directive MIIT Order No 32, 2016	No Restricted Materials Above Threshold
---	---

EU REACH Regulation (EC) No. 1907/2006	Current ECHA Candidate List: JUNE 2023 (235) Candidate List Declared Against: JUNE 2023 (235) Does not contain REACH SVHC
--	---

Halogen Content	Low Halogen - Br, Cl, F, I < 900 ppm per homogenous material. Also BFR/CFR/PVC Free
-----------------	---

Solder Process Capability	Not applicable for solder process capability
---------------------------	--

This information is provided based on reasonable inquiry of our suppliers and represents our current actual knowledge based on the information they provided. This information is subject to change. The part numbers that TE has identified as EU RoHS compliant have a maximum concentration of 0.1% by weight in homogenous materials for lead, hexavalent chromium, mercury, PBB, PBDE, DBP, BBP, DEHP, DIBP, and 0.01% for cadmium, or qualify for an exemption to these limits as defined in the Annexes of Directive 2011/65/EU (RoHS2). Finished electrical and electronic equipment products will be CE marked as required by Directive 2011/65/EU. Components may not be CE marked. Additionally, the part numbers that TE has identified as EU ELV compliant have a maximum concentration of 0.1% by weight in homogenous materials for lead, hexavalent chromium, and mercury, and 0.01% for cadmium, or qualify for an exemption to these limits as defined in the Annexes of Directive 2000/53/EC (ELV). Regarding the REACH Regulation, the information TE provides on SVHC in articles for this part number is based on the latest European Chemicals Agency (ECHA) 'Guidance on requirements for substances in articles' posted at this URL: <https://echa.europa.eu/guidance-documents/guidance-on-reach>

Compatible Parts



TE Part # 190679-2
POSILOK T'P



TE Part # 2150186-1
OCEAN_2.0_Applicator-E-090F180F



TE Part # 2150186-2
OCEAN_2.0_Applicator-E-090F180F



TE Part # 2825431-1
187 SERIES POSITIVE LOCK (MARK-II)
REC



TE Part # 7-2150186-1
OCEAN_2.0_Applicator-E-090F180F



TE Part # 7-2150186-2
OCEAN_2.0_Applicator-E-090F180F



KIT REPRESENTATION ONLY
TE Part # 7-2150186-7
OCEAN_2.0_SPARE_PART_KIT-
090F180F



TE Part # 936663-1
PL 187 REC 20-16 AWG 0.3 X 14.0
PTPBR

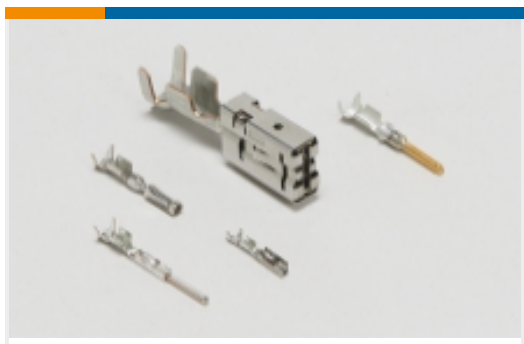


TE Part # 2-2150186-1
OCEAN_2.0_Applicator-E-090F180F

Also in the Series | **Mark II**



Automotive Housings(8)



Automotive Terminals(22)



Crimp Terminal Housings(76)



Insertion & Extraction Tools(2)



Quick Disconnects(57)

Also in the Series | **Positive Lock 187**



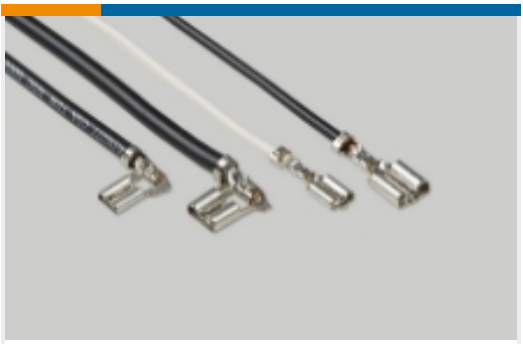
Crimp Terminal Housings(86)



Insertion & Extraction Tools(2)



Insulation Boots & Sleeves(7)



Quick Disconnects(57)

Customers Also Bought



TE Part #T4111001051-000
M12,MALE,STRAIGHT,A CODE,5P,
PG7,GOLD



TE Part #66103-3
Pin and Socket Contacts, Type III, LP



TE Part #1630012-1
HSC150 100R 5%



TE Part #1-747948-6
KIT,PLUG,25P,HDE,SHLD ENCLSR



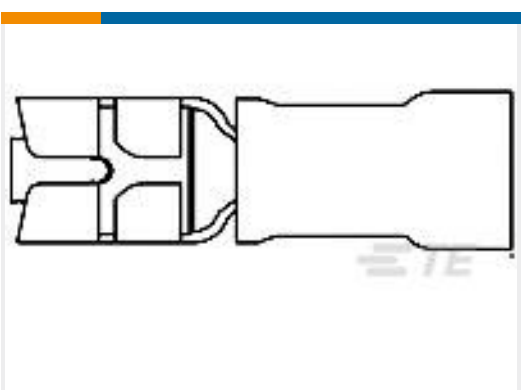
TE Part #880642-2
RING TONGUE 1.0-2.5 MM2 0.61X14.
60 TPBR



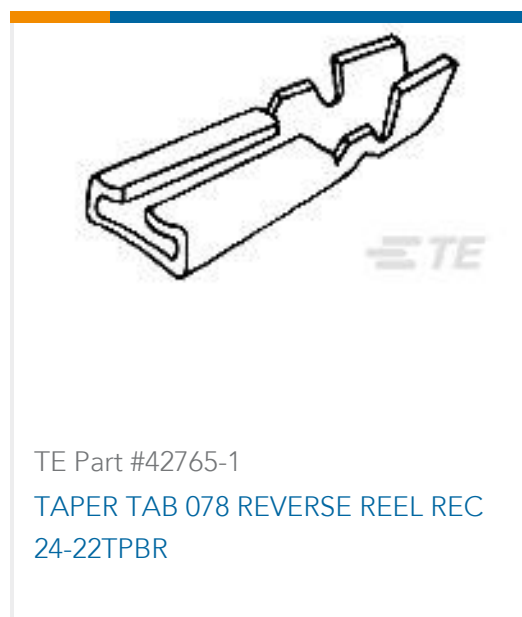
TE Part #2267079-2
TMS6T3B1M1QE



TE Part #2-1609113-6
15CUFE1=F8297



TE Part #184268-1
RCPT,PIDG FASTON 187 LIF 22-18



Documents

Product Drawings

[PL 187 TERMINAL REC 20-16 AWG TPBR](#)

English

CAD Files

[3D PDF](#)

3D

Customer View Model

[ENG_CVM_CVM_1217580-1_E.2d_dxf.zip](#)

English

Customer View Model

[ENG_CVM_CVM_1217580-1_E.3d_igs.zip](#)

English

Customer View Model

[ENG_CVM_CVM_1217580-1_E.3d_stp.zip](#)

English

By downloading the CAD file I accept and agree to the [Terms and Conditions](#) of use.

Product Specifications

[Application Specification](#)

English