



**RAST | RAST 5 IDC Connectors**

TE Internal #: 1217378-2

Connector Contacts, Socket, Tin, Tin, 240 VAC, 240 VDC, Discrete Wire, 22 – 18 AWG Wire Size, Crimp, Brass, Wire & Cable, RAST 5 IDC Connectors

[View on TE.com >](#)

Connectors > Rectangular Connectors > Connector Contacts



Contact Type: **Socket**

Contact Mating Area Plating Material: **Tin**

Wire Contact Termination Area Plating Material: **Tin**

Operating Voltage: **240 VDC**

**Features**

**Product Type Features**

Discrete Wire Type	Stranded
Connector & Contact Terminates To	Wire & Cable

**Configuration Features**

Compatible With Wire & Cable Type	Discrete Wire
-----------------------------------	---------------

**Electrical Characteristics**

Operating Voltage	240 VDC
-------------------	---------

**Contact Features**

Contact Type	Socket
Contact Mating Area Plating Material	Tin
Wire Contact Termination Area Plating Material	Tin
Contact Retention Within Housing	Without
Contact Base Material	Brass
Contact Current Rating (Max)	23.5 A

**Termination Features**

--	--



Termination Method to Wire & Cable	Crimp
------------------------------------	-------

### Dimensions

Wire Size	22 – 18 AWG
-----------	-------------

### Packaging Features

Packaging Method	Strip
------------------	-------

## Product Compliance

[For compliance documentation, visit the product page on TE.com>](#)

EU RoHS Directive 2011/65/EU	Compliant
EU ELV Directive 2000/53/EC	Compliant
China RoHS 2 Directive MIIT Order No 32, 2016	No Restricted Materials Above Threshold
EU REACH Regulation (EC) No. 1907/2006	Current ECHA Candidate List: JUNE 2023 (235) Candidate List Declared Against: JUNE 2023 (235) Does not contain REACH SVHC
Halogen Content	Low Halogen - Br, Cl, F, I < 900 ppm per homogenous material. Also BFR/CFR/PVC Free
Solder Process Capability	Not applicable for solder process capability

#### Product Compliance Disclaimer

This information is provided based on reasonable inquiry of our suppliers and represents our current actual knowledge based on the information they provided. This information is subject to change. The part numbers that TE has identified as EU RoHS compliant have a maximum concentration of 0.1% by weight in homogenous materials for lead, hexavalent chromium, mercury, PBB, PBDE, DBP, BBP, DEHP, DIBP, and 0.01% for cadmium, or qualify for an exemption to these limits as defined in the Annexes of Directive 2011/65/EU (RoHS2). Finished electrical and electronic equipment products will be CE marked as required by Directive 2011/65/EU. Components may not be CE marked. Additionally, the part numbers that TE has identified as EU ELV compliant have a maximum concentration of 0.1% by weight in homogenous materials for lead, hexavalent chromium, and mercury, and 0.01% for cadmium, or qualify for an exemption to these limits as defined in the Annexes of Directive 2000/53/EC (ELV). Regarding the REACH Regulation, the information TE provides on SVHC in articles for this part number is based on the latest European Chemicals Agency (ECHA) 'Guidance on requirements for substances in articles' posted at this URL: <https://echa.europa.eu/guidance-documents/guidance-on-reach>

## Compatible Parts



TE Part # 521204-6  
RAST 5,HSG,2P,POSILOCK MKIII



TE Part # 2150621-2  
OCEAN\_2.0\_Applicator-E-080F130F



TE Part # 2150694-2  
OCEAN\_2.0\_Applicator-E-080F130OV



TE Part # 7-2150621-2  
OCEAN\_2.0\_Applicator-E-080F130F



**KIT**  
REPRESENTATION ONLY

TE Part # 7-2150621-7  
OCEAN\_2.0\_SPARE\_PART\_KIT-080F130F



**KIT**  
REPRESENTATION ONLY

TE Part # 7-2150694-7  
OCEAN\_2.0\_SPARE\_PART\_KIT-080F130OV



TE Part # 9-521205-3  
POSI-LOK HSG, .250, 3 POS RAST5



TE Part # 1217094-3  
RCPT 250 POS-LOCK 18-14 TPBR



TE Part # 1217095-3  
RCPT 250 POS-LOCK 16-12 TPBR



TE Part # 1742700-1  
RCPT 250 POS-LOCK 22-18 0126BR



TE Part # 1742700-2  
RCPT 250 POS-LOC 22-18 0126TPBR



TE Part # 2-2150621-2  
OCEAN\_2.0\_Applicator-E-080F130F




TE Part # 2-2150694-2  
OCEAN\_2.0\_Applicator-E-080F130OV


TE Part # 2381765-3  
3P, POSITIVE-LOCK HOUSING, MKIII .250 SE

TE Part # 1-2381765-3  
3P, POSITIVE-LOCK HOUSING, MKIII .250 SE

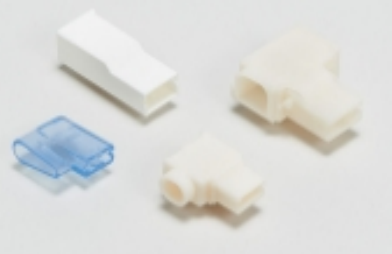
## Also in the Series | RAST 5 IDC Connectors




Automotive Terminals(8)



Connector Contacts(12)



Crimp Terminal Housings(41)



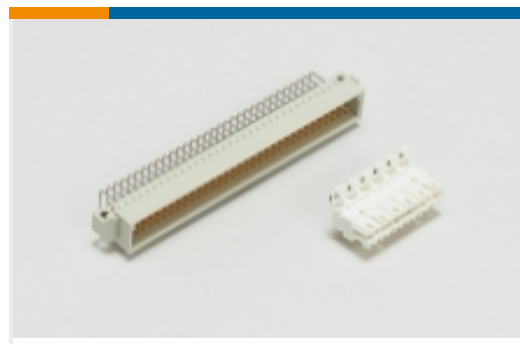
Insertion & Extraction Tools(1)



PCB Headers & Receptacles(417)



Rectangular Connector Housings(1)



Standard Edge Connectors(34)



Standard Rectangular Connectors(68)

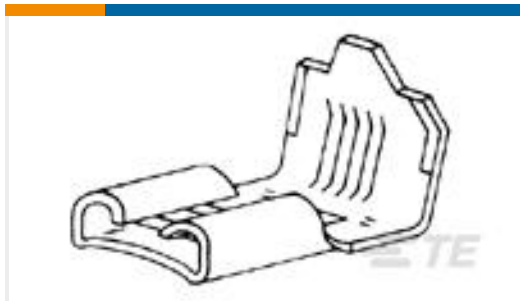


Wire-to-Board Connector Assemblies & Housings(214)

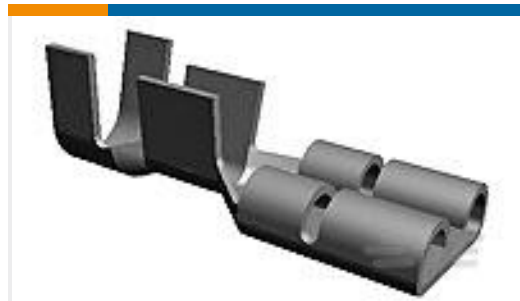


Wire-to-Board Connector Contacts(2)

## Customers Also Bought



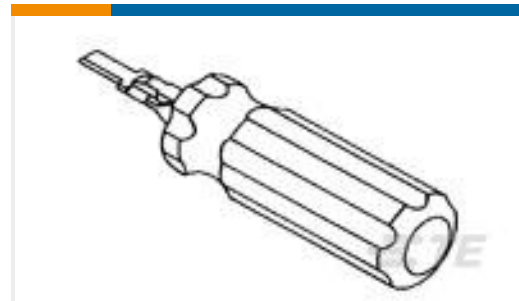
TE Part #62057-1  
250 FASTON FLAG REC 12-10 AWG  
SPBZ



TE Part #63539-1  
250 FASTON REC 14-10 AWG TPBR



TE Part #1971600-1  
POWER DBL LOCK CAP HSG 8P(GWT)



TE Part #724659-2  
EXT TOOL FOR POSITIVE .250



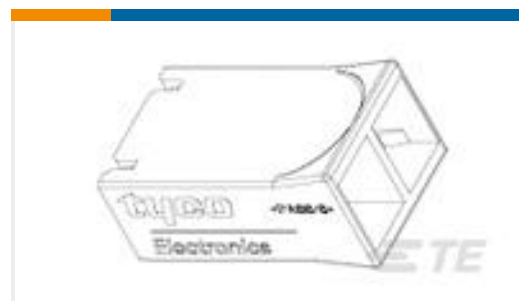
TE Part #60938-2  
250 FASTON REC 18-14 AWG TPBR



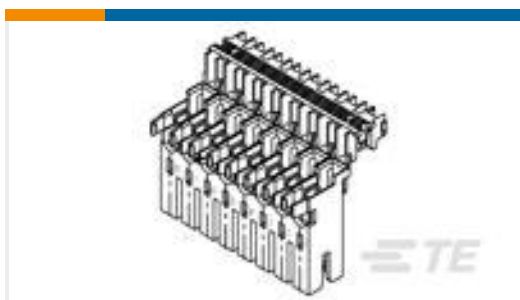
TE Part #1217039-1  
TIMER CONNECTOR GEN 3 18-14  
POST-TPBR



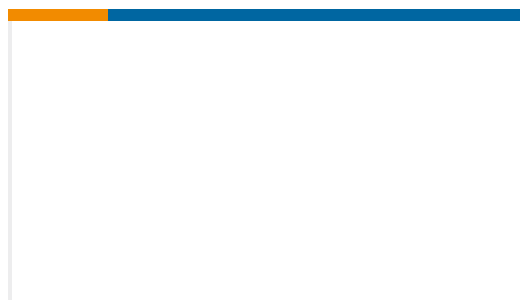
TE Part #1744544-3  
EP II TPA 03P, BLACK



TE Part #521766-1  
250 HSG. PL MKIII REC. 10mm 2P NAT



TE Part #1-282045-2  
AMP MONO-SHAPE P.C.B.CONN5P.  
G



TE Part #1-521204-7  
HSG, POS LOCK, .250 SERIES, 2  
POSITION

## Documents





### Product Drawings

[RCPT 250POS-LOC 22-18 0126TPBR](#)

English

---

### CAD Files

Customer View Model

[ENG\\_CVM\\_CVM\\_1217378-2\\_B.2d\\_dxf.zip](#)

English

3D PDF

3D

Customer View Model

[ENG\\_CVM\\_CVM\\_1217378-2\\_B.3d\\_igs.zip](#)

English

Customer View Model

[ENG\\_CVM\\_CVM\\_1217378-2\\_B.3d\\_stp.zip](#)

English

By downloading the CAD file I accept and agree to the [Terms and Conditions](#) of use.

---

### Datasheets & Catalog Pages

[Positive Lock Receptacles](#)

English

---

### Product Specifications

[Application Specification](#)

English

---

### Product Environmental Compliance

[MD\\_1217378-2\\_09162017435\\_dmtec](#)

English

[MD\\_1217378-2\\_09162017435\\_dmtec](#)

English

---