

1217281-2 ✓ ACTIVE

FASTIN-FASTON | FASTIN-FASTON 110

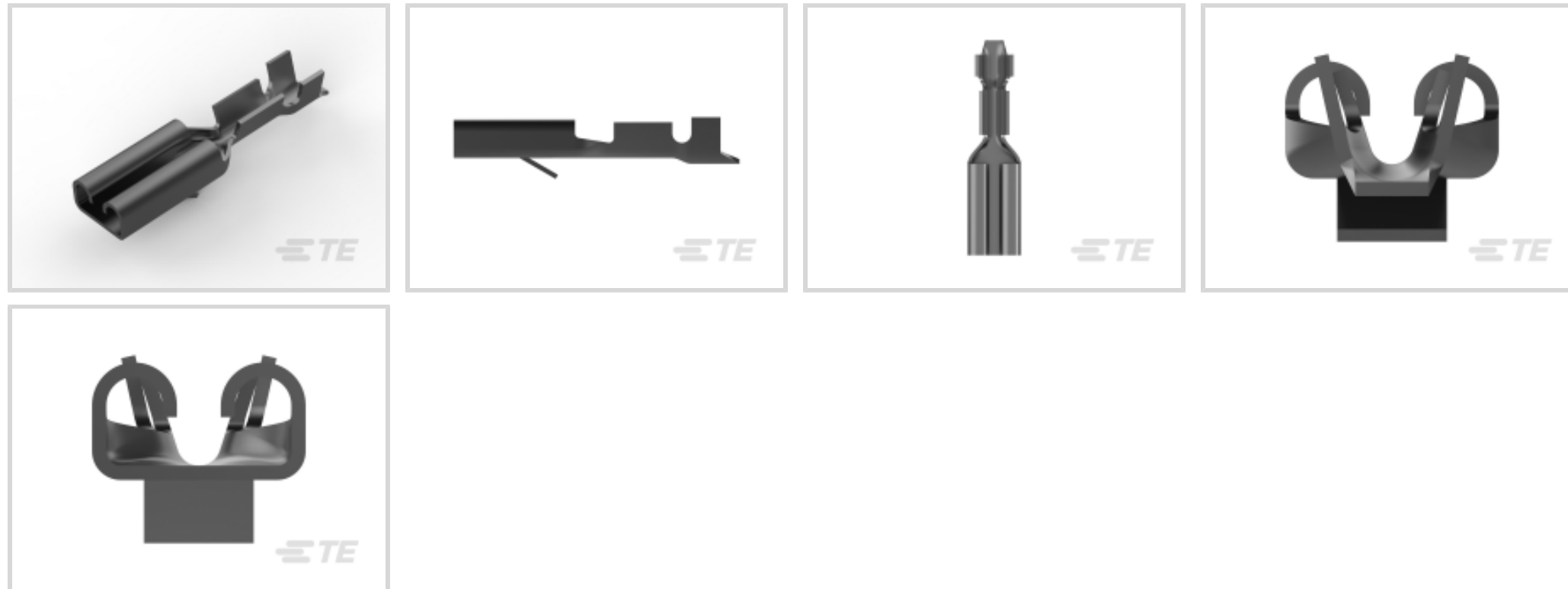
TE Internal #: 1217281-2

Quick Disconnects, Receptacle, 24 – 20 AWG Wire Size, .2 – .51 mm<sup>2</sup> Wire Size, Mating Tab Width 2.8 mm [.11 in], Straight, Brass, FASTIN-FASTON 110

[View on TE.com >](#)



Terminals & Splices > Quick Disconnects



Quick Disconnect Terminal Type: **Receptacle**

Wire Size: .2 – .51 mm<sup>2</sup>

Mating Tab Width: 2.8 mm [.11 in]

Mating Tab Thickness: .81 mm [.032 in]

## Features

### Product Type Features

Insertion Force	Normal
-----------------	--------

### Configuration Features

Connection Capacity	Single
---------------------	--------

Compatible With Wire & Cable Type	Discrete Wire
-----------------------------------	---------------

### Contact Features

Quick Disconnect Terminal Type	Receptacle
--------------------------------	------------

Mating Tab Width	2.8 mm [.11 in]
------------------	-----------------

Mating Tab Thickness	.81 mm [.032 in]
----------------------	------------------

Terminal Orientation	Straight
----------------------	----------

Contact Base Material	Brass
-----------------------	-------

Terminal Plating Material	Pre-Tin
---------------------------	---------

Crimp Type	F-Crimp
------------	---------

Barrel Type	Open
-------------	------

### Termination Features



Product Terminates To	Wire & Cable
-----------------------	--------------

### Mechanical Attachment

Locking Lance Height	1.07 mm
----------------------	---------

Wire Insulation Support	With
-------------------------	------

Mating Retention Type	Dimple
-----------------------	--------

### Dimensions

Terminal Material Thickness	.25 mm[.01 in]
-----------------------------	----------------

Product Length	13.97 mm[.55 in]
----------------	------------------

Compatible Insulation Diameter Range	1.27 – 2.03 mm[.05 – .08 in]
--------------------------------------	------------------------------

Wire Size	.2 – .51 mm <sup>2</sup>
-----------	--------------------------

### Usage Conditions

Insulation Option	Uninsulated
-------------------	-------------

Operating Temperature Range	-40 – 110 °C[-40 – 230 °F]
-----------------------------	----------------------------

### Packaging Features

Packaging Quantity	9000
--------------------	------

Packaging Method	Strip/Reel
------------------	------------

### Product Compliance

[For compliance documentation, visit the product page on TE.com>](#)

EU RoHS Directive 2011/65/EU	Compliant
------------------------------	-----------

EU ELV Directive 2000/53/EC	Compliant
-----------------------------	-----------

China RoHS 2 Directive MIIT Order No 32, 2016	No Restricted Materials Above Threshold
---	---

EU REACH Regulation (EC) No. 1907/2006	Current ECHA Candidate List: JUNE 2023 (235) Candidate List Declared Against: JUNE 2023 (235) Does not contain REACH SVHC
--	---

Halogen Content	Low Halogen - Br, Cl, F, I < 900 ppm per homogenous material. Also BFR/CFR/PVC Free
-----------------	---

Solder Process Capability	Not applicable for solder process capability
---------------------------	--

#### Product Compliance Disclaimer

This information is provided based on reasonable inquiry of our suppliers and represents our current actual knowledge based on the information they provided. This information is subject to change. The part numbers that TE has identified as EU RoHS compliant have a maximum concentration of 0.1% by weight in homogenous materials for lead, hexavalent chromium, mercury, PBB, PBDE, DBP, BBP, DEHP, DIBP, and 0.01% for cadmium, or qualify for an exemption to these

limits as defined in the Annexes of Directive 2011/65/EU (RoHS2). Finished electrical and electronic equipment products will be CE marked as required by Directive 2011/65/EU. Components may not be CE marked. Additionally, the part numbers that TE has identified as EU ELV compliant have a maximum concentration of 0.1% by weight in homogenous materials for lead, hexavalent chromium, and mercury, and 0.01% for cadmium, or qualify for an exemption to these limits as defined in the Annexes of Directive 2000/53/EC (ELV). Regarding the REACH Regulation, the information TE provides on SVHC in articles for this part number is based on the latest European Chemicals Agency (ECHA) 'Guidance on requirements for substances in articles' posted at this URL: <https://echa.europa.eu/guidance-documents/guidance-on-reach>

## Compatible Parts



TE Part # 150571-2  
FF 110 REC 0.2-0.56MM2 TPBR



TE Part # 2-2150415-1  
OCEAN\_2.0\_APPLICATOR-E-055F090F



TE Part # 2-2150415-2  
OCEAN\_2.0\_APPLICATOR-E-055F090FA



TE Part # 2150415-1  
OCEAN\_2.0\_APPLICATOR-E-055F090FA



TE Part # 2150415-2  
OCEAN\_2.0\_APPLICATOR-E-055F090FA



TE Part # 7-2150415-1  
OCEAN\_2.0\_APPLICATOR-E-055F090F



TE Part # 7-2150415-2  
OCEAN\_2.0\_APPLICATOR-E-055F090FA



TE Part # 7-2150415-7  
OCEAN\_2.0\_SPARE\_PART\_KIT-055F090F



TE Part # 737255-5  
FF 110 REC 0.5-1.0MM2 TPBR



TE Part # 881799-2  
FASTIN ON .110 REC



TE Part # 881799-3  
.110 SER. FASTIN-ON

## Also in the Series | FASTIN-FASTON 110



Automotive Housings(6)



Automotive Terminals(6)



Crimp Terminal Housings(34)

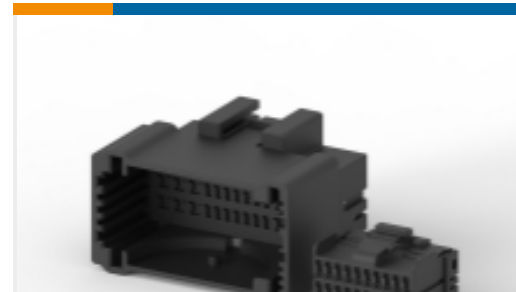
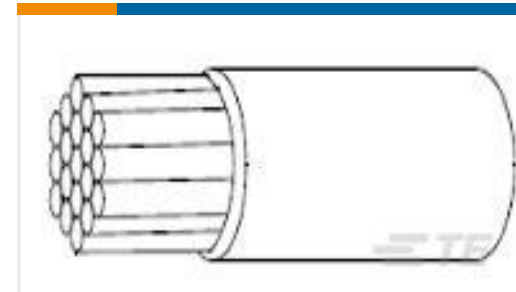
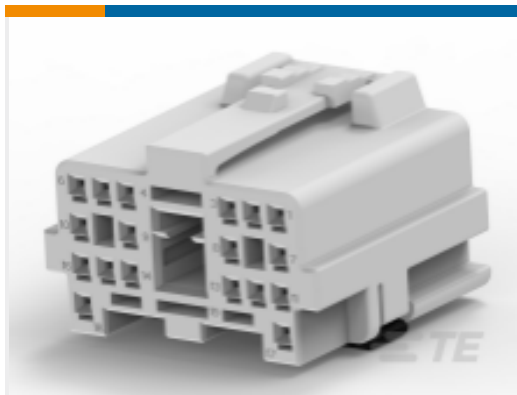


Insertion & Extraction Tools(3)



Quick Disconnects(83)

## Customers Also Bought

TE Part #6650384-3  
286-0052-12301A=TA CONN,SKTTE Part #6651214-1  
286-0022-12100=CONN,SKT,  
CRNEDGETE Part #368505-1  
MULTILOCK, CONNECTOR HOUSINGTE Part #216024-007  
55A0111-26-2TE Part #2319297-1  
025RF 19P PLUG ASSY NATTE Part #3-1649328-3  
RT334024TE Part #2372884-2  
3POS,FASTIN-ON 2.8,REC HSG,  
GLASS ACT

## Documents

### Product Drawings

[FF 110 REC 24-20AWG TPBR](#)

English

### CAD Files

[3D PDF](#)

3D

Customer View Model

[ENG\\_CVM\\_CVM\\_1217281-2\\_R\\_c-1217281-2-r.2d\\_dxf.zip](#)

English

Customer View Model

[ENG\\_CVM\\_CVM\\_1217281-2\\_R\\_c-1217281-2-r.3d\\_igs.zip](#)

English

Customer View Model

[ENG\\_CVM\\_CVM\\_1217281-2\\_R\\_c-1217281-2-r.3d\\_stp.zip](#)

English

By downloading the CAD file I accept and agree to the [Terms and Conditions](#) of use.



---

**Datasheets & Catalog Pages**

[FASTIN\\_FASTON\\_Product\\_Line](#)

English

---

**Product Specifications**

[Application Specification](#)

English

[FASTIN-FASTON 110, 187, 205 And 312 Series Receptacle Contacts](#)

English

---

**Product Environmental Compliance**

[TE Material Declaration](#)

English