

1217234-1 ✓ ACTIVE



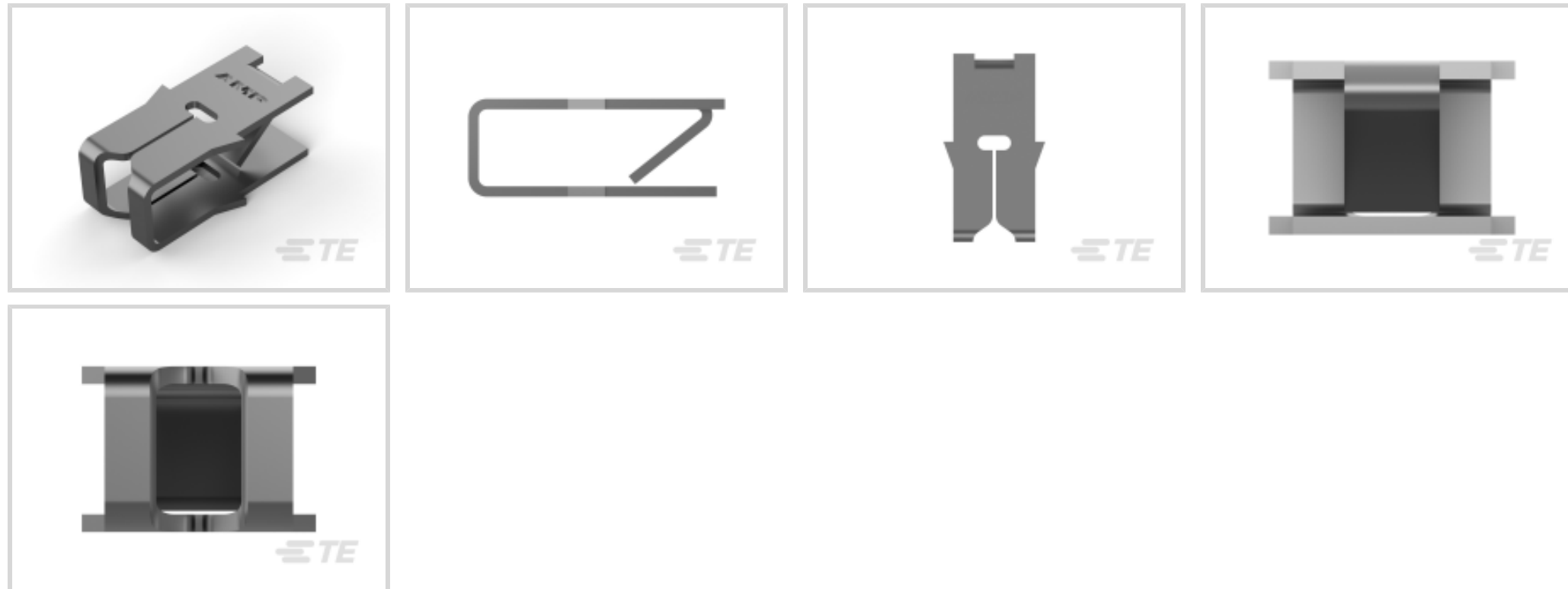
MAG-MATE

TE Internal #: 1217234-1

Magnet Wire Terminals, Poke-In, Lead Wire Size 20 – 18 AWG,
Lead Wire Size .5 – .9 mm², .23 – .32 mm Magnet Wire, 31 – 28
AWG Magnet Wire, MAG-MATE

[View on TE.com >](#)

Terminals & Splices > Magnet Wire Terminals



Magnet Wire Terminal Type: **Poke-In**

Lead Wire Size: .5 – .9 mm²

Magnet Wire Size: .23 – .32 mm

Features

Product Type Features

Compatible With Discrete Wire Type	Magnet Wire, Solid
------------------------------------	--------------------

Contact Features

Magnet Wire Terminal Type	Poke-In
Terminal Plating Material	Tin
Terminal Orientation	Twisted

Termination Features

Termination Method to Wire & Cable	Insulation Displacement (IDC)
------------------------------------	-------------------------------

Dimensions

Terminal Height	7.62 mm[.3 in]
Lead Wire Size	.5 – .9 mm ²
Magnet Wire Size	.23 – .32 mm
Stock Thickness (Magnet Wire Side)	.32 mm[.013 in]
Product Length	7.87 mm[.3 in]

Usage Conditions

Insulation Option	Uninsulated
-------------------	-------------

Operating Temperature Range -65 – 150 °C[-85 – 302 °F]

Operation/Application

Compatible With Wire Base Material Copper

Packaging Features

Packaging Method Reel, Reel/Carton

Product Compliance

[For compliance documentation, visit the product page on TE.com>](#)

EU RoHS Directive 2011/65/EU	Compliant
EU ELV Directive 2000/53/EC	Compliant
China RoHS 2 Directive MIIT Order No 32, 2016	No Restricted Materials Above Threshold
EU REACH Regulation (EC) No. 1907/2006	Current ECHA Candidate List: JUNE 2023 (235) Candidate List Declared Against: JUNE 2023 (235) Does not contain REACH SVHC
Halogen Content	Low Halogen - Br, Cl, F, I < 900 ppm per homogenous material. Also BFR/CFR/PVC Free
Solder Process Capability	Not applicable for solder process capability

Product Compliance Disclaimer

This information is provided based on reasonable inquiry of our suppliers and represents our current actual knowledge based on the information they provided. This information is subject to change. The part numbers that TE has identified as EU RoHS compliant have a maximum concentration of 0.1% by weight in homogenous materials for lead, hexavalent chromium, mercury, PBB, PBDE, DBP, BBP, DEHP, DIBP, and 0.01% for cadmium, or qualify for an exemption to these limits as defined in the Annexes of Directive 2011/65/EU (RoHS2). Finished electrical and electronic equipment products will be CE marked as required by Directive 2011/65/EU. Components may not be CE marked. Additionally, the part numbers that TE has identified as EU ELV compliant have a maximum concentration of 0.1% by weight in homogenous materials for lead, hexavalent chromium, and mercury, and 0.01% for cadmium, or qualify for an exemption to these limits as defined in the Annexes of Directive 2000/53/EC (ELV). Regarding the REACH Regulation, the information TE provides on SVHC in articles for this part number is based on the latest European Chemicals Agency (ECHA) 'Guidance on requirements for substances in articles' posted at this URL: <https://echa.europa.eu/guidance-documents/guidance-on-reach>

Compatible Parts




TE Part # 62833-1
MAG-MATE POKE-IN TERM 016TPBR



TE Part # 63658-1
MAG MATE TERM 25-22 016TPBR



TE Part # 62429-1
MAG-MATE TERM 27-30 013TPBR



TE Part # 1217824-1
TERM,POKE-IN,MAG-MATE



TE Part # 63662-1
MAG-MATE TERM 33-34 010TPBR



TE Part # 1217942-1
TERMINAL,POKE-IN,MAG-MATE



TE Part # 62833-4
TERMINAL,POKE-IN,MAG-MATE



TE Part # 964110-1
MAG-MATE KONTAKT



TE Part # 964252-1
MAG-MATE KONTAKT



TE Part # 1534684-1
MAG MATE CONT .300 SOLDER POST



TE Part # 1217026-1
MAG-MATE TERM 31-32 010 TPBR



TE Part # 1217757-1
TERM,POKE-IN,LP, MAG-MATE



TE Part # 1418686-1
MAG MATE TERMINAL W.EXTEND. LEAF SPRING



TE Part # 1742614-1
TERM,F-CRIMP,MAG-MATE



TE Part # 62429-2
MAG-MATE TERM 27-30 013TPBR



TE Part # 63532-1
MAG-MATE F CRMP 28-31 0126TPBR



TE Part # 63658-5
TERM,POKE-IN,MAG-MATE



TE Part # 964111-1
MAG-MATE KONTAKT



TE Part # 969035-1
LACKDRAHTVERBINDER

Also in the Series | **MAG-MATE**



Insertion & Extraction Tools(6)

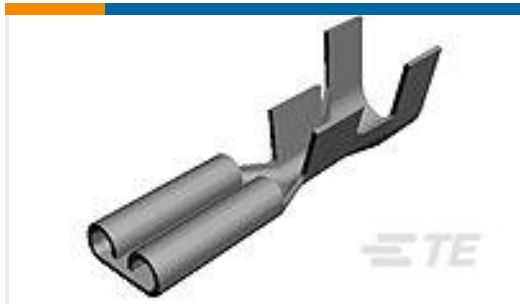


Magnet Wire Terminals(435)



PCB Terminals(1)

Customers Also Bought



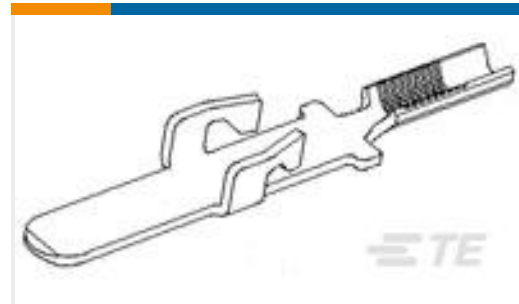
TE Part #42579-1
250 FASTON REC 16-12 AWG NPST



TE Part #1971845-4
4P, RAST 5 Tab Header, THV



TE Part #42037-1
RING TERMINAL 22-18 AWG TPBR



TE Part #1217073-1
CONT AMVAR 125 BLADE 020 TPBR



TE Part #63658-1
MAG MATE TERM 25-22 016TPBR



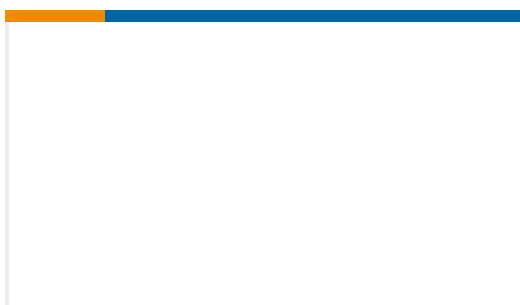
TE Part #180388-2
250 FASTON,REC.,20-16 AWG,TPBR



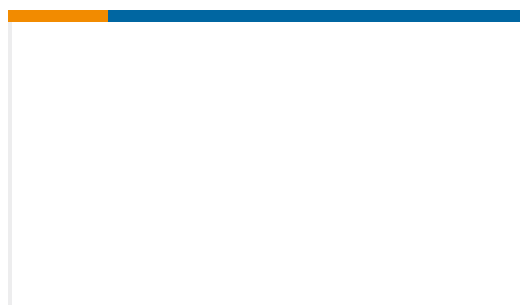
TE Part #1-2371464-2
2P, RAST5 P-LOCK HSG, INNER SLOT



TE Part #2119533-1
STRIPPER, SIDE FEED



TE Part #1338163-1
INSERTER DUAL POKE-IN



TE Part #1394429-6
TP 1394429-2 wh 2-703453-0 PP no Ni PLTN

Documents

Product Drawings

[MAG-MATE TERM 28-31 013TPBR](#)

English

CAD Files

[3D PDF](#)

[3D](#)

[Customer View Model](#)

[ENG_CVM_CVM_1217234-1_B.2d_dxf.zip](#)



English

Customer View Model

[ENG_CVM_CVM_1217234-1_B.3d_igs.zip](#)

English

Customer View Model

[ENG_CVM_CVM_1217234-1_B.3d_stp.zip](#)

English

By downloading the CAD file I accept and agree to the [Terms and Conditions](#) of use.

Datasheets & Catalog Pages

[Magnet Wire Terminals & Splices](#)

English

Product Specifications

[Application Specification](#)

English

Product Environmental Compliance

[Product Compliance](#)

English

[Product Compliance](#)

English