



Positive Lock | Mark III, Positive Lock 187

TE Internal #: 1217114-2

Quick Disconnects, Receptacle, 18 – 14 AWG Wire Size, .82 – 2.08 mm² Wire Size, Mating Tab Width 4.75 mm [.187 in], Straight, Brass, Positive Lock 187

[View on TE.com >](#)

Terminals & Splices > Quick Disconnects



Quick Disconnect Terminal Type: **Receptacle**

Wire Size: .82 – 2.08 mm²

Mating Tab Width: 4.75 mm [.187 in]

Mating Tab Thickness: .51 mm [.02 in]

Features

Product Type Features

Terminal Features	Wire Stop
Insertion Force	Normal

Configuration Features

Connection Capacity	Single
Compatible With Wire & Cable Type	Discrete Wire

Contact Features

Quick Disconnect Terminal Type	Receptacle
Mating Tab Width	4.75 mm [.187 in]
Mating Tab Thickness	.51 mm [.02 in]
Terminal Orientation	Straight
Contact Base Material	Brass
Terminal Plating Material	Tin
Crimp Type	F-Crimp
Barrel Type	Open



Termination Features

Product Terminates To	Wire & Cable
-----------------------	--------------

Mechanical Attachment

Wire Insulation Support	With
-------------------------	------

Dimensions

Terminal Material Thickness	.36 mm[.014 in]
Product Length	17.02 mm[.67 in]
Compatible Insulation Diameter Range	3.81 – 5.08 mm[.15 – .2 in]
Wire Size	.82 – 2.08 mm ²

Usage Conditions

Insulation Option	Uninsulated
Operating Temperature Range	-40 – 110 °C[-40 – 230 °F]

Packaging Features

Packaging Quantity	10000
Packaging Method	Strip/Reel

Product Compliance

[For compliance documentation, visit the product page on TE.com>](#)

EU RoHS Directive 2011/65/EU	Compliant
EU ELV Directive 2000/53/EC	Compliant
China RoHS 2 Directive MIIT Order No 32, 2016	No Restricted Materials Above Threshold
EU REACH Regulation (EC) No. 1907/2006	Current ECHA Candidate List: JUNE 2023 (235) Candidate List Declared Against: JUNE 2023 (235) Does not contain REACH SVHC
Halogen Content	Low Halogen - Br, Cl, F, I < 900 ppm per homogenous material. Also BFR/CFR/PVC Free
Solder Process Capability	Not applicable for solder process capability

Product Compliance Disclaimer

This information is provided based on reasonable inquiry of our suppliers and represents our current actual knowledge based on the information they provided. This information is subject to change. The part numbers that TE has identified as EU RoHS compliant have a maximum concentration of 0.1% by weight in homogenous materials for lead, hexavalent chromium, mercury, PBB, PBDE, DBP, BBP, DEHP, DIBP, and 0.01% for cadmium, or qualify for an exemption to these limits as defined in the Annexes of Directive 2011/65/EU (RoHS2). Finished electrical and electronic equipment products will be CE marked as required by Directive 2011/65/EU. Components may not be CE marked. Additionally, the part

numbers that TE has identified as EU ELV compliant have a maximum concentration of 0.1% by weight in homogenous materials for lead, hexavalent chromium, and mercury, and 0.01% for cadmium, or qualify for an exemption to these limits as defined in the Annexes of Directive 2000/53/EC (ELV). Regarding the REACH Regulation, the information TE provides on SVHC in articles for this part number is based on the latest European Chemicals Agency (ECHA) 'Guidance on requirements for substances in articles' posted at this URL: <https://echa.europa.eu/guidance-documents/guidance-on-reach>

Compatible Parts

TE Part # 521198-1
HSG.REC.POS-LOK.187 NAT.

TE Part # 170324-6
POSITIVE LOCK 187 REC 24-20AWG
0.3 PTPBR

TE Part # 2-2150539-2
OCEAN_2.0_Applicator-E-120F220F

TE Part # 2150539-2
OCEAN_2.0_Applicator-E-120F220F

TE Part # 2825431-1
187 SERIES POSITIVE LOCK (MARK-II)
REC

TE Part # 7-2150539-2
OCEAN_2.0_Applicator-E-120F220F

TE Part # 7-2150539-7
OCEAN_2.0_SPARE_PART_KIT-
120F220F

Also in the Series | Mark III

Crimp Terminal Housings(30)

Quick Disconnects(15)

Also in the Series | Positive Lock 187

Crimp Terminal Housings(86)

Insertion & Extraction Tools(2)

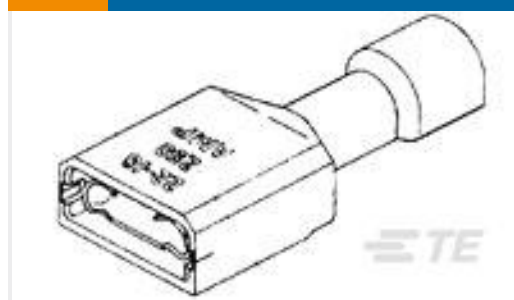
Insulation Boots & Sleeves(7)

Quick Disconnects(57)

Customers Also Bought



TE Part #521282-2
ULTRA-POD 250 ASSY REC 18-14
AWG TPBR



TE Part #3-520150-2
ULTRA-FAST 187 ASY REC 16-14 AWG
TPBR



TE Part #63854-2
250 PL MKIII REC. 18-14AWG TPBR



TE Part #42742-2
250 FASTON FLAG REC 18-12 AWG
TPBR



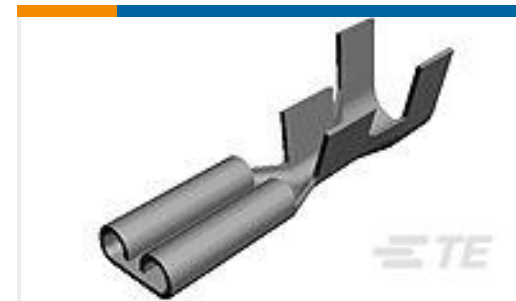
TE Part #52949-3
PG SPR SPD 22-16COMM 22-18MIL6



TE Part #60376-1
PIN 090 RECEPTACLE 20-14 AWG
TPPHBZ



TE Part #1217113-2
187 PL MKIII REC. 22-18AWG TPBR



TE Part #60635-1
250 FASTON REC 14-10 AWG TPBR



TE Part #60650-1
250 FASTON FLAG REC 18-14 AWG
BR



TE Part #1742539-3
CLUSTER BLOCK RECEPT,TPCuFeP

Documents

Product Drawings

[187 PL MKIII REC. 18-14AWG TPBR](#)

English

CAD Files

[3D PDF](#)

3D

Customer View Model

[ENG_CVM_CVM_1217114-2_J.2d_dxf.zip](#)

English

Customer View Model

[ENG_CVM_CVM_1217114-2_J.3d_igs.zip](#)

English

Customer View Model

[ENG_CVM_CVM_1217114-2_J.3d_stp.zip](#)

English

By downloading the CAD file I accept and agree to the [Terms and Conditions](#) of use.



Datasheets & Catalog Pages

Positive Lock Receptacles

English

Product Specifications

Application Specification

English

Product Environmental Compliance

Product Compliance

English

Product Compliance

English