

1217084-1 ✓ ACTIVE

FASTON | FASTON 187

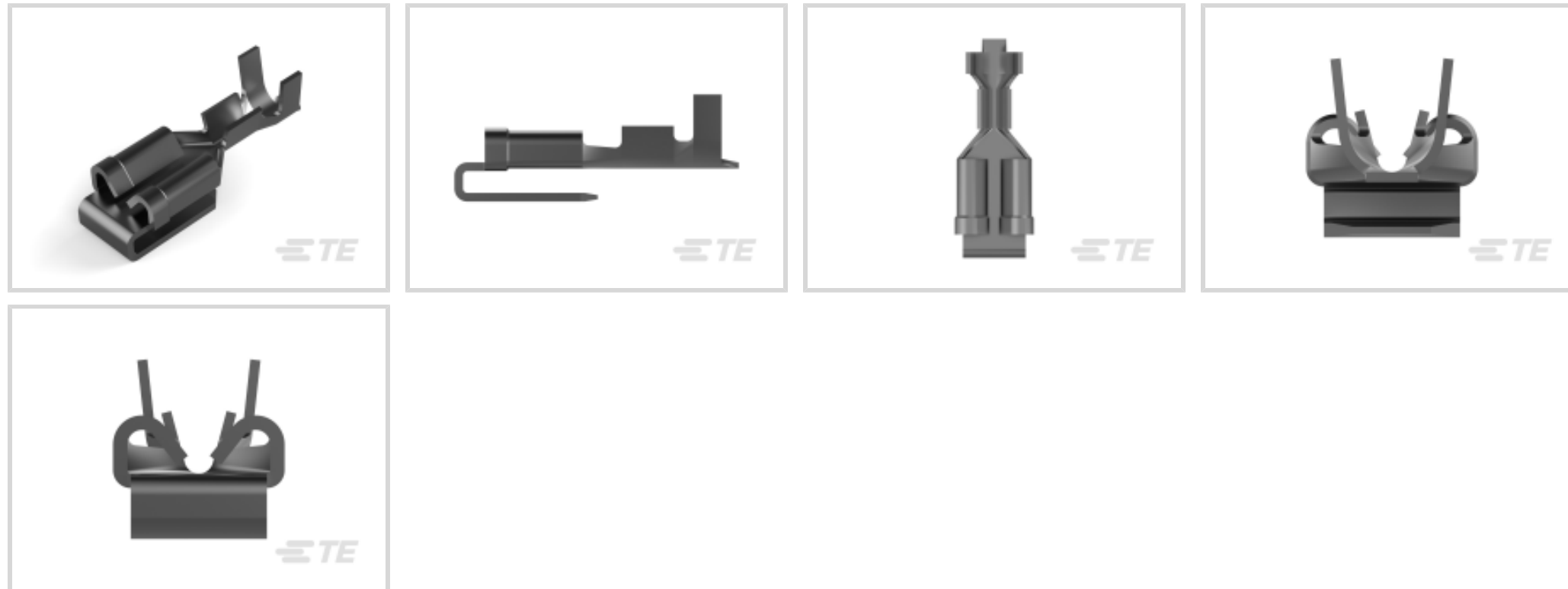
TE Internal #: 1217084-1

Quick Disconnects, Tab & Receptacle, 22 – 18 AWG Wire Size, .32 – .82 mm² Wire Size, Mating Tab Width 4.75 mm [.187 in], Piggyback, Brass, FASTON 187

[View on TE.com >](#)



Terminals & Splices > Quick Disconnects



Quick Disconnect Terminal Type: **Tab & Receptacle**

Wire Size: .32 – .82 mm²

Mating Tab Width: 4.75 mm [.187 in]

Mating Tab Thickness: .51 mm [.02 in]

Features

Product Type Features

Insertion Force	Low
-----------------	-----

Configuration Features

Connection Capacity	Multiple
---------------------	----------

Compatible With Wire & Cable Type	Discrete Wire
-----------------------------------	---------------

Contact Features

Quick Disconnect Terminal Type	Tab & Receptacle
--------------------------------	------------------

Mating Tab Width	4.75 mm [.187 in]
------------------	-------------------

Mating Tab Thickness	.51 mm [.02 in]
----------------------	-----------------

Terminal Orientation	Piggyback
----------------------	-----------

Contact Base Material	Brass
-----------------------	-------

Terminal Plating Material	Tin
---------------------------	-----

Crimp Type	F-Crimp
------------	---------

Barrel Type	Open
-------------	------

Termination Features



Product Terminates To	Wire & Cable
-----------------------	--------------

Mechanical Attachment

Wire Insulation Support	With
Mating Retention Type	Dimple

Dimensions

Terminal Material Thickness	.36 mm[.014 in]
Product Length	15.62 mm[.615 in]
Compatible Insulation Diameter Range	2.29 – 3.3 mm[.09 – .13 in]
Wire Size	.32 – .82 mm ²

Usage Conditions

Insulation Option	Uninsulated
Operating Temperature Range	-40 – 110 °C[-40 – 230 °F]

Industry Standards

Agency/Standard	CSA, UL
-----------------	---------

Packaging Features

Packaging Quantity	3500
Packaging Method	Strip/Reel

Product Compliance

[For compliance documentation, visit the product page on TE.com>](#)

EU RoHS Directive 2011/65/EU	Compliant
EU ELV Directive 2000/53/EC	Compliant
China RoHS 2 Directive MIIT Order No 32, 2016	No Restricted Materials Above Threshold
EU REACH Regulation (EC) No. 1907/2006	Current ECHA Candidate List: JUNE 2023 (235) Candidate List Declared Against: JUNE 2023 (235) Does not contain REACH SVHC
Halogen Content	Low Halogen - Br, Cl, F, I < 900 ppm per homogenous material. Also BFR/CFR/PVC Free
Solder Process Capability	Not applicable for solder process capability

Product Compliance Disclaimer



This information is provided based on reasonable inquiry of our suppliers and represents our current actual knowledge based on the information they provided. This information is subject to change. The part numbers that TE has identified as EU RoHS compliant have a maximum concentration of 0.1% by weight in homogenous materials for lead, hexavalent chromium, mercury, PBB, PBDE, DBP, BBP, DEHP, DIBP, and 0.01% for cadmium, or qualify for an exemption to these limits as defined in the Annexes of Directive 2011/65/EU (RoHS2). Finished electrical and electronic equipment products will be CE marked as required by Directive 2011/65/EU. Components may not be CE marked. Additionally, the part numbers that TE has identified as EU ELV compliant have a maximum concentration of 0.1% by weight in homogenous materials for lead, hexavalent chromium, and mercury, and 0.01% for cadmium, or qualify for an exemption to these limits as defined in the Annexes of Directive 2000/53/EC (ELV). Regarding the REACH Regulation, the information TE provides on SVHC in articles for this part number is based on the latest European Chemicals Agency (ECHA) 'Guidance on requirements for substances in articles' posted at this URL: <https://echa.europa.eu/guidance-documents/guidance-on-reach>

Compatible Parts



TE Part # 2305570-1
Strip Terminal Cutter-Side Feed-No Crimp



TE Part # 2-2266078-1
OCEAN_2.0_Applicator-S-070F1400



TE Part # 2-2266078-2
OCEAN_2.0_Applicator-S-070F1400



TE Part # 2266078-1
OCEAN_2.0_Applicator-S-070F1400

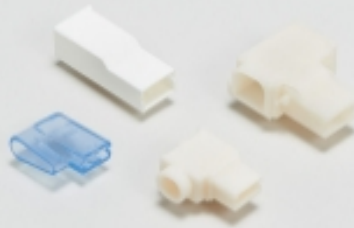


TE Part # 2266078-2
OCEAN_2.0_Applicator-S-070F1400




TE Part # 7-2266078-7
OCEAN_2.0_SPARE_PART_KIT-070F1400


Also in the Series | FASTON 187




Crimp Terminal Housings(42)



Insertion & Extraction Tools(1)



Joints & Splices(1)



PCB Terminals(42)



Quick Disconnects(209)



Splices(1)

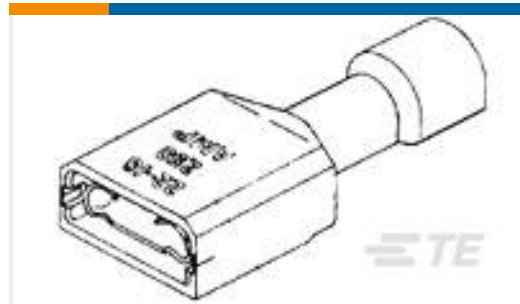
Customers Also Bought



TE Part #770849-3
03P SL156 HSG W/LCK RMP & TABS



TE Part #3-770476-1
SL156 RECPT, SNNI/PHBZ



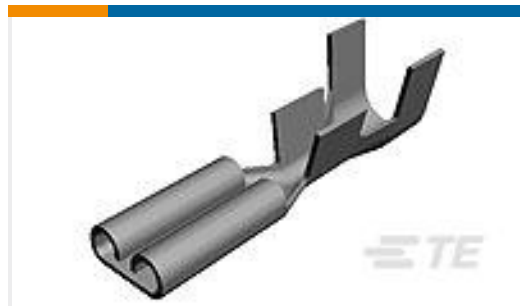
TE Part #2-520401-2
ULTRA-FAST 187 ASY REC 22-18 TPBR



TE Part #640254-1
KEYING PLUG .045 SQ PST CONN



TE Part #2-520405-2
ULTRA-FAST 250 ASY REC 22-18 TPBR



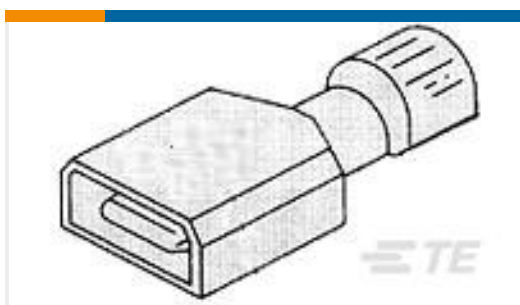
TE Part #1217345-1
110 FASTON,REC.,16-18 AWG,BR



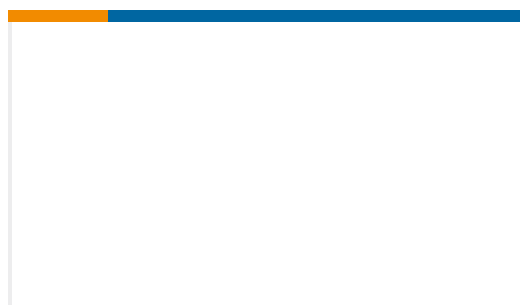
TE Part #1676639-3
RN 0805 10R 0.1% 10PPM 5K RL



TE Part #647344-7
07P SL156 HSG W/RP TB BLK #3



TE Part #3-520106-2
ULTRA-FAST 250 ASY TAB 16-14 AWG TPBR



TE Part #1-521204-6
HSG, POS LOCK, .250 SERIES, 2 POSITION

Documents

Product Drawings

[FASTON 187 PIGGY-BACK REC 22-18 AWG TPBR](#)

English

CAD Files

[3D PDF](#)

[3D](#)

Customer View Model

[ENG_CVM_CVM_1217084-1_F_c-1217084-1-f.2d_dxf.zip](#)



English

Customer View Model

[ENG_CVM_CVM_1217084-1_F_c-1217084-1-f.3d_igs.zip](#)

English

Customer View Model

[ENG_CVM_CVM_1217084-1_F_c-1217084-1-f.3d_stp.zip](#)

English

By downloading the CAD file I accept and agree to the [Terms and Conditions](#) of use.

Datasheets & Catalog Pages

[82004 FASTON Terminals \(Insulated and Uninsulated\) Catalog - FASTON Receptacles Section](#)

English

Product Specifications

[Application Specification](#)

English

[Application Specification](#)

English

Product Environmental Compliance

[Product Compliance](#)

English

[Product Compliance](#)

English