



Connectors > PCB Connectors > PCB Connector Accessories > PCB Connector Keying



Connector Keying Accessory Type: **Keying Plug**

Operating Temperature Range: -55 – 85 °C [-67 – 185 °F]

Features

Product Type Features

Connector Keying Accessory Type	Keying Plug
---------------------------------	-------------

Body Features

Primary Product Color	Black
-----------------------	-------

Usage Conditions

Operating Temperature Range	-55 – 85 °C[-67 – 185 °F]
-----------------------------	---------------------------

Packaging Features

Packaging Quantity	2000
Packaging Method	Box

Product Compliance

[For compliance documentation, visit the product page on TE.com>](#)

EU RoHS Directive 2011/65/EU	Compliant
EU ELV Directive 2000/53/EC	Compliant
China RoHS 2 Directive MIIT Order No 32, 2016	No Restricted Materials Above Threshold
EU REACH Regulation (EC) No. 1907/2006	Current ECHA Candidate List: JUNE 2023 (235) Candidate List Declared Against: JUNE 2023 (235)



Does not contain REACH SVHC

Halogen Content

Not Low Halogen - contains Br or Cl > 900 ppm.

Solder Process Capability

Not applicable for solder process capability

Product Compliance Disclaimer


This information is provided based on reasonable inquiry of our suppliers and represents our current actual knowledge based on the information they provided. This information is subject to change. The part numbers that TE has identified as EU RoHS compliant have a maximum concentration of 0.1% by weight in homogenous materials for lead, hexavalent chromium, mercury, PBB, PBDE, DBP, BBP, DEHP, DIBP, and 0.01% for cadmium, or qualify for an exemption to these limits as defined in the Annexes of Directive 2011/65/EU (RoHS2). Finished electrical and electronic equipment products will be CE marked as required by Directive 2011/65/EU. Components may not be CE marked. Additionally, the part numbers that TE has identified as EU ELV compliant have a maximum concentration of 0.1% by weight in homogenous materials for lead, hexavalent chromium, and mercury, and 0.01% for cadmium, or qualify for an exemption to these limits as defined in the Annexes of Directive 2000/53/EC (ELV). Regarding the REACH Regulation, the information TE provides on SVHC in articles for this part number is based on the latest European Chemicals Agency (ECHA) 'Guidance on requirements for substances in articles' posted at this URL: <https://echa.europa.eu/guidance-documents/guidance-on-reach>

Compatible Parts

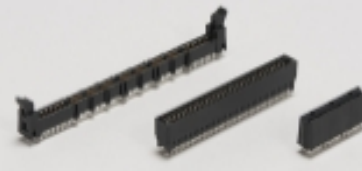


TE Part # 5-2337939-8
PCIE GEN4 CON,SMT,164POS,30u",
MYLAR,HT

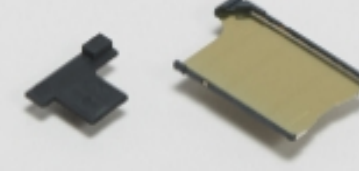
Also in the Series | AMP ECONOMATE




Board-to-Board Connector Contacts(7)



Card Edge Power Connectors(1)



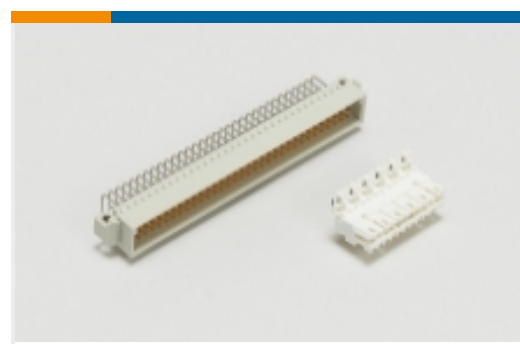
Card Guide Hardware(1)



Insertion & Extraction Tools(1)

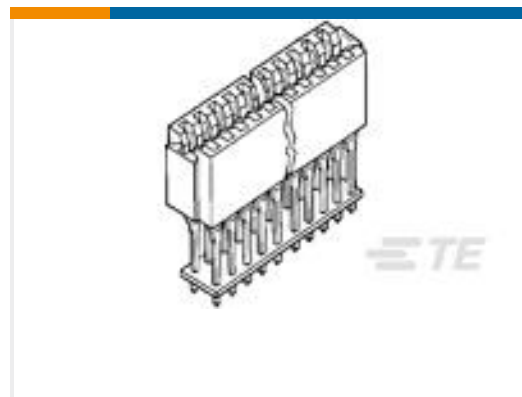


PCB Connector Keying(1)



Standard Edge Connectors(7)

Customers Also Bought



TE Part #1-5147490-0
Next Gen PACE Conn 10 POS 1X2



TE Part #ZPF000000000008043
983-3KE-C 14

Documents

Product Drawings

KEYING PLUG

English

CAD Files

3D PDF

3D

Customer View Model

[ENG_CVM_CVM_118982-1_K.2d_dxf.zip](#)

English

Customer View Model

[ENG_CVM_CVM_118982-1_K.3d_igs.zip](#)

English

Customer View Model

[ENG_CVM_CVM_118982-1_K.3d_stp.zip](#)

English

By downloading the CAD file I accept and agree to the [Terms and Conditions](#) of use.

Instruction Sheets

Instruction Sheet (U.S.)

English

POLARIZING KEY FOR AMP PACE* AND ECONOMATE* I STANDARD PROFILE PRINTED

English