

1123684-7 ✓ ACTIVE



TE Internal #: 1123684-7

DC Jack Connectors, Board-to-Board, 10 Position, .098 in [2.5 mm]  
Centerline, Plug, 30 VDC, Right Angle, Printed Circuit Board, Power  
& Signal

[View on TE.com >](#)

Connectors > PCB Connectors > Battery Connectors & Holders > DC Jack Connectors



Connector System: **Board-to-Board**

Number of Positions: **10**

Centerline (Pitch): **2.5 mm [ .098 in ]**

Connector & Housing Type: **Plug**

Operating Voltage: **30 VDC**

## Features

### Product Type Features

Connector System	Board-to-Board
Connector & Housing Type	Plug
Connector & Contact Terminates To	Printed Circuit Board

### Configuration Features

Number of Positions	10
PCB Mount Orientation	Right Angle

### Electrical Characteristics

Operating Voltage	30 VDC
-------------------	--------

### Contact Features

Contact Current Rating (Max)	6 A
------------------------------	-----

### Mechanical Attachment

PCB Mount Retention	With
PCB Mount Retention Type	Locating Post
Connector Mounting Type	Board Mount



### Housing Features

Centerline (Pitch)	2.5 mm[.098 in]
--------------------	-----------------

### Usage Conditions

Operating Temperature Range	-20 – 80 °C[-4 – 176 °F]
-----------------------------	--------------------------

### Operation/Application

Circuit Application	Power & Signal
---------------------	----------------

### Packaging Features

Packaging Quantity	50
Packaging Method	Tray

### Product Compliance

[For compliance documentation, visit the product page on TE.com>](#)

EU RoHS Directive 2011/65/EU	Compliant
EU ELV Directive 2000/53/EC	Compliant
China RoHS 2 Directive MIIT Order No 32, 2016	No Restricted Materials Above Threshold
EU REACH Regulation (EC) No. 1907/2006	Current ECHA Candidate List: JUNE 2023 (235) Candidate List Declared Against: JUNE 2023 (235) Does not contain REACH SVHC
Halogen Content	Not Low Halogen - contains Br or Cl > 900 ppm.
Solder Process Capability	Wave solder capable to 265°C

#### Product Compliance Disclaimer

This information is provided based on reasonable inquiry of our suppliers and represents our current actual knowledge based on the information they provided. This information is subject to change. The part numbers that TE has identified as EU RoHS compliant have a maximum concentration of 0.1% by weight in homogenous materials for lead, hexavalent chromium, mercury, PBB, PBDE, DBP, BBP, DEHP, DIBP, and 0.01% for cadmium, or qualify for an exemption to these limits as defined in the Annexes of Directive 2011/65/EU (RoHS2). Finished electrical and electronic equipment products will be CE marked as required by Directive 2011/65/EU. Components may not be CE marked. Additionally, the part numbers that TE has identified as EU ELV compliant have a maximum concentration of 0.1% by weight in homogenous materials for lead, hexavalent chromium, and mercury, and 0.01% for cadmium, or qualify for an exemption to these limits as defined in the Annexes of Directive 2000/53/EC (ELV). Regarding the REACH Regulation, the information TE provides on SVHC in articles for this part number is based on the latest European Chemicals Agency (ECHA) 'Guidance on requirements for substances in articles' posted at this URL: <https://echa.europa.eu/guidance-documents/guidance-on-reach>

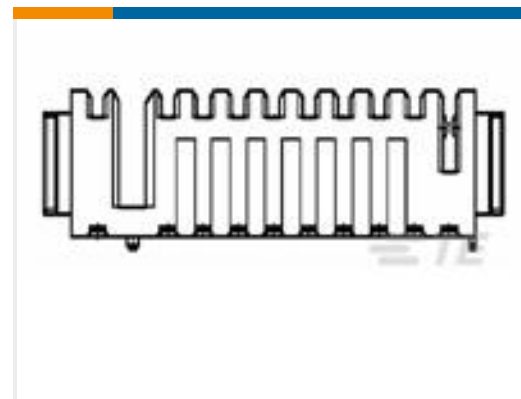
### Compatible Parts



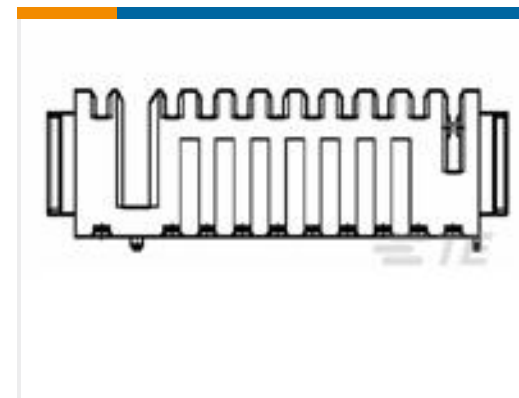
TE Part # 1123688-3  
2.5 BATTERY REC ASSY 6P



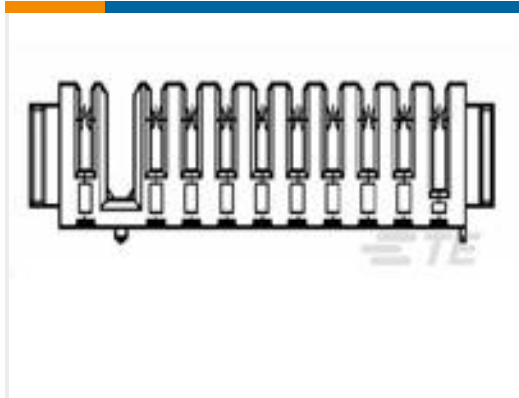
TE Part # 1674231-1  
2.5MM PITCH HIGH CURRENT BATTE



TE Part # 1-1123688-7  
RECEPTACLE ASSY.10POS, 2.5MM PITCH BATTE



TE Part # 1123688-7  
2.5 BATTERY CONN REC 10P



TE Part # 1565860-1  
2.5MM PITCH BATTERY CONNECTOR,



TE Part # 1612964-4  
2MM PITCH BATTERY REC. ASSY 10



TE Part # 1-1473776-7  
2.5MM PITCH BATTERY REC ASSEMBLY SMT TYP



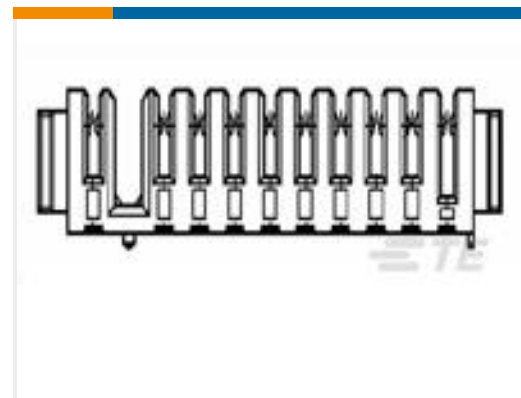
TE Part # 1746498-5  
2.5MM PITCH BATTERY CONNECTOR 8P



TE Part # 1123738-7  
2.5 BATTERY CONN PLUG 10P



TE Part # 1473539-7  
2.5 BATTERY PLUG ASSY 10P



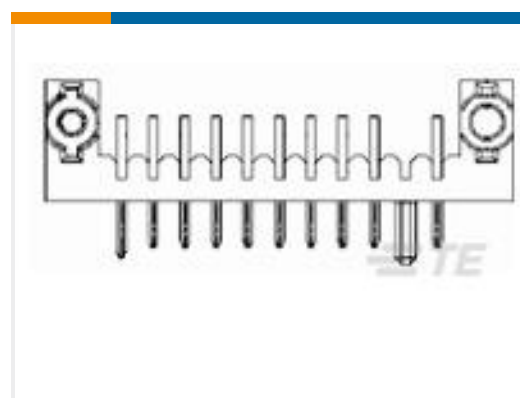
TE Part # 1473776-7  
2.5MM BATTERY REC ASSEMBLY



TE Part # 1565596-1  
PLUG ASSY FOR 2.5MM PITCH BATT



TE Part # 1674999-1  
PLUG ASSY,2.5MM PITCH BATTERY



TE Part # 1717712-1  
2.5MM PITCH BATTERY PLUG ASSY OFF-SET TY




TE Part # 1827622-2  
2mm pitch Battery Rec. Assy 10Pos.

### Customers Also Bought



TE Part #878511-000  
222K121-25-0



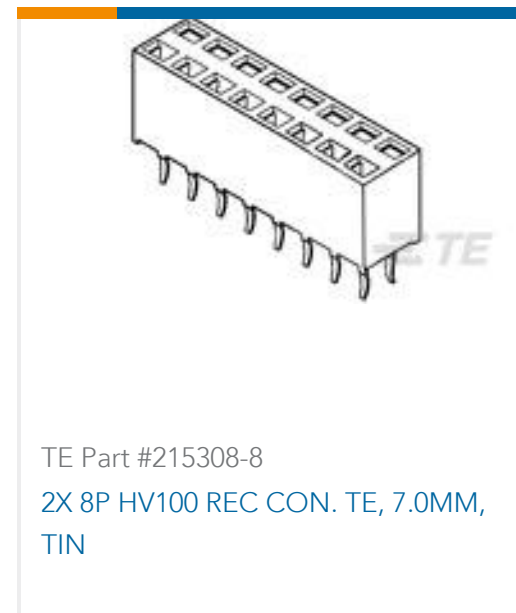
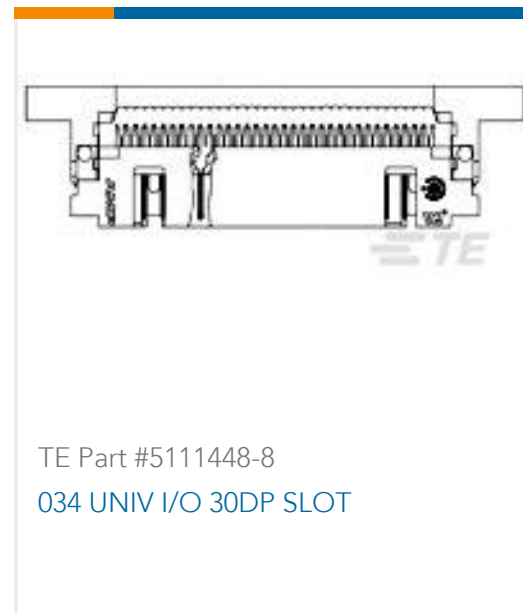
TE Part #440052-6  
2.5MM,HDR,6POS,VERTICAL, CONNECTOR



TE Part #2027395-1  
T9SV1K15-12



TE Part #292207-2  
MINI CT SGL DIP V 2P NAT



## Documents

### Product Drawings

#### 2.5 BATTERY CONN PLUG 10P STD

English

### CAD Files

#### 3D PDF

English

#### Customer View Model

[ENG\\_CVM\\_1123684-7\\_C.2d\\_dxf.zip](#)

English

#### Customer View Model

[ENG\\_CVM\\_1123684-7\\_C.3d\\_igs.zip](#)

English

#### Customer View Model

[ENG\\_CVM\\_1123684-7\\_C.3d\\_stp.zip](#)

English

By downloading the CAD file I accept and agree to the [Terms and Conditions](#) of use.

### Datasheets & Catalog Pages

#### POWER\_CONNECTORS\_CATALOG\_SEC09\_LAPTOPS\_PORTABLES

English

[2\\_PIECE\\_POWER\\_CONNECTORS\\_qrg\\_4-1773458-1](#)

English

### Product Specifications

#### Product Specification

English

### Product Environmental Compliance

#### Product Compliance

English

#### Product Compliance

English