



## Product Compliance

[For compliance documentation, visit the product page on TE.com>](#)

EU RoHS Directive 2011/65/EU	Compliant
EU ELV Directive 2000/53/EC	Compliant
China RoHS 2 Directive MIIT Order No 32, 2016	No Restricted Materials Above Threshold
EU REACH Regulation (EC) No. 1907/2006	<p>Current ECHA Candidate List: JUNE 2023 (235)</p> <p>Candidate List Declared Against: JAN 2022 (223)</p> <p>SVHC &gt; Threshold:</p> <p>DBMC (.3% in Component Part)</p> <p><b>Article Safe Usage Statements:</b>                      Wash thoroughly after handling. Do not handle until all safety precautions have been read and understood. Recycle if possible and dispose of the article by following all applicable governmental regulations relevant to your geographic location.</p>
Halogen Content	Not Low Halogen - contains Br or Cl > 900 ppm.
Solder Process Capability	Not applicable for solder process capability

### Product Compliance Disclaimer

This information is provided based on reasonable inquiry of our suppliers and represents our current actual knowledge based on the information they provided. This information is subject to change. The part numbers that TE has identified as EU RoHS compliant have a maximum concentration of 0.1% by weight in homogenous materials for lead, hexavalent chromium, mercury, PBB, PBDE, DBP, BBP, DEHP, DIBP, and 0.01% for cadmium, or qualify for an exemption to these limits as defined in the Annexes of Directive 2011/65/EU (RoHS2). Finished electrical and electronic equipment products will be CE marked as required by Directive 2011/65/EU. Components may not be CE marked. Additionally, the part numbers that TE has identified as EU ELV compliant have a maximum concentration of 0.1% by weight in homogenous materials for lead, hexavalent chromium, and mercury, and 0.01% for cadmium, or qualify for an exemption to these limits as defined in the Annexes of Directive 2000/53/EC (ELV). Regarding the REACH Regulation, the information TE provides on SVHC in articles for this part number is based on the latest European Chemicals Agency (ECHA) 'Guidance on requirements for substances in articles' posted at this URL: <https://echa.europa.eu/guidance-documents/guidance-on-reach>

Also in the Series | [HDC IP65](#)



Rectangular Connector Hoods & Bases  
(1258)

## Customers Also Bought



TE Part #363884-000  
FL2500-NO.3-J1-0-STK



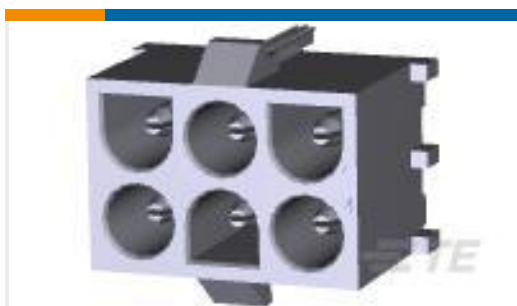
TE Part #350550-7  
UMNL SOK 20-14 AU/BR L/P



TE Part #640713-1  
02P UMNL STR/REL & INSERT



TE Part #640715-1  
06P UMNL STR/REL



TE Part #641970-3  
06P UMNL PIN HDR ASSY 94VO LF



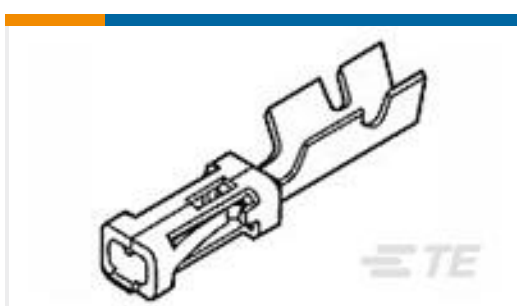
TE Part #1-1623819-2  
SBL4 R047 5%



TE Part #1676979-7  
TW 1W 2K5 6.35X25PL



TE Part #102241-3  
05 MODIV HSG COMP SR .100 POL



TE Part #166310-3  
MOD-5 REC.CONTACT



TE Part #2120959-1  
M8 FEMALE SOCKET WITH WIRES,  
0.25 SQMM

## Documents

### CAD Files

3D PDF

English

### Customer View Model

[ENG\\_CVM\\_1106411-2\\_D1.3d\\_igs.zip](#)

English

### Customer View Model

[ENG\\_CVM\\_1106411-2\\_D1.3d\\_stp.zip](#)



English

Customer View Model

[ENG\\_CVM\\_1106411-2\\_D1.2d\\_dxf.zip](#)

English

By downloading the CAD file I accept and agree to the [Terms and Conditions](#) of use.