



MEAS | MEAS LTD Series

TE Internal #: 11032035-00

TE Internal Description: DT1-028K W/TH LEADS/RIVET

PIEZO FILM SENSORS WITH LEAD

[View on TE.com >](#)

Sensors > Piezo Film Sensors > PIEZO FILM SENSORS WITH LEAD



Piezo Film Sensor Type: **Element**

Features: **Leads, Strips**

[All PIEZO FILM SENSORS WITH LEAD \(6\)](#)

Features

Product Type Features

Piezo Film Sensor Type	Element
Features	Leads, Strips

Product Compliance

[For compliance documentation, visit the product page on TE.com>](#)

EU RoHS Directive 2011/65/EU	Compliant
EU ELV Directive 2000/53/EC	Out of Scope
China RoHS 2 Directive MIIT Order No 32, 2016	No Restricted Materials Above Threshold
EU REACH Regulation (EC) No. 1907/2006	Current ECHA Candidate List: JUNE 2023 (235) Candidate List Declared Against: JUN 2020 (209) Does not contain REACH SVHC
Halogen Content	Not Yet Reviewed for halogen content
Solder Process Capability	Not reviewed for solder process capability

Product Compliance Disclaimer

This information is provided based on reasonable inquiry of our suppliers and represents our current actual knowledge based on the information they provided. This information is subject to change. The part numbers that TE has identified as EU RoHS compliant have a maximum concentration of 0.1% by weight in homogenous materials for lead, hexavalent chromium, mercury, PBB, PBDE, DBP, BBP, DEHP, DIBP, and 0.01% for cadmium, or qualify for an exemption to these limits as defined in the Annexes of Directive 2011/65/EU (RoHS2). Finished electrical and electronic equipment products will be CE marked as required by Directive 2011/65/EU. Components may not be CE marked. Additionally, the part numbers that TE has identified as EU ELV compliant have a maximum concentration of 0.1% by weight in homogenous materials for lead, hexavalent chromium, and mercury, and 0.01% for cadmium, or qualify for an exemption to these limits

as defined in the Annexes of Directive 2000/53/EC (ELV). Regarding the REACH Regulation, the information TE provides on SVHC in articles for this part number is based on the latest European Chemicals Agency (ECHA) 'Guidance on requirements for substances in articles' posted at this URL: <https://echa.europa.eu/guidance-documents/guidance-on-reach>

Compatible Parts



TE Part # 1005935-1
NDT1-220K ULTRASONIC TRANSDUCER



TE Part # 11031263-00
SDT1-028K

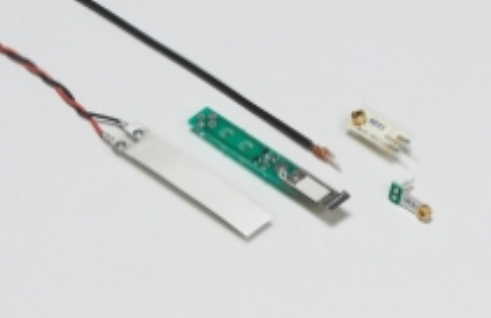


TE Part # 11029999-00
DT1-052K W/TH LEADS/RIVET



TE Part # 11032265-00
DT1-052K N/TH N/HOLE

Also in the Series | MEAS LTD Series

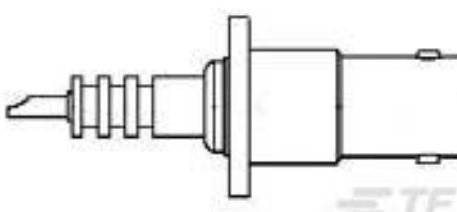


Piezo Film Sensors(9)

Customers Also Bought



TE Part #213905-1
Environmentally Sealed Circular Connector, CPC Series 5



TE Part #51421-2
SHV PANEL RECPT



TE Part #5-2213766-3
AV19 DPM 5A POWER LED GREEN 12V



TE Part #2-2176342-9
CRGCO 0805 47K 5%



TE Part #11026911-00
LDTM-028K



TE Part #11031269-00
FDT1-028K W/MALE CONN W/O ADH



TE Part #213847-4
PWRBND SOC ASY,14-12,L.P.



TE Part #1614883-3
CPF0805 1M0 0.1% 25PPM 5K RL



Documents

CAD Files

[3D PDF](#)

3D

Customer View Model

[ENG_CVM_CVM_11032035-00_F.2d_dxf.zip](#)

English

Customer View Model

[ENG_CVM_CVM_11032035-00_F.3d_igs.zip](#)

English

Customer View Model

[ENG_CVM_CVM_11032035-00_F.3d_stp.zip](#)

English

By downloading the CAD file I accept and agree to the [Terms and Conditions](#) of use.

Datasheets & Catalog Pages

[DT_Series_with_Riveted_Leads](#)

English