



Sensors > Temperature Sensors > NTC Thermistors Sensors & Probes > NTC Thermistors > Model 44000 Series



Discrete NTC Sensor Type: **Epoxy Coated NTC Thermistor**

Wire Connection: **Open End**

Discrete NTC Wire Length: **76 mm**

Resistance (at 25°C): **5 kΩ**

β -Value(25/85): **3976 K**

[All Model 44000 Series \(32\)](#)

Features

Product Type Features

Discrete NTC Sensor Type	Epoxy Coated NTC Thermistor
Tolerance β -Value	±0.8 %

Electrical Characteristics

β -Value(25/85)	3976 K
-----------------------	--------

Body Features

Wire Connection	Open End
-----------------	----------

Dimensions

Discrete NTC Wire Length	76 mm
--------------------------	-------

Usage Conditions

Resistance (at 25°C)	5 kΩ
Discrete NTC Ambient Temperature Range	-40 – 150 °C
Temperature Accuracy	± .2 from 0 – 70 °C
Maximum Temperature	150 °C[302 °F]

Packaging Features

Discrete NTC Package	Epoxy Radial Discrete
----------------------	-----------------------

Product Compliance

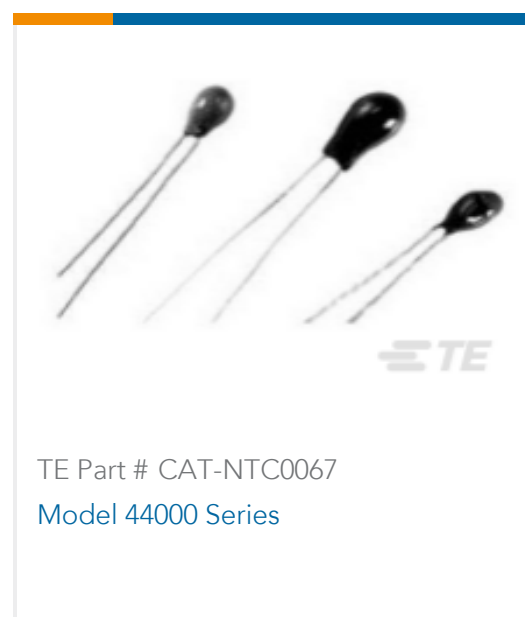
[For compliance documentation, visit the product page on TE.com>](#)

EU RoHS Directive 2011/65/EU	Compliant with Exemptions
EU ELV Directive 2000/53/EC	Compliant with Exemptions
China RoHS 2 Directive MIIT Order No 32, 2016	Restricted Materials Above Threshold
EU REACH Regulation (EC) No. 1907/2006	Current ECHA Candidate List: JUNE 2023 (235) Candidate List Declared Against: JUNE 2023 (235) Does not contain REACH SVHC
Halogen Content	Not Yet Reviewed for halogen content
Solder Process Capability	Not reviewed for solder process capability

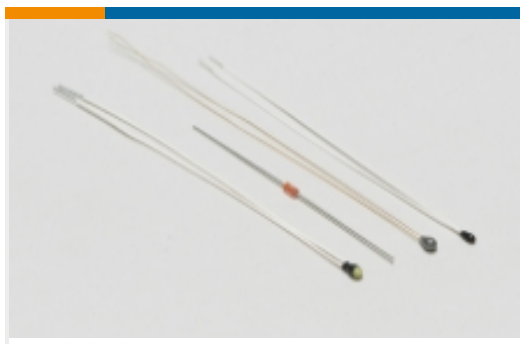
Product Compliance Disclaimer

This information is provided based on reasonable inquiry of our suppliers and represents our current actual knowledge based on the information they provided. This information is subject to change. The part numbers that TE has identified as EU RoHS compliant have a maximum concentration of 0.1% by weight in homogenous materials for lead, hexavalent chromium, mercury, PBB, PBDE, DBP, BBP, DEHP, DIBP, and 0.01% for cadmium, or qualify for an exemption to these limits as defined in the Annexes of Directive 2011/65/EU (RoHS2). Finished electrical and electronic equipment products will be CE marked as required by Directive 2011/65/EU. Components may not be CE marked. Additionally, the part numbers that TE has identified as EU ELV compliant have a maximum concentration of 0.1% by weight in homogenous materials for lead, hexavalent chromium, and mercury, and 0.01% for cadmium, or qualify for an exemption to these limits as defined in the Annexes of Directive 2000/53/EC (ELV). Regarding the REACH Regulation, the information TE provides on SVHC in articles for this part number is based on the latest European Chemicals Agency (ECHA) 'Guidance on requirements for substances in articles' posted at this URL: <https://echa.europa.eu/guidance-documents/guidance-on-reach>

Compatible Parts

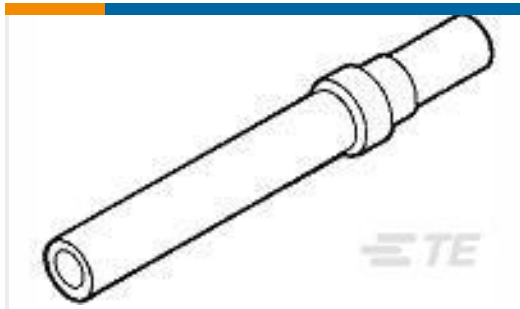


Also in the Series | [MEAS 44000](#)

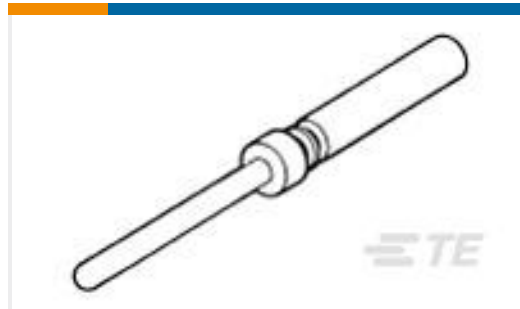


NTC Thermistors(32)

Customers Also Bought



TE Part #206795-3
AMPLIMITE,SKT CONT ASY,SZ 20



TE Part #204370-8
CONT PIN,SZ 22D,NON-MAG



TE Part #206793-1
SZ 20,SOCKET, NON-MAG



TE Part #205089-4
HD 20 PIN CONTACT,NON-MAG



TE Part #322363
DG 22-16COM22-18MIL HR R 4



TE Part #CV21064001
RW-175-E-3/16-X-SP



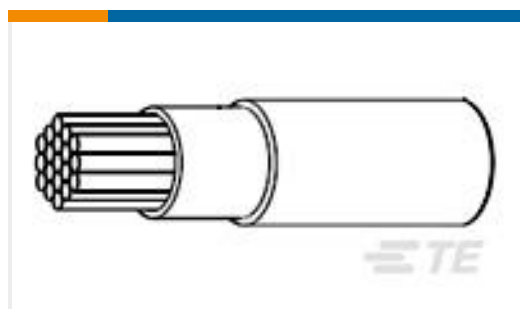
TE Part #207253-2
RECEPT ASSY,9 POSN,AMPLIMITE



TE Part #206805-2
AMPLIMITE RECEPT ASY,50 POS,



TE Part #147393-000
55/0314-28-9



TE Part #4766853004
FLDWC0311-0.25-2

Documents

Datasheets & Catalog Pages

[TESS-ANDO-408-0000050](#)

English

[Model 44000 Series Datasheet](#)

English

[Model 44007 Datasheet](#)

English

