



Product Compliance

[For compliance documentation, visit the product page on TE.com>](#)

EU RoHS Directive 2011/65/EU	Compliant with Exemptions
EU ELV Directive 2000/53/EC	Compliant
China RoHS 2 Directive MIIT Order No 32, 2016	Restricted Materials Above Threshold
EU REACH Regulation (EC) No. 1907/2006	<p>Current ECHA Candidate List: JUNE 2023 (235) Candidate List Declared Against: JAN 2021 (211) SVHC > Threshold: Pb (4% in Component)</p> <p>Article Safe Usage Statements: Do not eat, drink or smoke when using this product. Wash thoroughly after handling. Recycle if possible and dispose of the article by following all applicable governmental regulations relevant to your geographic location.</p>
Halogen Content	Not Low Halogen - contains Br or Cl > 900 ppm.
Solder Process Capability	Not applicable for solder process capability

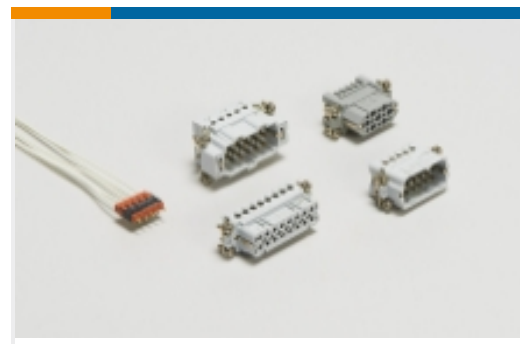
Product Compliance Disclaimer

This information is provided based on reasonable inquiry of our suppliers and represents our current actual knowledge based on the information they provided. This information is subject to change. The part numbers that TE has identified as EU RoHS compliant have a maximum concentration of 0.1% by weight in homogenous materials for lead, hexavalent chromium, mercury, PBB, PBDE, DBP, BBP, DEHP, DIBP, and 0.01% for cadmium, or qualify for an exemption to these limits as defined in the Annexes of Directive 2011/65/EU (RoHS2). Finished electrical and electronic equipment products will be CE marked as required by Directive 2011/65/EU. Components may not be CE marked. Additionally, the part numbers that TE has identified as EU ELV compliant have a maximum concentration of 0.1% by weight in homogenous materials for lead, hexavalent chromium, and mercury, and 0.01% for cadmium, or qualify for an exemption to these limits as defined in the Annexes of Directive 2000/53/EC (ELV). Regarding the REACH Regulation, the information TE provides on SVHC in articles for this part number is based on the latest European Chemicals Agency (ECHA) 'Guidance on requirements for substances in articles' posted at this URL: <https://echa.europa.eu/guidance-documents/guidance-on-reach>

Also in the Series | [HDC HSB](#)



Insertion & Extraction Tools(2)

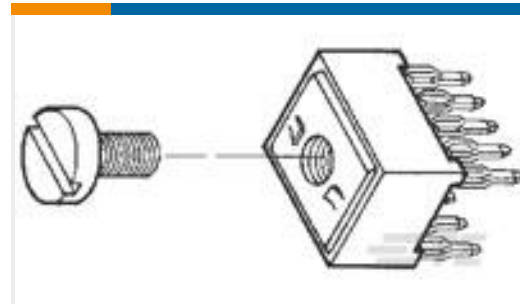


Rectangular Contact Inserts(8)

Customers Also Bought



TE Part #5747841-2
15 MSFL PLUG RA 318 (FM,BL)



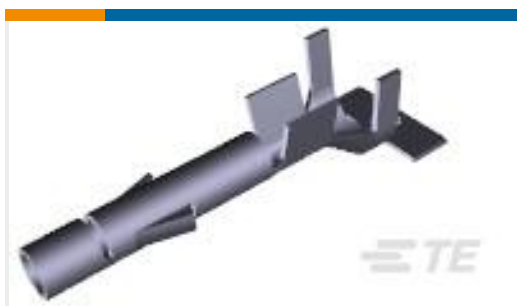
TE Part #5055556-9
10 POWER TAP ASSY .125



TE Part #794894-1
02P MINI UMNL PLUGS WIRE HOLES



TE Part #747521-2
HDP-20,OVRMLD RCPT SUBASSY,SIZ



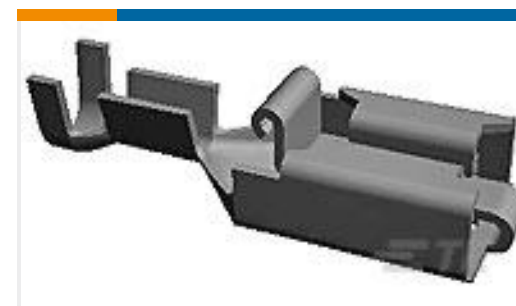
TE Part #926869-1
UNIV.M-N-L.SOCKET



TE Part #166500-2
TANDEM SPRING REC



TE Part #207526-9
SKT HDR ASSY,9P,MMATE LF



TE Part #160831-3
250 PL MKI REC. 17-13AWG TPBR



TE Part #1241148-5
0-966711-5MAGAZ320X



TE Part #5-2158000-1
RZHH-1A4-D012-EX1

Documents

Product Drawings

[HE.Q5.BU.C](#)

English

CAD Files

[3D PDF](#)

3D

[Customer View Model](#)

[ENG_CVM_CVM_1102194-1_A_c-1102194-1-a.2d_dxf.zip](#)



English

Customer View Model

[ENG_CVM_CVM_1102194-1_A_c-1102194-1-a.3d_igs.zip](#)

English

Customer View Model

[ENG_CVM_CVM_1102194-1_A_c-1102194-1-a.3d_stp.zip](#)

English

By downloading the CAD file I accept and agree to the [Terms and Conditions](#) of use.

Agency Approvals

[Agency Approval Document](#)

English