

1057290-1 ✓ ACTIVE

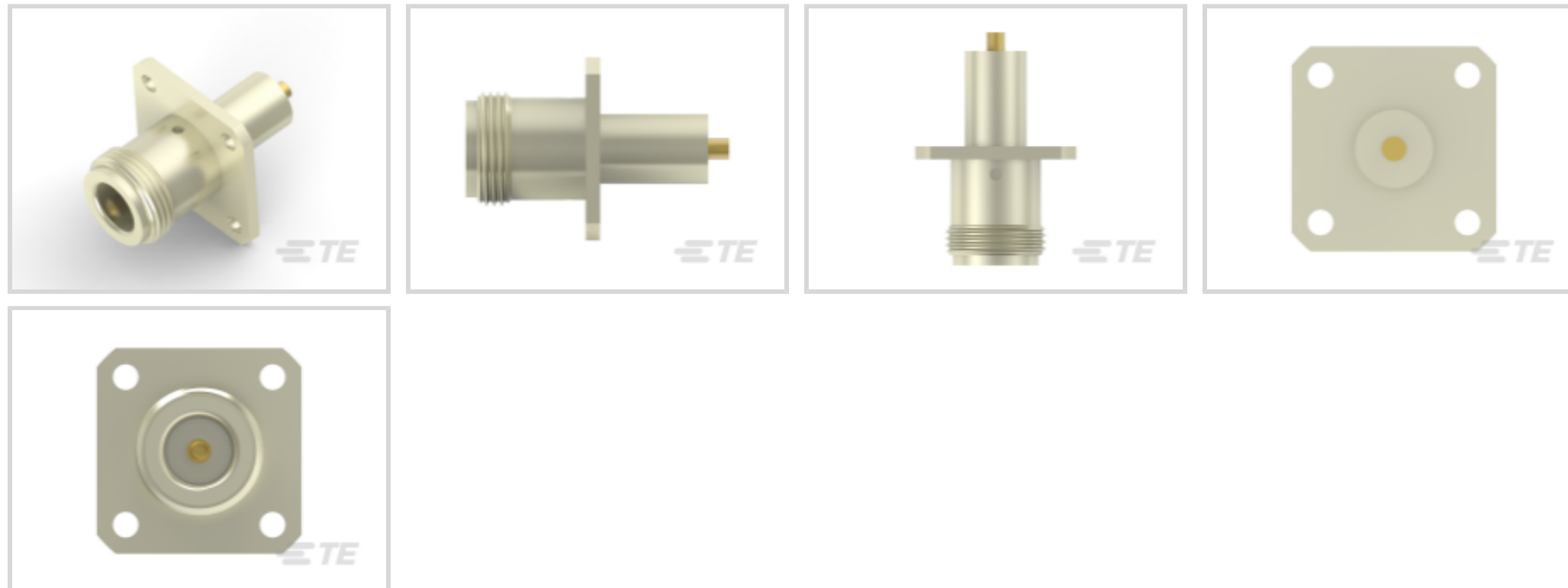
TE Internal #: 1057290-1

N Type RF Interface, Jack, 50 Ω , Threaded, 11 GHz Operating Frequency, Cable-to-Cable, 1 Position, Wire & Cable, Panel Mount

[View on TE.com >](#)



Connectors > RF Connectors > Coax Connectors



RF Interface: **N Type**

RF Connector Style: **Jack**

RF Connector Mated Outer Diameter (Approximate): **19.05 mm [.75 in]**

Impedance: **50 Ω**

RF Connector Coupling Mechanism: **Threaded**

Features

Product Type Features

RF Interface	N Type
RF Connector Style	Jack
Connector System	Cable-to-Cable
Sealable	No
Connector & Contact Terminates To	Wire & Cable

Configuration Features

Number of Positions	1
Number of Coaxial Contacts	1

Electrical Characteristics

Impedance	50 Ω
-----------	-------------

Body Features

Body Material	Brass
Body Material Finish	Plated
Body Plating Material	Nickel

Contact Features



RF Connector Center Contact Underplating Material	Copper
RF Connector Contact Configuration	Captivated Contacts
RF Connector Center Contact Plating Material	Gold
RF Connector Center Contact Material	Beryllium Copper

Termination Features

Termination Method to Wire & Cable	Crimp
------------------------------------	-------

Mechanical Attachment

Panel Attachment Style	Front Mount
Panel Mount Feature Type	Flange
RF Connector Coupling Mechanism	Threaded
Connector Mounting Type	Panel Mount
RF Contact Captivation Method	Epoxy
Detent	Without

Dimensions

RF Connector Mated Outer Diameter (Approximate)	19.05 mm[.75 in]
---	------------------

Usage Conditions

Operating Temperature Range	-65 – 165 °C[-85 – 329 °F]
-----------------------------	----------------------------

Operation/Application

Operating Frequency	11 GHz
---------------------	--------

Packaging Features

Packaging Method	Bag
------------------	-----

Other

Grade	Mil-Type
Dielectric Material	PTFE Fluorocarbon

Product Compliance

For compliance documentation, visit the product page on [TE.com](https://www.te.com)>

EU RoHS Directive 2011/65/EU	Compliant with Exemptions
EU ELV Directive 2000/53/EC	Compliant with Exemptions
China RoHS 2 Directive MIIT Order No 32, 2016	Restricted Materials Above Threshold
EU REACH Regulation (EC) No. 1907/2006	Current ECHA Candidate List: JUNE 2023 (235)



Candidate List Declared Against: JUL 2021 (219)

SVHC > Threshold:

Pb (3.7% in Component Part)

Article Safe Usage Statements:

Do not eat, drink or smoke when using this product. Wash thoroughly after handling. Recycle if possible and dispose of the article by following all applicable governmental regulations relevant to your geographic location.

Halogen Content Low Bromine/Chlorine - Br and Cl < 900 ppm per homogenous material. Also BFR /CFR/PVC Free

Solder Process Capability

Pin-in-Paste capable to 260°C

Product Compliance Disclaimer

This information is provided based on reasonable inquiry of our suppliers and represents our current actual knowledge based on the information they provided. This information is subject to change. The part numbers that TE has identified as EU RoHS compliant have a maximum concentration of 0.1% by weight in homogenous materials for lead, hexavalent chromium, mercury, PBB, PBDE, DBP, BBP, DEHP, DIBP, and 0.01% for cadmium, or qualify for an exemption to these limits as defined in the Annexes of Directive 2011/65/EU (RoHS2). Finished electrical and electronic equipment products will be CE marked as required by Directive 2011/65/EU. Components may not be CE marked. Additionally, the part numbers that TE has identified as EU ELV compliant have a maximum concentration of 0.1% by weight in homogenous materials for lead, hexavalent chromium, and mercury, and 0.01% for cadmium, or qualify for an exemption to these limits as defined in the Annexes of Directive 2000/53/EC (ELV). Regarding the REACH Regulation, the information TE provides on SVHC in articles for this part number is based on the latest European Chemicals Agency (ECHA) 'Guidance on requirements for substances in articles' posted at this URL: <https://echa.europa.eu/guidance-documents/guidance-on-reach>

Compatible Parts



TE Part # 1-1337429-0
BNC Str Plg Hex 75Ohm Silver Pltd RG59B/



TE Part # 1-1478904-0
SMA STR PLG DS RG405 GSS



TE Part # 1-2016657-0
N M DOUBLE,18G,1.0M WITHOUT ARMOR



TE Part # 1-2016658-0
N M DOUBLE,18G,1.0M WITH ARMOR,PUR



TE Part # 1-2016703-0
N M TO SMA M,18G,1.0M WITH ARMOR



TE Part # 1-1337548-0
BNC RM BHJ Hex 50Ohm Nickel Pltd RG174A/



TE Part # 1-1478420-0
N Str Plg PS 50Ohm Silver Pltd PSF1 /4M,



TE Part # 1-1478419-0
N Str Plg PS 50Ohm Silver Pltd RG58C /U,



TE Part # 1057088-1
3001 7941 00



TE Part # 1-1478418-0
N R/A Plg PS 50Ohm Silver Pltd PSF 1 /4M,



TE Part # 1-1478903-0
SMA STR PLG DS RG402 GSS



TE Part # 1-2016657-5
N M DOUBLE,18G,1.5M WITHOUT ARMOR



TE Part # 1-2016658-5
N M DOUBLE,18G,1.5M WITH ARMOR,PUR



TE Part # 1-2016703-5
N M TO SMA M,18G,1.5M WITH ARMOR



TE Part # 2016657-6
N M DOUBLE,18G,0.6M WITHOUT ARMOR



TE Part # 2016658-6
N M DOUBLE,18G,0.6M WITH ARMOR,PUR



TE Part # 2016703-6
N M TO SMA M,18G,0.6M WITH ARMOR



TE Part # 5225392-7
SERIES N PLUG



TE Part # 225392-2
SERIES N PLUG W/PROOF

Customers Also Bought



TE Part #5-1879213-8
CPF 0402 107R 0.1% 25PPM 1K RL




TE Part #5-146257-5
10P MODII HDR DRST B/A LF



TE Part #5-160321-2
FASTON 110 REC 22-20 AWG ELECTRO TPBR



TE Part #213890-2
CPC RECPT SEALED SIZE 17-3



TE Part #2317404-1
AV19 SPM 3A FIXED RING R&G 12V



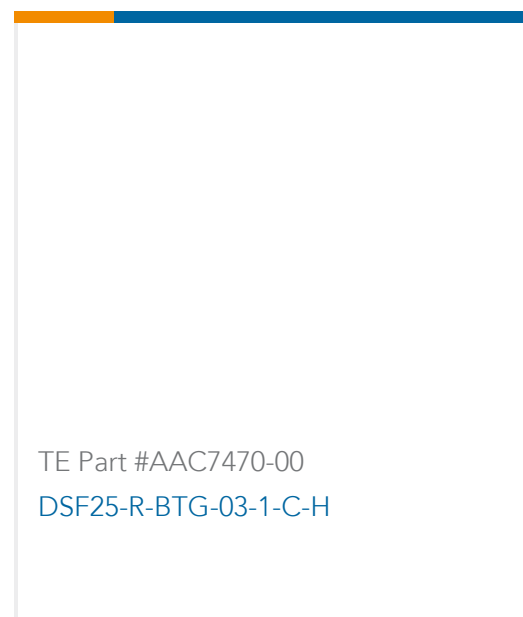
TE Part #2329359-4
PN OFF/ON HC GRE M1 TERM IP68 500MM LHS



TE Part #316013-000
55A1121-22-6/9-9



TE Part #1051018-1
2004 7985 00



Documents

Product Drawings

[3052 1201 10,N SERIES FM PLUG](#)

English

CAD Files

[3D PDF](#)

3D

Customer View Model

[ENG_CVM_CVM_1057290-1_A.2d_dxf.zip](#)

English

Customer View Model

[ENG_CVM_CVM_1057290-1_A.3d_igs.zip](#)

English

Customer View Model

[ENG_CVM_CVM_1057290-1_A.3d_stp.zip](#)

English

By downloading the CAD file I accept and agree to the [Terms and Conditions](#) of use.

Product Environmental Compliance

[Product Compliance](#)

English

[Product Compliance](#)

English