

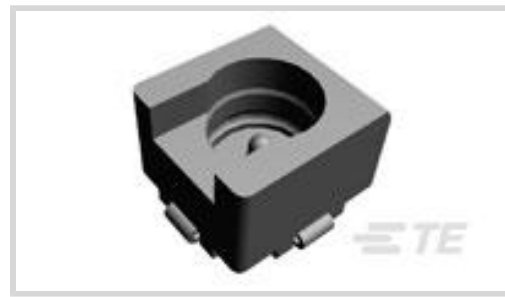
1055692-1 ✓ ACTIVE



TE Internal #: 1055692-1
SSMT RF Interface, Plug, 50 Ω , Snap-On, 6 GHz Operating
Frequency, Cable-to-Cable, 1 Position, Printed Circuit Board, Board
Mount

[View on TE.com >](#)

Connectors > RF Connectors > Coax Connectors



RF Interface: **SSMT**
RF Connector Style: **Plug**
Impedance: **50 Ω**
RF Connector Coupling Mechanism: **Snap-On**
Operating Frequency: **6 GHz**

Features

Product Type Features

RF Interface	SSMT
RF Connector Style	Plug
Connector System	Cable-to-Cable
Sealable	No
Connector & Contact Terminates To	Printed Circuit Board

Configuration Features

PCB Mount Orientation	Vertical
Number of Positions	1
Number of Coaxial Contacts	1

Electrical Characteristics

Impedance	50 Ω
-----------	-------------

Body Features

Body Material	Polyphenylene Sulfide (PPS)
Body Material Finish	Plated
Body Plating Material	Gold

Contact Features

RF Connector Center Contact Underplating Material	Nickel
RF Connector Center Contact Plating Material	Gold



RF Connector Center Contact Material	Copper Alloy
--------------------------------------	--------------

Termination Features

Termination Method to Printed Circuit Board	Surface Mount
---	---------------

Mechanical Attachment

RF Connector Coupling Mechanism	Snap-On
---------------------------------	---------

Connector Mounting Type	Board Mount
-------------------------	-------------

Detent	Without
--------	---------

Dimensions

Profile Height from PCB	3 mm[.118 in]
-------------------------	---------------

Usage Conditions

Operating Temperature Range	-40 – 125 °C[-40 – 257 °F]
-----------------------------	----------------------------

Operation/Application

Operating Frequency	6 GHz
---------------------	-------

Packaging Features

Packaging Quantity	2500
--------------------	------

Packaging Method	Tape & Reel
------------------	-------------

Other

RF Connector Comment	No engagement tool required., Requires part number 1055886-1 Disengagement Tool.
----------------------	--

Product Compliance

[For compliance documentation, visit the product page on TE.com>](#)

EU RoHS Directive 2011/65/EU	Compliant
------------------------------	-----------

EU ELV Directive 2000/53/EC	Compliant
-----------------------------	-----------

China RoHS 2 Directive MIIT Order No 32, 2016	No Restricted Materials Above Threshold
---	---

EU REACH Regulation (EC) No. 1907/2006	Current ECHA Candidate List: JUNE 2023 (235) Candidate List Declared Against: JUNE 2023 (235) Does not contain REACH SVHC
--	---

Halogen Content	Low Halogen - Br, Cl, F, I < 900 ppm per homogenous material. Also BFR/CFR/PVC Free
-----------------	---

Solder Process Capability	Reflow solder capable to 260°C
---------------------------	--------------------------------



Product Compliance Disclaimer

This information is provided based on reasonable inquiry of our suppliers and represents our current actual knowledge based on the information they provided. This information is subject to change. The part numbers that TE has identified as EU RoHS compliant have a maximum concentration of 0.1% by weight in homogenous materials for lead, hexavalent chromium, mercury, PBB, PBDE, DBP, BBP, DEHP, DIBP, and 0.01% for cadmium, or qualify for an exemption to these limits as defined in the Annexes of Directive 2011/65/EU (RoHS2). Finished electrical and electronic equipment products will be CE marked as required by Directive 2011/65/EU. Components may not be CE marked. Additionally, the part numbers that TE has identified as EU ELV compliant have a maximum concentration of 0.1% by weight in homogenous materials for lead, hexavalent chromium, and mercury, and 0.01% for cadmium, or qualify for an exemption to these limits as defined in the Annexes of Directive 2000/53/EC (ELV). Regarding the REACH Regulation, the information TE provides on SVHC in articles for this part number is based on the latest European Chemicals Agency (ECHA) 'Guidance on requirements for substances in articles' posted at this URL: <https://echa.europa.eu/guidance-documents/guidance-on-reach>

Compatible Parts



TE Part # 1064538-1
9960 2200 24,CABLE ASSEMBLY



TE Part # 1064530-1
9960 1200 24



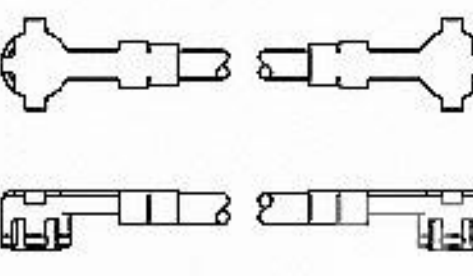
TE Part # 1064524-1
9960 1100 24



TE Part # 1064540-1
9960 2305 24



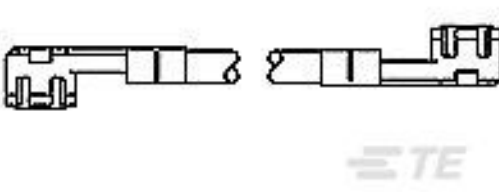
TE Part # 1064542-1
9960 2510 24



TE Part # 1064533-1
9960 1305 24



TE Part # 1064535-1
9960 2100 24, SSMT, RT. ANGLE



TE Part # 1082845-1
9960 3100 24

Customers Also Bought



TE Part #1-332070-4
SOCKET,MIN-SPR W/H AU SER-4



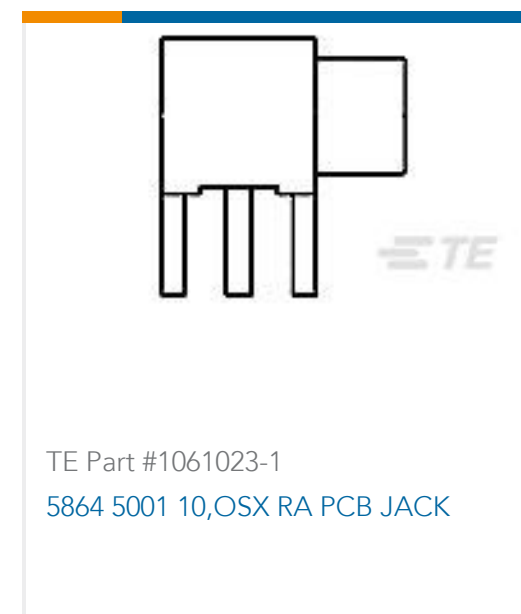
TE Part #1825095-1
TP11CGPC004



TE Part #9-2176412-9
5W XSM M/OX 5% 62K



TE Part #9-2176306-1
RP 1E 0.1W 10K 0.1% 25PPM 5K RL



Documents

Product Drawings

[2367 5016 54 OSMT PLUG,2500/RL](#)

English

CAD Files

[3D PDF](#)

English

Customer View Model

[ENG_CVM_1055692-1_C.2d_dxf.zip](#)

English

Customer View Model

[ENG_CVM_1055692-1_C.3d_igs.zip](#)

English

Customer View Model

[ENG_CVM_1055692-1_C.3d_stp.zip](#)

English

By downloading the CAD file I accept and agree to the [Terms and Conditions](#) of use.

Datasheets & Catalog Pages

[1307191 RF Coax Products Catalog](#)

English