



## Product Compliance

[For compliance documentation, visit the product page on TE.com>](#)

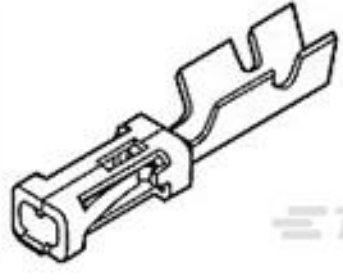
|   |   |
|---|---|
| EU RoHS Directive 2011/65/EU                  | Compliant   |
| EU ELV Directive 2000/53/EC                   | Out of Scope  |
| China RoHS 2 Directive MIIT Order No 32, 2016 | No Restricted Materials Above Threshold   |
| EU REACH Regulation (EC) No. 1907/2006        | Current ECHA Candidate List: JUNE 2023 (235)<br>Candidate List Declared Against: JUNE 2023 (235)<br>Does not contain REACH SVHC |
| Halogen Content                               | Low Halogen - Br, Cl, F, I < 900 ppm per homogenous material. Also BFR/CFR/PVC Free   |
| Solder Process Capability                     | Not applicable for solder process capability  |

### Product Compliance Disclaimer

This information is provided based on reasonable inquiry of our suppliers and represents our current actual knowledge based on the information they provided. This information is subject to change. The part numbers that TE has identified as EU RoHS compliant have a maximum concentration of 0.1% by weight in homogenous materials for lead, hexavalent chromium, mercury, PBB, PBDE, DBP, BBP, DEHP, DIBP, and 0.01% for cadmium, or qualify for an exemption to these limits as defined in the Annexes of Directive 2011/65/EU (RoHS2). Finished electrical and electronic equipment products will be CE marked as required by Directive 2011/65/EU. Components may not be CE marked. Additionally, the part numbers that TE has identified as EU ELV compliant have a maximum concentration of 0.1% by weight in homogenous materials for lead, hexavalent chromium, and mercury, and 0.01% for cadmium, or qualify for an exemption to these limits as defined in the Annexes of Directive 2000/53/EC (ELV). Regarding the REACH Regulation, the information TE provides on SVHC in articles for this part number is based on the latest European Chemicals Agency (ECHA) 'Guidance on requirements for substances in articles' posted at this URL: <https://echa.europa.eu/guidance-documents/guidance-on-reach>

## Customers Also Bought

|  |  |   |  |
|--|--|---|--|
|  <p>TE Part #1-2176308-5<br/>RP 1E 0.1W 187K 0.1% 25PPM 5K RL</p> |  <p>TE Part #2-767004-2<br/>MICT,RECPT,038,ASSY,.025,REC</p> |  <p>TE Part #1410187-3<br/>MULTIGIG RT T2 7RW DC DF CT</p> |  <p>TE Part #1054869-1<br/>2084 0000 02</p> |
|--|--|---|--|



TE Part #86015-2  
MOD IV RECP LP



TE Part #2101924-4  
8 POS PCB MNT RF MODULE W/  
PINS & MARK

TE Part #1484778-1  
KIT,SHELL,PLUG,SIZE 1,ARINC600

TE Part #2321032-1  
TERMINATOR, SMPM JACK, 50 OHM  
VITA 67



TE Part #1055479-1  
2098 5287 54

TE Part #Y50516-442PV003000  
HERM RECP