

1053374-1 ✓ ACTIVE

[AMP](#) | [AMP SMA](#)

TE Internal #: 1053374-1

SMA RF Interface, Jack, 50  $\Omega$ , Threaded, 18 GHz Operating Frequency, 1 Position, Printed Circuit Board, Board Mount, AMP SMA

[View on TE.com >](#)



Connectors > RF Connectors > Coax Connectors



RF Interface: **SMA**

RF Connector Style: **Jack**

RF Connector Mated Outer Diameter (Approximate): **8.99 mm [ .354 in ]**

Impedance: **50  $\Omega$**

RF Connector Coupling Mechanism: **Threaded**

## Features

### Product Type Features

Connector Product Type	Connector Assembly
RF Interface	SMA
RF Connector Style	Jack
Connector & Contact Terminates To	Printed Circuit Board

### Configuration Features

PCB Mount Orientation	Vertical
Number of Positions	1
Number of Coaxial Contacts	1

### Electrical Characteristics

Impedance	50 $\Omega$
-----------	-------------

### Body Features

Body Material	Stainless Steel
Body Material Finish	Plated
Body Plating Material	Gold

### Contact Features

RF Connector Center Contact Underplating Material	Copper, Nickel
RF Connector Contact Configuration	Captivated Contacts
RF Connector Center Contact Plating Material	Gold



RF Connector Center Contact Material

Beryllium Copper

### Termination Features

Termination Post &amp; Tail Length

3.2 mm[.125 in]

Termination Method to Printed Circuit Board

Through Hole - Solder

### Mechanical Attachment

RF Connector Coupling Mechanism

Threaded

Connector Mounting Type

Board Mount

RF Contact Captivation Method

Mechanical

### Dimensions

Profile Height from PCB

9.5 mm[.375 in]

Product Length

9.53 mm[.375 in]

RF Connector Mated Outer Diameter (Approximate)

8.99 mm[.354 in]

### Usage Conditions

Operating Temperature Range

-65 – 125 °C[-85 – 257 °F]

### Operation/Application

Operating Frequency

18 GHz

### Packaging Features

Packaging Method

Package

### Other

Dielectric Material

PTFE

## Product Compliance

For compliance documentation, visit the product page on [TE.com](https://www.te.com)>

EU RoHS Directive 2011/65/EU

Compliant with Exemptions

EU ELV Directive 2000/53/EC

Compliant with Exemptions

China RoHS 2 Directive MIIT Order No 32, 2016

Restricted Materials Above Threshold

EU REACH Regulation (EC) No. 1907/2006

Current ECHA Candidate List: JUNE 2023  
(235)  
Candidate List Declared Against: JAN 2021  
(211)  
SVHC > Threshold:  
Pb (.6% in Component Part)

#### Article Safe Usage Statements:

Do not eat, drink or smoke when using this product. Wash thoroughly after handling. Recycle if possible and dispose of the article by following all applicable governmental regulations relevant to your geographic location.



Halogen Content

Not Yet Reviewed for halogen content

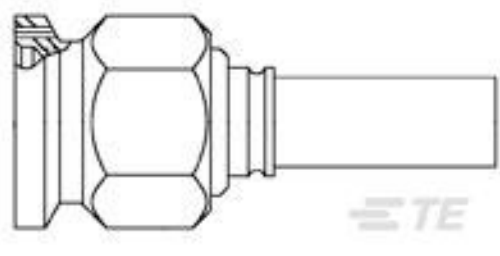
Solder Process Capability

Wave solder capable to 265°C

Product Compliance Disclaimer


This information is provided based on reasonable inquiry of our suppliers and represents our current actual knowledge based on the information they provided. This information is subject to change. The part numbers that TE has identified as EU RoHS compliant have a maximum concentration of 0.1% by weight in homogenous materials for lead, hexavalent chromium, mercury, PBB, PBDE, DBP, BBP, DEHP, DIBP, and 0.01% for cadmium, or qualify for an exemption to these limits as defined in the Annexes of Directive 2011/65/EU (RoHS2). Finished electrical and electronic equipment products will be CE marked as required by Directive 2011/65/EU. Components may not be CE marked. Additionally, the part numbers that TE has identified as EU ELV compliant have a maximum concentration of 0.1% by weight in homogenous materials for lead, hexavalent chromium, and mercury, and 0.01% for cadmium, or qualify for an exemption to these limits as defined in the Annexes of Directive 2000/53/EC (ELV). Regarding the REACH Regulation, the information TE provides on SVHC in articles for this part number is based on the latest European Chemicals Agency (ECHA) 'Guidance on requirements for substances in articles' posted at this URL: <https://echa.europa.eu/guidance-documents/guidance-on-reach>

### Compatible Parts




TE Part # 1051797-1  
2031 8112 92


### Also in the Series | AMP SMA




Battery Holders(1)



Coax Connectors(295)



Connector Savers & Adapters(12)



Rack & Panel Ferrules & Inserts(1)



RF Cable Assemblies(2)



RF Connector Hardware(2)



RF Connector Launchers(8)



RF Connector Shrouds(3)



RF Terminators(1)

### Customers Also Bought



TE Part #5352152-4  
Z-PACK/B22 RAF 110P



TE Part #5102160-6  
A/L UNIV HDR 26P RA



TE Part #2176053-3  
RLP73M 2A R062 1% 1K RL



TE Part #2176117-3  
TLR 1206 1.0W R001 1% 50PPM 2K RL



TE Part #5-1734857-5  
PCI EXP STRADDLE 36P BLK 30u"



TE Part #8-2176390-0  
RQ 1206 7K68 0.1% 10PPM 5K RL



TE Part #1878681-7  
QUP3GR

### Documents

#### Product Drawings

[2062 8002 90](#)

English

#### CAD Files

[3D PDF](#)

3D

Customer View Model

[ENG\\_CVM\\_CVM\\_1053374-1\\_E.2d\\_dxf.zip](#)

English

Customer View Model

[ENG\\_CVM\\_CVM\\_1053374-1\\_E.3d\\_igs.zip](#)

English

Customer View Model

[ENG\\_CVM\\_CVM\\_1053374-1\\_E.3d\\_stp.zip](#)

English

By downloading the CAD file I accept and agree to the [Terms and Conditions](#) of use.

1053374-1

SMA RF Interface, Jack, 50  $\Omega$ , Threaded, 18 GHz Operating Frequency, 1 Position,  
Printed Circuit Board, Board Mount, AMP SMA



---

[Datasheets & Catalog Pages](#)

[Products for Aerospace and Defense](#)

English