

1052566-1 ✓ ACTIVE

AMP SMA

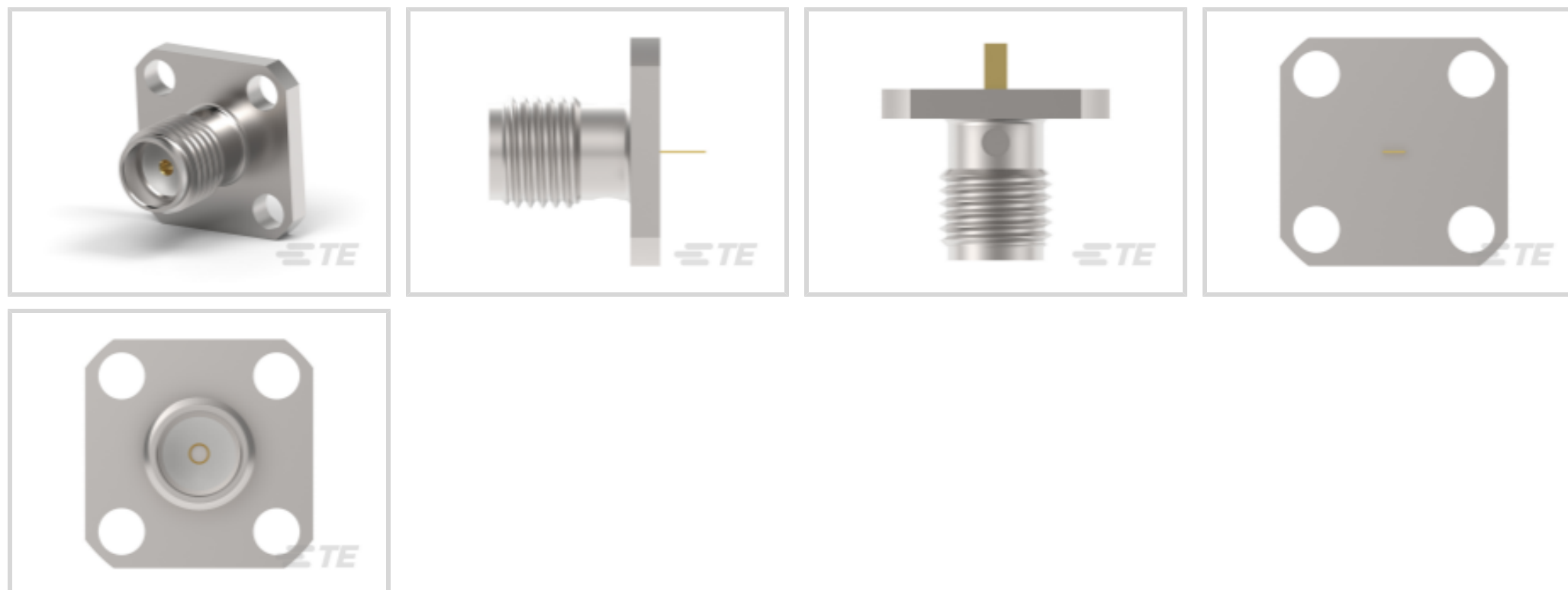
TE Internal #: 1052566-1

SMA RF Interface, Jack, 50 Ω , Threaded, 18 GHz Operating Frequency, Cable-to-Panel, 1 Position, Panel Mount, -65 – 125 °C [-85 – 257 °F], AMP SMA

[View on TE.com >](#)



Connectors > RF Connectors > Coax Connectors



RF Interface: **SMA**

RF Connector Style: **Jack**

RF Connector Mated Outer Diameter (Approximate): **6.35 mm [.25 in]**

Impedance: **50 Ω**

RF Connector Coupling Mechanism: **Threaded**

Features

Product Type Features

Connector Product Type	Connector Assembly
RF Interface	SMA
RF Connector Style	Jack
Connector System	Cable-to-Panel
Sealable	No

Configuration Features

Number of Positions	1
Number of Coaxial Contacts	1

Electrical Characteristics

Impedance	50 Ω
-----------	-------------

Body Features

Cable Connector Orientation	Straight
Body Material	Stainless Steel
Body Material Finish	Passivated

Contact Features

RF Connector Center Contact Underplating Material	Copper
RF Connector Contact Configuration	Captivated Contacts
RF Connector Center Contact Plating Material	Gold
RF Connector Center Contact Material	Beryllium Copper

Termination Features

Termination Method to Wire & Cable	Solder
------------------------------------	--------

Mechanical Attachment

Panel Attachment Style	Rear Mount
Panel Mount Feature Type	Flange
RF Connector Coupling Mechanism	Threaded
Connector Mounting Type	Panel Mount
RF Contact Captivation Method	Epoxy
Detent	Without

Dimensions

Product Length	12.1 mm[.476 in]
RF Connector Mated Outer Diameter (Approximate)	6.35 mm[.25 in]

Usage Conditions

Operating Temperature Range	-65 – 125 °C[-85 – 257 °F]
-----------------------------	----------------------------

Operation/Application

Operating Frequency	18 GHz
---------------------	--------

Packaging Features

Packaging Method	Carton
------------------	--------

Other

Number of Panel Mounting Holes	4
Dielectric Material	TFE Fluorocarbon

Product Compliance

[For compliance documentation, visit the product page on TE.com>](#)

EU RoHS Directive 2011/65/EU	Compliant with Exemptions
EU ELV Directive 2000/53/EC	Compliant with Exemptions



China RoHS 2 Directive MIIT Order No 32, 2016

Restricted Materials Above Threshold

EU REACH Regulation (EC) No. 1907/2006

Current ECHA Candidate List: JUNE 2023 (235)

Candidate List Declared Against: JUL 2021 (219)

SVHC > Threshold:

Pb (.6% in Component Part)

Article Safe Usage Statements:
Do not eat, drink or smoke when using this product. Wash thoroughly after handling. Recycle if possible and dispose of the article by following all applicable governmental regulations relevant to your geographic location.

Halogen Content

Low Bromine/Chlorine - Br and Cl < 900 ppm per homogenous material. Also BFR /CFR/PVC Free

Solder Process Capability

Pin-in-Paste capable to 260°C

Product Compliance Disclaimer

This information is provided based on reasonable inquiry of our suppliers and represents our current actual knowledge based on the information they provided. This information is subject to change. The part numbers that TE has identified as EU RoHS compliant have a maximum concentration of 0.1% by weight in homogenous materials for lead, hexavalent chromium, mercury, PBB, PBDE, DBP, BBP, DEHP, DIBP, and 0.01% for cadmium, or qualify for an exemption to these limits as defined in the Annexes of Directive 2011/65/EU (RoHS2). Finished electrical and electronic equipment products will be CE marked as required by Directive 2011/65/EU. Components may not be CE marked. Additionally, the part numbers that TE has identified as EU ELV compliant have a maximum concentration of 0.1% by weight in homogenous materials for lead, hexavalent chromium, and mercury, and 0.01% for cadmium, or qualify for an exemption to these limits as defined in the Annexes of Directive 2000/53/EC (ELV). Regarding the REACH Regulation, the information TE provides on SVHC in articles for this part number is based on the latest European Chemicals Agency (ECHA) 'Guidance on requirements for substances in articles' posted at this URL: <https://echa.europa.eu/guidance-documents/guidance-on-reach>

Compatible Parts



TE Part # 1050548-1
2001 5032 02



TE Part # 1050524-1
2001 5003 00,SMA CABLE PLUG



TE Part # 1050859-1
2002 5016 00



TE Part # 1052098-1
2037 5100 02



TE Part # 1050720-1
2001 7188 00



TE Part # 1050602-1
2001 5395 02



TE Part # 1050547-1
2001 5032 00



TE Part # 6274096-1
JACK ASSEMBLY, ACTION PIN, SMA



TE Part # 1050525-1
2001 5003 02,SMA CABLE PLUG



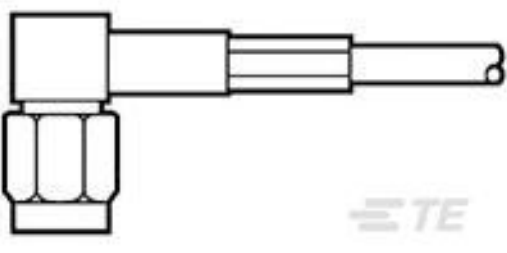
TE Part # 2081005-1
ASSY. SMA JACK PCB EDGE MOUNT



TE Part # 1408541-1
PUSH ON SMA CABLE PLUG



TE Part # 1053265-1
2058 5329 02



TE Part # 1-447651-0
PLUG R/A,SMA,HEX CRIMP COMM



TE Part # 1050999-3
SMA S/T JACK RG195 CABLE,CRIMP END



TE Part # 1051933-3
OSM STRAIGHT JACK



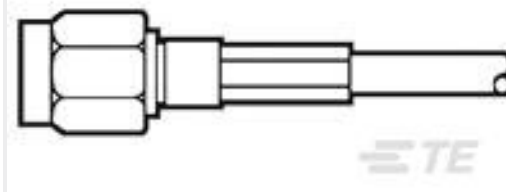
TE Part # 1052633-1
2052 3356 00



TE Part # 1253729-1
2837 7316 00



TE Part # 1408442-3
SMA STRAIGHT PLUG CABLE END




TE Part # 6082034-1
2231 7388 36




TE Part # 6086274-1
2234 7388 36


Also in the Series | AMP SMA




Battery Holders(1)




Coax Connectors(295)



Connector Caps & Covers(3)




Connector Savers & Adapters(12)




Rack & Panel Ferrules & Inserts(1)



RF Cable Assemblies(2)



RF Connector Hardware(2)



RF Connector Launchers(8)



RF Terminators(1)

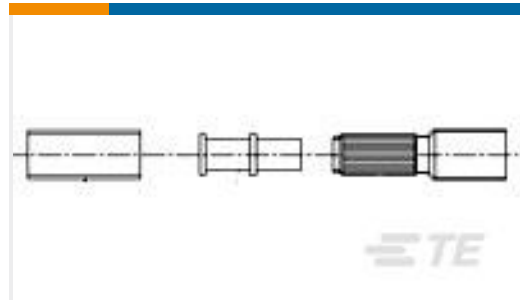
Customers Also Bought



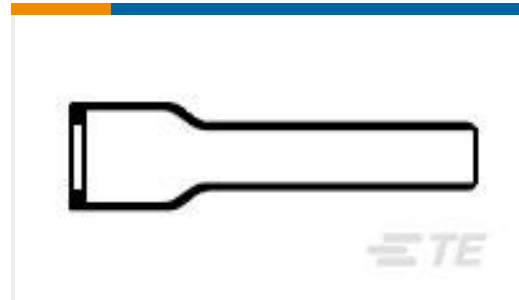
TE Part #3-111196-3
80 RCPT SYSTEM 50 30 DPLX



TE Part #1052422-1
2052 0000 02,SMA FM JACK RECPT



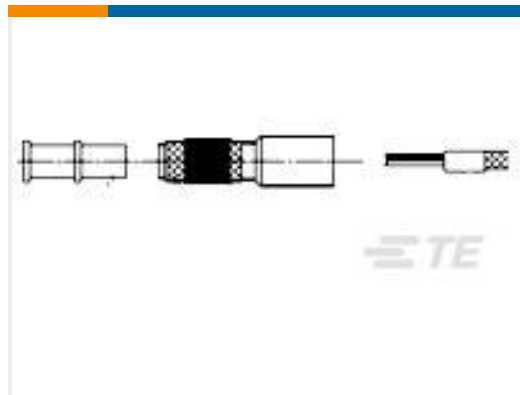
TE Part #598705-000
HET-A-03C



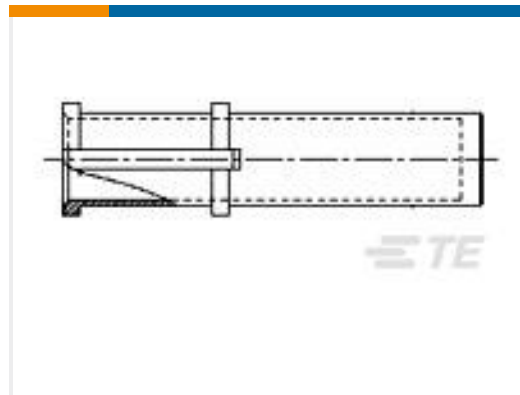
TE Part #811138-000
202D211-12-0



TE Part #NB19334001
RNF100-WH Heat shrink Tubing



TE Part #730181-000
HET-A-04C



TE Part #688576-000
HEX07-AC



TE Part #625159-000
D-110-35



TE Part #621055-000
D-142-51

Documents

Product Drawings

[2052 1618 02,SMA FM JACK RECPT](#)

English

CAD Files

[3D PDF](#)

[3D](#)

[Customer View Model](#)

[ENG_CVM_CVM_1052566-1_A.2d_dxf.zip](#)



English

Customer View Model

[ENG_CVM_CVM_1052566-1_A.3d_igs.zip](#)

English

Customer View Model

[ENG_CVM_CVM_1052566-1_A.3d_stp.zip](#)

English

By downloading the CAD file I accept and agree to the [Terms and Conditions](#) of use.

Datasheets & Catalog Pages

[SMA Connectors](#)

English

Product Environmental Compliance

[Product Compliance](#)

English

[Product Compliance](#)

English