

104891-3 ✓ ACTIVE

AMPMODU | AMPMODU 50/50 Grid

TE Internal #: 104891-3

Terminating, Black, Polyester, 30 Position, AMPMODU 50/50 Grid

[View on TE.com >](#)



Connectors > Connector Accessories > Connector Caps & Covers



Connector Cover Type: **Terminating**

Primary Product Color: **Black**

Primary Product Material: **Polyester**

Number of Positions: **30**

Operating Temperature (Max): **105 °C [ 221 °F ]**

## Features

### Product Type Features

Product Profile	Standard
Connector Cover Type	Terminating

### Configuration Features

Number of Rows	2
Number of Positions	30

### Body Features

Connector Cover Side	Front
Primary Product Color	Black
Primary Product Material	Polyester

### Housing Features

Centerline (Pitch)	1.27 mm[.05 in]
--------------------	-----------------

### Dimensions

Row-to-Row Spacing	1.27 mm[.05 in]
--------------------	-----------------

### Usage Conditions

Operating Temperature (Max)	105 °C[221 °F]
Operating Temperature Range	-65 – 105 °C[-85 – 221 °F]

### Industry Standards

UL Flammability Rating	UL 94V-0
------------------------	----------



## Product Compliance

[For compliance documentation, visit the product page on TE.com>](#)

EU RoHS Directive 2011/65/EU	Compliant
EU ELV Directive 2000/53/EC	Compliant
China RoHS 2 Directive MIIT Order No 32, 2016	No Restricted Materials Above Threshold
EU REACH Regulation (EC) No. 1907/2006	Current ECHA Candidate List: JUNE 2023 (235) Candidate List Declared Against: JUNE 2023 (235) Does not contain REACH SVHC
Halogen Content	Not Low Halogen - contains Br or Cl > 900 ppm.
Solder Process Capability	Not applicable for solder process capability

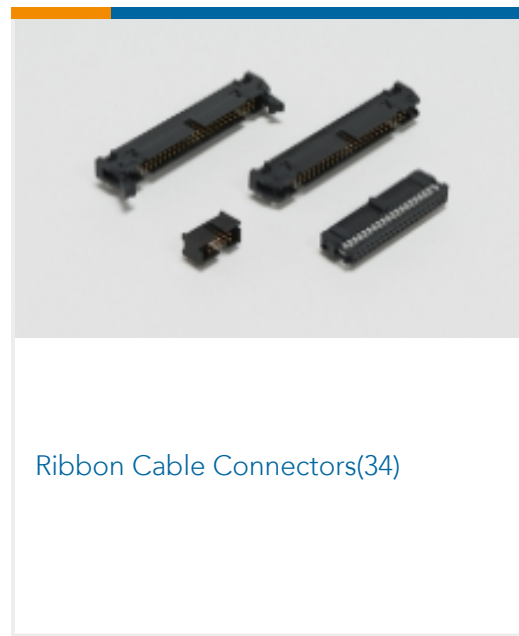
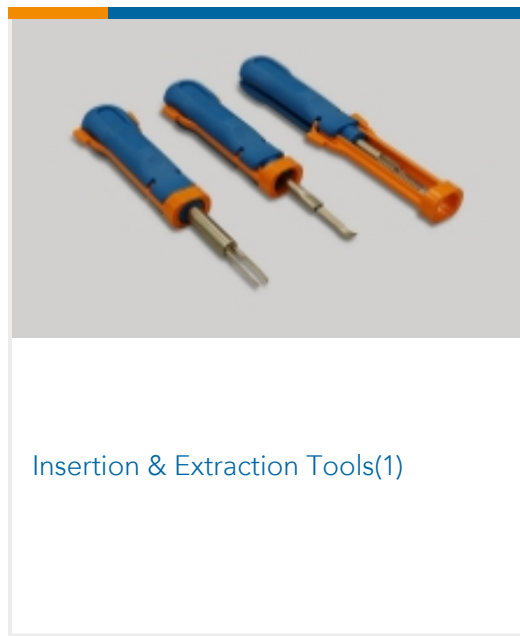
### Product Compliance Disclaimer

This information is provided based on reasonable inquiry of our suppliers and represents our current actual knowledge based on the information they provided. This information is subject to change. The part numbers that TE has identified as EU RoHS compliant have a maximum concentration of 0.1% by weight in homogenous materials for lead, hexavalent chromium, mercury, PBB, PBDE, DBP, BBP, DEHP, DIBP, and 0.01% for cadmium, or qualify for an exemption to these limits as defined in the Annexes of Directive 2011/65/EU (RoHS2). Finished electrical and electronic equipment products will be CE marked as required by Directive 2011/65/EU. Components may not be CE marked. Additionally, the part numbers that TE has identified as EU ELV compliant have a maximum concentration of 0.1% by weight in homogenous materials for lead, hexavalent chromium, and mercury, and 0.01% for cadmium, or qualify for an exemption to these limits as defined in the Annexes of Directive 2000/53/EC (ELV). Regarding the REACH Regulation, the information TE provides on SVHC in articles for this part number is based on the latest European Chemicals Agency (ECHA) 'Guidance on requirements for substances in articles' posted at this URL: <https://echa.europa.eu/guidance-documents/guidance-on-reach>

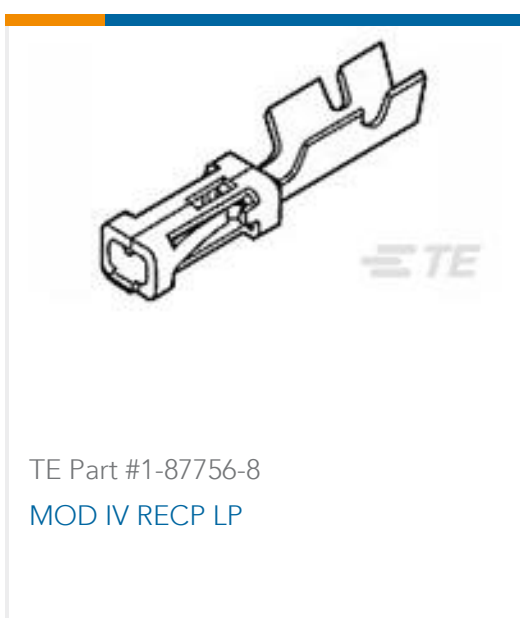
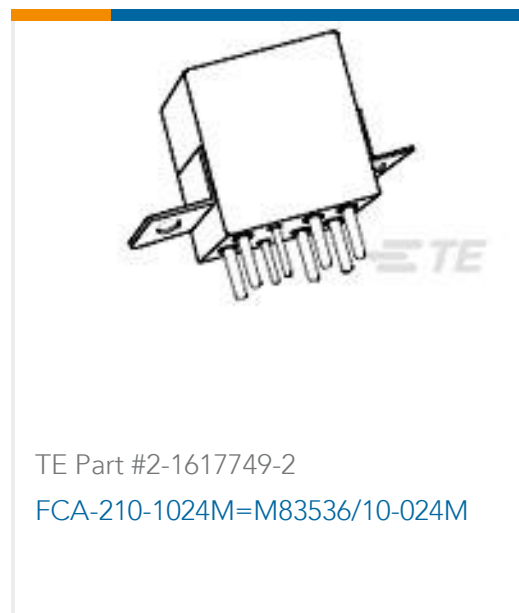
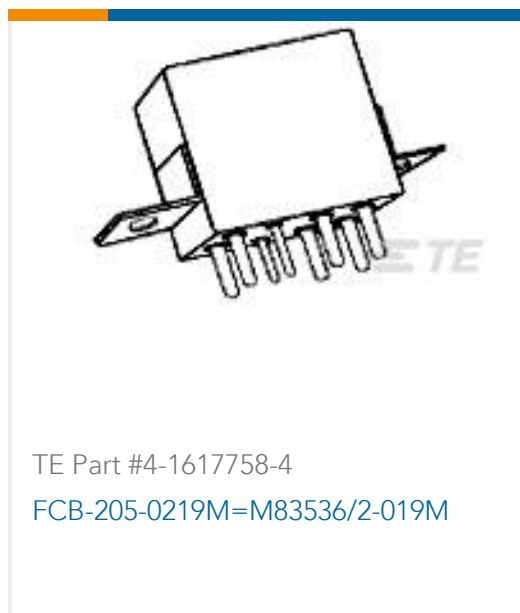
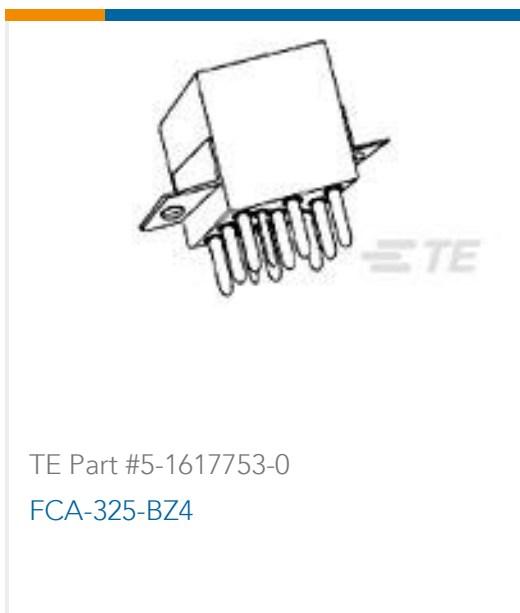
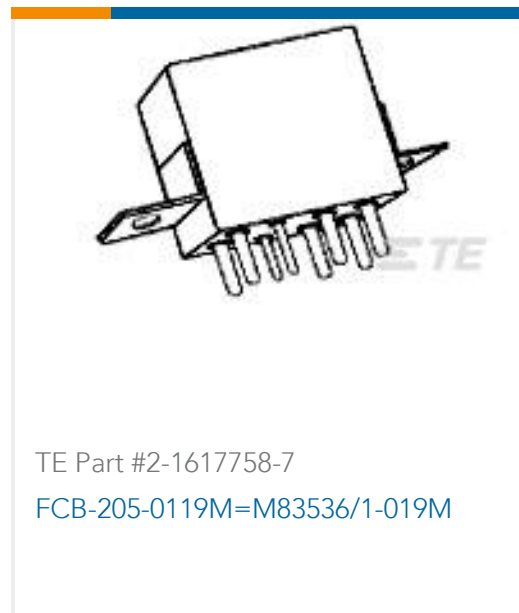
## Compatible Parts



Also in the Series | [AMPMODU 50/50 Grid](#)



## Customers Also Bought



## Documents

### Product Drawings

30 50/50 GRID CABLE RCPT COVER

English

### CAD Files

3D PDF

English

### Customer View Model

ENG\_CVM\_104891-3\_C.3d\_igs.zip



English

**Customer View Model**

[ENG\\_CVM\\_104891-3\\_C.3d\\_stp.zip](#)

English

**Customer View Model**

[ENG\\_CVM\\_104891-3\\_C.2d\\_dxf.zip](#)

English

By downloading the CAD file I accept and agree to the [Terms and Conditions](#) of use.

---

### Datasheets & Catalog Pages

[AMPMODU\\_INTERCONNECTION\\_SYSTEM\\_SECTION1AND2](#)

English

[Ribbon Cable Interconnect Solutions](#)

English

[Fine Pitch Stacking Connectors - 1.27mm AMPMODU 50/50 Grid Connectors](#)

English

---

### Product Specifications

[Application Specification](#)

English

---

### Product Environmental Compliance

[Product Compliance Document](#)

English

[Product Compliance Document](#)

English