



Connectors > PCB Connectors > Wire-to-Board Connectors > Wire-to-Board Connector Contacts



Contact Type: **Pin**

Connector System: **Wire-to-Board**

Wire Size: **.12 – .4 mm<sup>2</sup>**

### Features

#### Product Type Features

|                                   |               |
|-----------------------------------|---------------|
| Applied Pressure                  | Standard      |
| Connector System                  | Wire-to-Board |
| Connector & Contact Terminates To | Wire & Cable  |

#### Electrical Characteristics

|                                       |         |
|---------------------------------------|---------|
| Termination Resistance                | 12 mΩ   |
| Insulation Resistance                 | 5000 MΩ |
| Dielectric Withstanding Voltage (Max) | 750 V   |
| Operating Voltage                     | 300 VAC |

#### Contact Features

|   |                               |
|---|-------------------------------|
| Mating Square Post Dimension                          | .64 mm[.025 in]               |
| Wire Contact Termination Area Plating Thickness       | 2.54 – 5.08 μm[100 – 200 μin] |
| Wire Contact Termination Area Plating Material Finish | Bright                        |
| Wire Contact Termination Area Plating Material        | Tin                           |
|   | 100 – 200 μin                 |
| Contact Mating Area Plating Material Finish           | Bright                        |



|                                      |                 |
|--------------------------------------|-----------------|
| Contact Underplating Material        | Nickel          |
| Contact Base Material                | Phosphor Bronze |
| Contact Type                         | Pin             |
| Contact Mating Area Plating Material | Tin             |
| Contact Current Rating (Max)         | 3 A             |

### Termination Features

|                                    |       |
|------------------------------------|-------|
| Termination Method to Wire & Cable | Crimp |
|------------------------------------|-------|

### Mechanical Attachment

|                         |      |
|-------------------------|------|
| Wire Insulation Support | With |
|-------------------------|------|

### Dimensions

|                                      |                                |
|--------------------------------------|--------------------------------|
| Compatible Insulation Diameter Range | .91 – 1.37 mm [.035 – .054 in] |
| Wire Size                            | .12 – .4 mm <sup>2</sup>       |

### Usage Conditions

|                             |                             |
|-----------------------------|-----------------------------|
| Operating Temperature Range | -65 – 105 °C [-85 – 221 °F] |
|-----------------------------|-----------------------------|

### Operation/Application

|                     |        |
|---------------------|--------|
| Circuit Application | Signal |
|---------------------|--------|

### Industry Standards

|                    |                       |
|--------------------|-----------------------|
| Approved Standards | CSA LR7189, UL E28476 |
|--------------------|-----------------------|

### Packaging Features

|                    |       |
|--------------------|-------|
| Packaging Quantity | 12500 |
| Packaging Method   | Strip |

### Product Compliance

[For compliance documentation, visit the product page on TE.com>](#)

|   |   |
|---|---|
| EU RoHS Directive 2011/65/EU                  | Compliant   |
| EU ELV Directive 2000/53/EC                   | Compliant   |
| China RoHS 2 Directive MIIT Order No 32, 2016 | No Restricted Materials Above Threshold   |
| EU REACH Regulation (EC) No. 1907/2006        | Current ECHA Candidate List: JAN 2023 (233)<br>Candidate List Declared Against: JAN 2023 (233)<br>Does not contain REACH SVHC |
| Halogen Content                               | Low Halogen - Br, Cl, F, I < 900 ppm per homogenous material. Also BFR/CFR/PVC  |



Free

Solder Process Capability

Not applicable for solder process capability

Product Compliance Disclaimer

This information is provided based on reasonable inquiry of our suppliers and represents our current actual knowledge based on the information they provided. This information is subject to change. The part numbers that TE has identified as EU RoHS compliant have a maximum concentration of 0.1% by weight in homogenous materials for lead, hexavalent chromium, mercury, PBB, PBDE, DBP, BBP, DEHP, DIBP, and 0.01% for cadmium, or qualify for an exemption to these limits as defined in the Annexes of Directive 2011/65/EU (RoHS2). Finished electrical and electronic equipment products will be CE marked as required by Directive 2011/65/EU. Components may not be CE marked. Additionally, the part numbers that TE has identified as EU ELV compliant have a maximum concentration of 0.1% by weight in homogenous materials for lead, hexavalent chromium, and mercury, and 0.01% for cadmium, or qualify for an exemption to these limits as defined in the Annexes of Directive 2000/53/EC (ELV). Regarding the REACH Regulation, the information TE provides on SVHC in articles for this part number is based on the latest European Chemicals Agency (ECHA) 'Guidance on requirements for substances in articles' posted at this URL: <https://echa.europa.eu/guidance-documents/guidance-on-reach>

### Compatible Parts



TE Part # 91531-1  
CCII MTE AMPMODU MTE PIN REC  
26-22 ASSY



TE Part # 843477-1  
TOOL, EXTRACTION RESET



TE Part # 2-2151236-1  
OCEAN\_2.0\_Applicator-S-042F0550



TE Part # 2-2151236-2  
OCEAN\_2.0\_Applicator-S-042F0550



TE Part # 2151236-1  
OCEAN\_2.0\_Applicator-S-042F0550



TE Part # 2151236-2  
OCEAN\_2.0\_Applicator-S-042F0550



TE Part # 2305570-1  
Strip Terminal Cutter-Side Feed-No  
Crimp



TE Part # 7-2151236-1  
OCEAN\_2.0\_Applicator-S-042F0550



TE Part # 7-2151236-2  
OCEAN\_2.0\_Applicator-S-042F0550



**KIT**  
REPRESENTATION ONLY

TE Part # 7-2151236-7  
OCEAN\_2.0\_SPARE\_PART\_KIT-  
042F0550

Also in the Series | **AMPMODU MTE**



Insertion & Extraction Tools(2)



PCB Connector Shrouds(40)



PCB Headers & Receptacles(763)



Ribbon Connector Accessories(1)



Standard Rectangular Connectors(2)



Wire-to-Board Connector Assemblies & Housings(585)

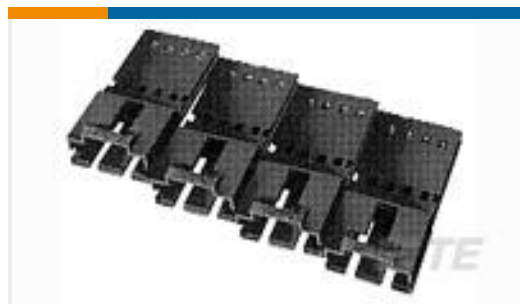


Wire-to-Board Connector Contacts(32)

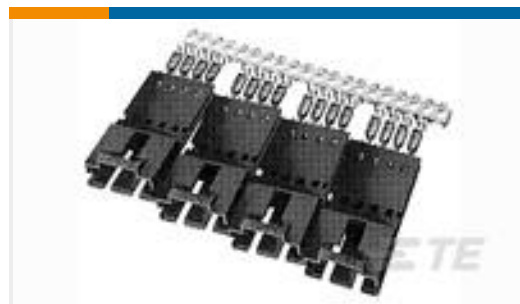
## Customers Also Bought



TE Part #103653-7  
08 MTE SHRD PIN HSG SR LATCH



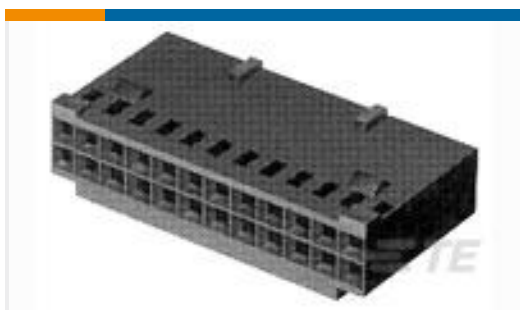
TE Part #103653-5  
06 MTE SHRD PIN HSG SR LATCH



TE Part #5-103945-2  
5X3 MTE SHRD PIN SR LATCH .100



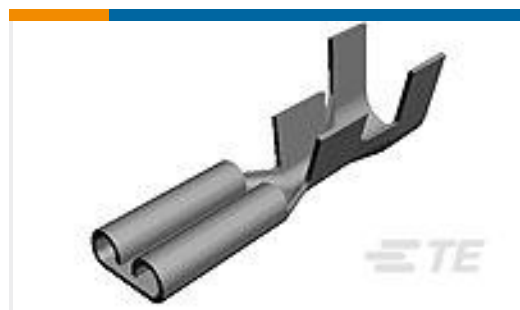
TE Part #34146  
PG R 22-16 COMM 22-18 MIL 10



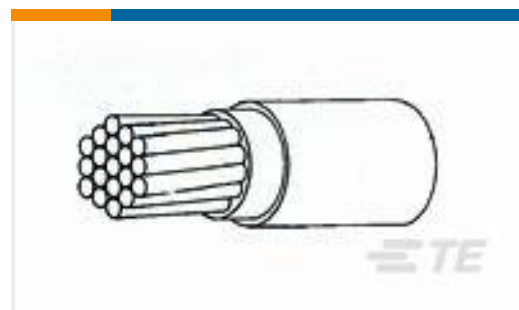
TE Part #87631-5  
10 MODIV HSG COMP DR .100 POL



TE Part #104257-3  
04 MTE RCPT HSG SR LATCH .100



TE Part #5-160430-7  
187 FASTON REC 20-16 AWG TPBR



TE Part #2820293019  
44A0111-20-9



TE Part #8-55851-2  
16-14 PRE-INSUL SEALED TERM R



TE Part #1651813-1  
705-0073-01100=SA ADAPTER,SKT

## Documents



## Product Drawings

### MTE PIN 22-26 AWG PLTD

English

---

## CAD Files

### Customer View Model

[ENG\\_CVM\\_CVM\\_104505-8\\_V.2d\\_dxf.zip](#)

English

### 3D PDF

3D

### Customer View Model

[ENG\\_CVM\\_CVM\\_104505-8\\_V.3d\\_igs.zip](#)

English

### Customer View Model

[ENG\\_CVM\\_CVM\\_104505-8\\_V.3d\\_stp.zip](#)

English

By downloading the CAD file I accept and agree to the [Terms and Conditions](#) of use.

---

## Datasheets & Catalog Pages

### AMPMODU MTE INTERCONNECT SYSTEM

English

---

## Product Specifications

### Application Specification

English