

103642-E ✓ ACTIVE

TE Internal #: 103642-E

Connector Assembly, Plug, Wire-to-Board, 10 Position, Screw, 2 Row, Dark Gray, Mating Retention, Printed Circuit Board, Power & Signal, Board Mount

[View on TE.com >](#)



Connectors > PCB Connectors > Wire-to-Board Connectors > Wire-to-Board Connector Assemblies & Housings



Connector Product Type: **Connector Assembly**

Connector & Housing Type: **Plug**

Connector System: **Wire-to-Board**

Number of Positions: **10**

Termination Method to Wire & Cable: **Screw**

Features

Product Type Features

Connector Product Type	Connector Assembly
Connector & Housing Type	Plug
Connector System	Wire-to-Board
Sealable	No
Connector & Contact Terminates To	Printed Circuit Board

Configuration Features

Number of Positions	10
Number of Rows	2

Body Features

Primary Product Color	Dark Gray
-----------------------	-----------

Contact Features

Contact Type	Pin
--------------	-----

Termination Features

Termination Method to Wire & Cable	Screw
------------------------------------	-------



Mechanical Attachment

Mating Retention	With
Connector Mounting Type	Board Mount

Housing Features

Housing Material	Thermoplastic
------------------	---------------

Usage Conditions

Operating Temperature Range	-20 – 70 °C[-4 – 158 °F]
-----------------------------	--------------------------

Operation/Application

Circuit Application	Power & Signal
---------------------	----------------

Industry Standards

Agency/Standard	UL
UL Flammability Rating	UL 94V-1

Product Compliance

[For compliance documentation, visit the product page on TE.com>](#)

EU RoHS Directive 2011/65/EU	Compliant with Exemptions
EU ELV Directive 2000/53/EC	Compliant with Exemptions
China RoHS 2 Directive MIIT Order No 32, 2016	Restricted Materials Above Threshold
EU REACH Regulation (EC) No. 1907/2006	Current ECHA Candidate List: JUNE 2023 (235) Candidate List Declared Against: JAN 2023 (233) SVHC > Threshold: Pb (.35% in component) Article Safe Usage Statements: Do not eat, drink or smoke when using this product. Wash thoroughly after handling. Recycle if possible and dispose of the article by following all applicable governmental regulations relevant to your geographic location.
Halogen Content	Not Yet Reviewed for halogen content
Solder Process Capability	Not reviewed for solder process capability

Product Compliance Disclaimer

This information is provided based on reasonable inquiry of our suppliers and represents our current actual knowledge based on the information they provided. This information is subject to change. The part numbers that TE has identified as EU RoHS compliant have a maximum concentration of 0.1% by weight in homogenous materials for lead, hexavalent chromium, mercury, PBB, PBDE, DBP, BBP, DEHP, DIBP, and 0.01% for cadmium, or qualify for an exemption to these limits as defined in the Annexes of Directive 2011/65/EU (RoHS2). Finished electrical and electronic equipment products will be CE marked as required by Directive 2011/65/EU. Components may not be CE marked. Additionally, the part numbers that TE has identified as EU ELV compliant have a maximum concentration of 0.1% by weight in homogenous materials for lead, hexavalent chromium, and mercury, and 0.01% for cadmium, or qualify for an exemption to these limits as defined in the Annexes of Directive 2000/53/EC (ELV). Regarding the REACH Regulations, TE's information on SVHC in articles for this part number is still based on the European Chemical Agency (ECHA) 'Guidance on requirements for

substances in articles' (Version: 2, April 2011), applying the 0.1% weight on weight concentration threshold at the finished product level. TE is aware of the European Court of Justice ruling of September 10th, 2015 also known as O5A (Once An Article Always An Article) stating that, in case of 'complex object', the threshold for a SVHC must be applied to both the product as a whole and simultaneously to each of the articles forming part of its composition. TE has evaluated this ruling based on the new ECHA "Guidance on requirements for substances in articles" (June 2017, version 4.0) and will be updating its statements accordingly.

Compatible Parts



TE Part # 103643-E
ERBIC BUS E BUS-SYSTEM SYS CAN
HO AB CU



TE Part # 103668-E
ERBIC BUS C BUS-SYSTEM SYS CAN
HO KN CU

Customers Also Bought



TE Part #66566-7
Pin and Socket Contacts, Type III, LP



TE Part #20009605-05
FX292X-100A-0025-L



TE Part #1757819-2
AMPLIMITE,ASY,PLUG,STD,109,ZN,2



TE Part #1757820-1
AMPLIMITE,ASY,RCPT,STD,109,ZN,1



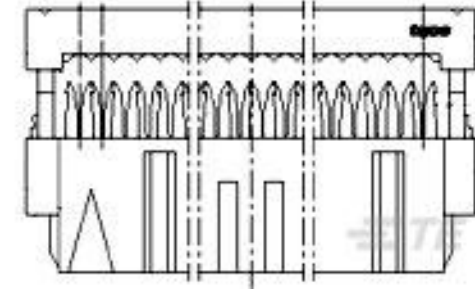
TE Part #341001-6
PL 250 REC TERMINAL 13-11 PTPB LP



TE Part #205089-1
HD 20 PIN CONTACT



TE Part #1473562-3
RITS CONN. PLUG ASSY 3P YELLOW



TE Part #2-215911-0
20 WAY GREY MK II RECP



TE Part #205166-1
AMPLIMITE,ASY,PLUG,STD,109,3

Documents

[CAD Files](#)



Customer View Model

[ENG_CVM_CVM_103642-E_1.3d_stp.zip](#)

English

3D PDF

3D

Customer View Model

[ENG_CVM_CVM_103642-E_1.2d_dxf.zip](#)

English

Customer View Model

[ENG_CVM_CVM_103642-E_1.3d_igs.zip](#)

English

By downloading the CAD file I accept and agree to the [Terms and Conditions](#) of use.

Datasheets & Catalog Pages

[ERNI Erbic Bus Interface Connector](#)

English

[ERNI Erbic Bus Interface Connector](#)

German