



AMPMODU

TE Internal #: 102694-4

Standard Rectangular Connectors, Connector Assembly, Housing for Female Terminals, Insulation Displacement (IDC), Wire-to-Board, Gold, High, UL 94V-0

[View on TE.com >](#)

Connectors > Rectangular Connectors > Standard Rectangular Connectors



Connector Product Type: **Connector Assembly**  
 Connector & Housing Type: **Housing for Female Terminals**  
 Mating Alignment: **Without**  
 Mating Retention: **Without**  
 Termination Method to Wire & Cable: **Insulation Displacement (IDC)**

**Features**

**Product Type Features**

|                                   |                              |
|-----------------------------------|------------------------------|
| Connector Product Type            | Connector Assembly           |
| Connector & Housing Type          | Housing for Female Terminals |
| Connector System                  | Wire-to-Board                |
| Insertion Force Type              | High                         |
| Sealable                          | No                           |
| Connector & Contact Terminates To | Wire & Cable                 |

**Configuration Features**

|                            |     |
|----------------------------|-----|
| Contacts Preloaded         | Yes |
| Number of Loaded Positions | 12  |
| Number of Positions        | 12  |
| Number of Rows             | 2   |

**Contact Features**

|  |          |
|--|----------|
| Contact Layout                                 | Matrix   |
| Wire Contact Termination Area Plating Material | Tin-Lead |
| Contact Underplating Material                  | Nickel   |
| Contact Mating Area Plating Material           | Gold     |
| Contact Retention Within Housing               | With     |
| Contact Current Rating (Max)                   | 3 A      |



### Termination Features

|                                    |                               |
|------------------------------------|-------------------------------|
| Termination Method to Wire & Cable | Insulation Displacement (IDC) |
|------------------------------------|-------------------------------|

### Mechanical Attachment

|                                       |                            |
|---------------------------------------|----------------------------|
| Contact Retention Type Within Housing | Locking Lance              |
| Mating Alignment                      | Without                    |
| Mating Retention                      | Without                    |
| Connector Mounting Type               | Cable Mount (Free-Hanging) |

### Housing Features

|                    |                |
|--------------------|----------------|
| Centerline (Pitch) | 2.54 mm[.1 in] |
|--------------------|----------------|

### Dimensions

|                    |                          |
|--------------------|--------------------------|
| Connector Height   | 6.1 mm[.24 in]           |
| Product Length     | 15.24 mm[.6 in]          |
| Row-to-Row Spacing | 2.54 mm[.1 in]           |
| Wire Size          | .13 – .3 mm <sup>2</sup> |

### Usage Conditions

|                             |                            |
|-----------------------------|----------------------------|
| Operating Temperature Range | -65 – 105 °C[-85 – 221 °F] |
|-----------------------------|----------------------------|

### Operation/Application

|                     |        |
|---------------------|--------|
| Shielded            | No     |
| Circuit Application | Signal |

### Industry Standards

|                        |          |
|------------------------|----------|
| UL Flammability Rating | UL 94V-0 |
|------------------------|----------|

### Packaging Features

|                    |      |
|--------------------|------|
| Packaging Quantity | 200  |
| Packaging Method   | Tray |

### Product Compliance

[For compliance documentation, visit the product page on TE.com>](#)

|   |   |
|---|---|
| EU RoHS Directive 2011/65/EU                  | Not Compliant                                   |
| EU ELV Directive 2000/53/EC                   | Compliant with Exemptions                       |
| China RoHS 2 Directive MIIT Order No 32, 2016 | Restricted Materials Above Threshold            |
| EU REACH Regulation (EC) No. 1907/2006        | Current ECHA Candidate List: JUNE 2023<br>(235) |



Candidate List Declared Against: JAN 2022 (223)

SVHC > Threshold:

Pb (13% in COMPONENT PART)

**Article Safe Usage Statements:**

Do not eat, drink or smoke when using this product. Wash thoroughly after handling. Recycle if possible and dispose of the article by following all applicable governmental regulations relevant to your geographic location.

Halogen Content Not Low Halogen - contains Br or Cl > 900 ppm.

Solder Process Capability Not applicable for solder process capability

**Product Compliance Disclaimer**

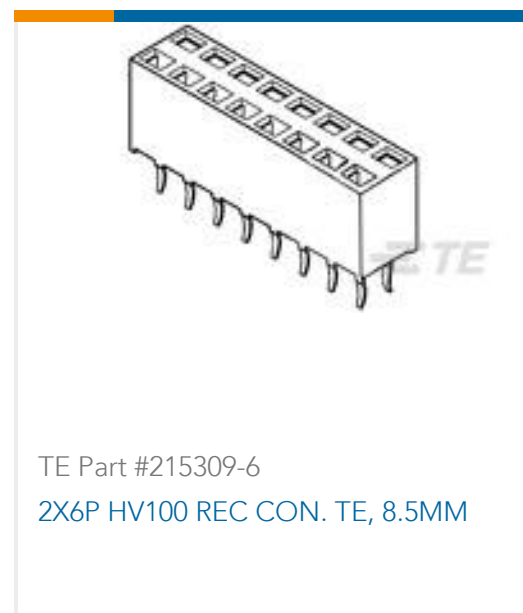
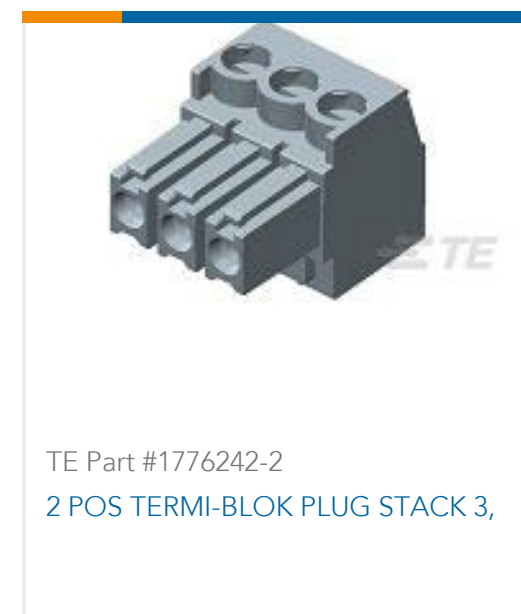
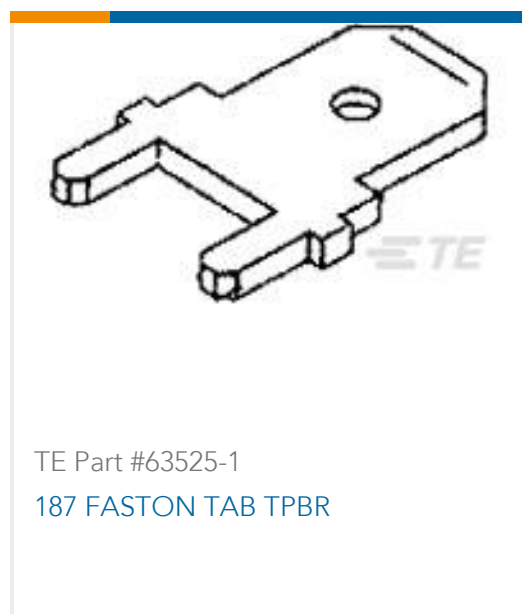
This information is provided based on reasonable inquiry of our suppliers and represents our current actual knowledge based on the information they provided. This information is subject to change. The part numbers that TE has identified as EU RoHS compliant have a maximum concentration of 0.1% by weight in homogenous materials for lead, hexavalent chromium, mercury, PBB, PBDE, DBP, BBP, DEHP, DIBP, and 0.01% for cadmium, or qualify for an exemption to these limits as defined in the Annexes of Directive 2011/65/EU (RoHS2). Finished electrical and electronic equipment products will be CE marked as required by Directive 2011/65/EU. Components may not be CE marked. Additionally, the part numbers that TE has identified as EU ELV compliant have a maximum concentration of 0.1% by weight in homogenous materials for lead, hexavalent chromium, and mercury, and 0.01% for cadmium, or qualify for an exemption to these limits as defined in the Annexes of Directive 2000/53/EC (ELV). Regarding the REACH Regulation, the information TE provides on SVHC in articles for this part number is based on the latest European Chemicals Agency (ECHA) 'Guidance on requirements for substances in articles' posted at this URL: <https://echa.europa.eu/guidance-documents/guidance-on-reach>

**Compatible Parts**



**Customers Also Bought**





## Documents

### Product Drawings

[12 AMPMODU MT ASSY DR .100CL](#)

English

### CAD Files

[3D PDF](#)

English

Customer View Model

[ENG\\_CVM\\_102694-4\\_P.2d\\_dxf.zip](#)

English

Customer View Model

[ENG\\_CVM\\_102694-4\\_P.3d\\_igs.zip](#)

English

Customer View Model

[ENG\\_CVM\\_102694-4\\_P.3d\\_stp.zip](#)

English

By downloading the CAD file I accept and agree to the [Terms and Conditions](#) of use.

### Product Specifications

[Application Specification](#)

English