

102540-3 ✓ ACTIVE

AMPMODU

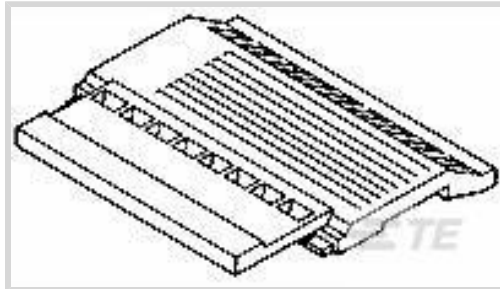
TE Internal #: 102540-3

PCB Connector Covers, 10 Position, .1 in [2.54 mm] Centerline, Thermoplastic, Low Product Profile, Polarizing, -65 – 105 °C [-85 – 221 °F]

[View on TE.com >](#)



Connectors > PCB Connectors > PCB Connector Accessories > PCB Protection & Strain Relief > PCB Connector Covers



Number of Positions: 10

Centerline (Pitch): 2.54 mm [.1 in]

Primary Product Material: Thermoplastic

Product Profile: Low

Connector Cover Type: Polarizing

Features

Product Type Features

Product Profile	Low
Connector Cover Type	Polarizing

Configuration Features

Number of Positions	10
---------------------	----

Body Features

Connector Cover Side	Front
Primary Product Color	Black
Primary Product Material	Thermoplastic

Housing Features

Centerline (Pitch)	2.54 mm[.1 in]
--------------------	----------------

Usage Conditions

Operating Temperature Range	-65 – 105 °C[-85 – 221 °F]
-----------------------------	----------------------------

Industry Standards

UL Flammability Rating	UL 94V-0
------------------------	----------

Product Compliance

[For compliance documentation, visit the product page on TE.com>](#)



EU RoHS Directive 2011/65/EU	Compliant
EU ELV Directive 2000/53/EC	Compliant
China RoHS 2 Directive MIIT Order No 32, 2016	No Restricted Materials Above Threshold
EU REACH Regulation (EC) No. 1907/2006	Current ECHA Candidate List: JUNE 2023 (235) Candidate List Declared Against: JUNE 2023 (235) Does not contain REACH SVHC
Halogen Content	Not Low Halogen - contains Br or Cl > 900 ppm.
Solder Process Capability	Not applicable for solder process capability

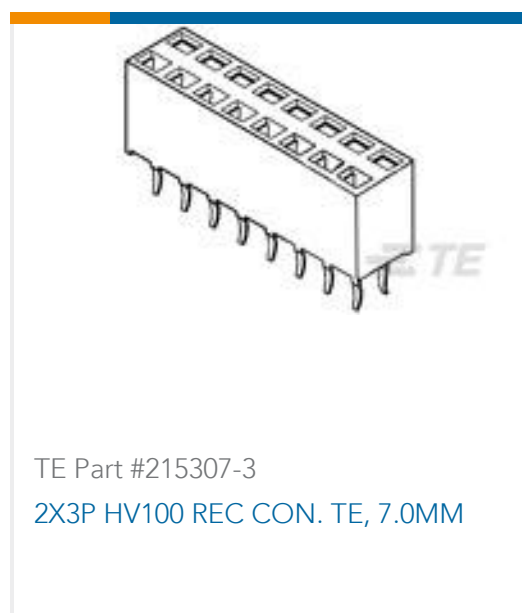
Product Compliance Disclaimer

This information is provided based on reasonable inquiry of our suppliers and represents our current actual knowledge based on the information they provided. This information is subject to change. The part numbers that TE has identified as EU RoHS compliant have a maximum concentration of 0.1% by weight in homogenous materials for lead, hexavalent chromium, mercury, PBB, PBDE, DBP, BBP, DEHP, DIBP, and 0.01% for cadmium, or qualify for an exemption to these limits as defined in the Annexes of Directive 2011/65/EU (RoHS2). Finished electrical and electronic equipment products will be CE marked as required by Directive 2011/65/EU. Components may not be CE marked. Additionally, the part numbers that TE has identified as EU ELV compliant have a maximum concentration of 0.1% by weight in homogenous materials for lead, hexavalent chromium, and mercury, and 0.01% for cadmium, or qualify for an exemption to these limits as defined in the Annexes of Directive 2000/53/EC (ELV). Regarding the REACH Regulation, the information TE provides on SVHC in articles for this part number is based on the latest European Chemicals Agency (ECHA) 'Guidance on requirements for substances in articles' posted at this URL: <https://echa.europa.eu/guidance-documents/guidance-on-reach>

Compatible Parts



Customers Also Bought

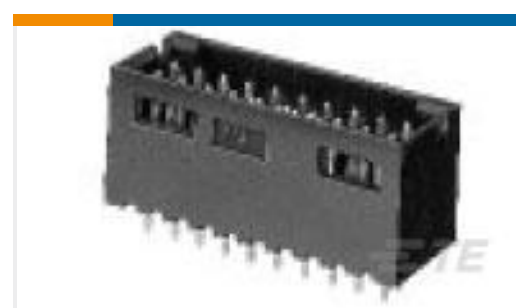




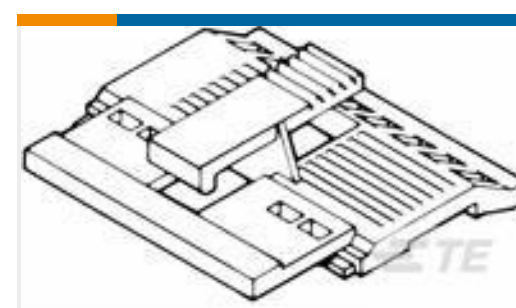
TE Part #31897
PIDG R 22-16COMM 22-18MIL 3/8



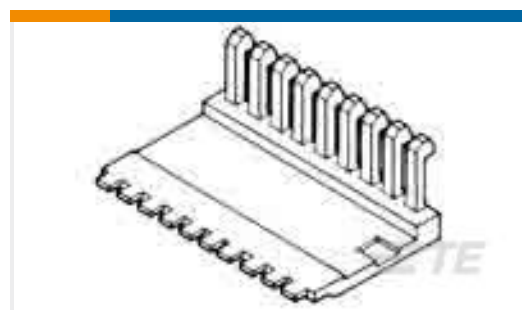
TE Part #86-030G-C
NISO,LP,GAGE,CABLE/CONNECTOR



TE Part #103168-8
20 MODII HDR DRST SHRD .100CL



TE Part #102681-5
20 AMPMODU MT COVER DR .100CL



TE Part #102536-1
06 AMPMODU MT COVER DR .100CL



TE Part #5-102694-2
08 ampmodu mt assy dr sn

Documents

Product Drawings

[10 AMPMODU MT COVER DR .100CL](#)

English

CAD Files

[3D PDF](#)

3D

Customer View Model

[ENG_CVM_CVM_102540-3_M.2d_dxf.zip](#)

English

Customer View Model

[ENG_CVM_CVM_102540-3_M.3d_igs.zip](#)

English

Customer View Model

[ENG_CVM_CVM_102540-3_M.3d_stp.zip](#)

English

By downloading the CAD file I accept and agree to the [Terms and Conditions](#) of use.

Datasheets & Catalog Pages

[AMPMODU_INTERCONNECTION_SYSTEM_SECTION5_CONT](#)

English

Product Specifications

[Application Specification](#)

English

Product Environmental Compliance

[Product Compliance](#)

102540-3

PCB Connector Covers, 10 Position, .1 in [2.54 mm] Centerline, Thermoplastic, Low Product Profile, Polarizing, -65 – 105 °C [-85 – 221 °F]



English

[Product Compliance](#)

English