



AMPMODU

TE Internal #: 102540-2

PCB Connector Covers, 8 Position, .1 in [2.54 mm] Centerline, Thermoplastic, Low Product Profile, Polarizing, -65 – 105 °C [-85 – 221 °F]

[View on TE.com >](#)

Connectors > PCB Connectors > PCB Connector Accessories > PCB Protection & Strain Relief > PCB Connector Covers



Number of Positions: **8**

Centerline (Pitch): **2.54 mm [.1 in]**

Primary Product Material: **Thermoplastic**

Product Profile: **Low**

Connector Cover Type: **Polarizing**

Features

Product Type Features

Product Profile	Low
Connector Cover Type	Polarizing

Configuration Features

Number of Positions	8
---------------------	---

Body Features

Connector Cover Side	Front
Primary Product Color	Black
Primary Product Material	Thermoplastic

Housing Features

Centerline (Pitch)	2.54 mm[.1 in]
--------------------	----------------

Usage Conditions

Operating Temperature Range	-65 – 105 °C[-85 – 221 °F]
-----------------------------	----------------------------

Industry Standards

--	--

UL Flammability Rating

UL 94V-0

Product Compliance

For compliance documentation, visit the product page on [TE.com](#)>

EU RoHS Directive 2011/65/EU

Compliant

EU ELV Directive 2000/53/EC

Compliant

China RoHS 2 Directive MIIT Order No 32, 2016

No Restricted Materials Above Threshold

EU REACH Regulation (EC) No. 1907/2006

Current ECHA Candidate List: JUNE 2023 (235)

Candidate List Declared Against: JUNE 2023 (235)

Does not contain REACH SVHC

Halogen Content

Not Low Halogen - contains Br or Cl > 900 ppm.

Solder Process Capability

Not applicable for solder process capability

Product Compliance Disclaimer

This information is provided based on reasonable inquiry of our suppliers and represents our current actual knowledge based on the information they provided. This information is subject to change. The part numbers that TE has identified as EU RoHS compliant have a maximum concentration of 0.1% by weight in homogenous materials for lead, hexavalent chromium, mercury, PBB, PBDE, DBP, BBP, DEHP, DIBP, and 0.01% for cadmium, or qualify for an exemption to these limits as defined in the Annexes of Directive 2011/65/EU (RoHS2). Finished electrical and electronic equipment products will be CE marked as required by Directive 2011/65/EU. Components may not be CE marked. Additionally, the part numbers that TE has identified as EU ELV compliant have a maximum concentration of 0.1% by weight in homogenous materials for lead, hexavalent chromium, and mercury, and 0.01% for cadmium, or qualify for an exemption to these limits as defined in the Annexes of Directive 2000/53/EC (ELV). Regarding the REACH Regulation, the information TE provides on SVHC in articles for this part number is based on the latest European Chemicals Agency (ECHA) 'Guidance on requirements for substances in articles' posted at this URL: <https://echa.europa.eu/guidance-documents/guidance-on-reach>

Compatible Parts



Customers Also Bought



TE Part #3-6609129-0
5EFM4SC=F8114



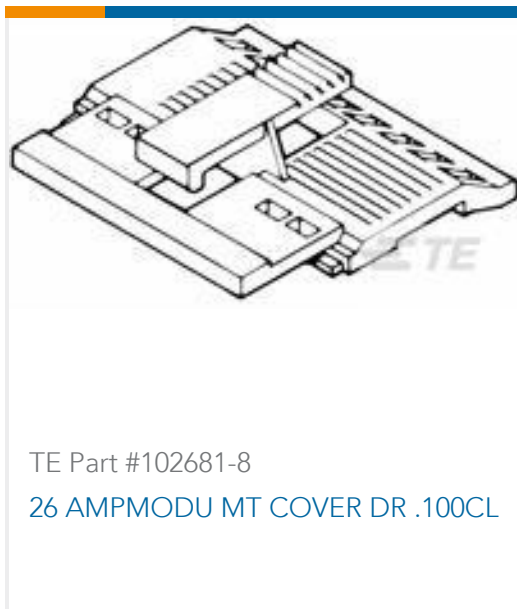
TE Part #5-103168-2
08 MODII HDR DRST SHRD .100CL



TE Part #102536-3
10 AMPMODU MT COVER DR .100CL



TE Part #102536-6
16 AMPMODU MT COVER DR .100CL



TE Part #102681-8
26 AMPMODU MT COVER DR .100CL



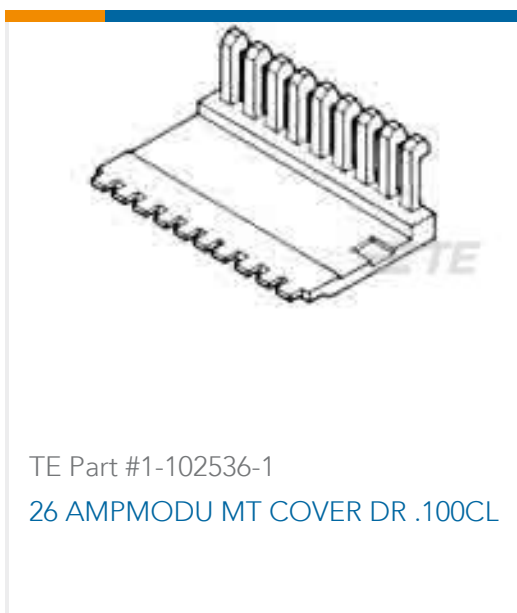
TE Part #5-102398-1
06 AMPMODU MT ASSY DR.100CL SN



TE Part #5-102398-2
08 AMPMODU MT ASSY DR.100CL SN



TE Part #1-102398-1
26 AMPMODU MT ASSY DR .100CL



TE Part #1-102536-1
26 AMPMODU MT COVER DR .100CL



TE Part #6-102398-1
26 AMPMODU MT ASSY DR .100CL

Documents

Product Drawings

[08 AMPMODU MT COVER DR .100CL](#)

English

CAD Files

[3D PDF](#)

[3D](#)

[Customer View Model](#)

[ENG_CVM_CVM_102540-2_M.2d_dxf.zip](#)

English

[Customer View Model](#)

[ENG_CVM_CVM_102540-2_M.3d_igs.zip](#)

English

[Customer View Model](#)

[ENG_CVM_CVM_102540-2_M.3d_stp.zip](#)

English

By downloading the CAD file I accept and agree to the [Terms and Conditions](#) of use.

Datasheets & Catalog Pages



AMPMODU_INTERCONNECTION_SYSTEM_SECTION5_CONT

English

Product Specifications

Application Specification

English

Product Environmental Compliance

Product Compliance

English

Product Compliance

English