



Sensors > Pressure Sensors > Pressure Transducers



Pressure Transducer Sensor Type: **Low Cost Pressure Transducer**

Pressure Range: **0 – 7 bar**

Pressure Type: **Gauge**

Pressure Transducer Supply Voltage: **9 – 30 V**

Output/Span: **4 – 20 mA**

Features

Product Type Features

Pressure Transducer Sensor Type	Low Cost Pressure Transducer
Pressure Type	Gauge

Configuration Features

Electrical Connection	Form C with Mating Connector
Pressure Port/Fitting	1/4-19 BSPT

Electrical Characteristics

Pressure Transducer Supply Voltage	9 – 30 V
------------------------------------	----------

Dimensions

Dimensions	22.25 x 22.25 x 45.72 mm [.875 x .875 x 1.8 in]
------------	---

Usage Conditions

Pressure	7 bar [101.52 psi]
Operating Temperature Range	-40 – 125 °C [-40 – 257 °F]

Operation/Application

Proof Pressure Range	2X Rated
Pressure Range	0 – 7 bar
Output/Span	4 – 20 mA
Pressure Accuracy	±0.25% FSO

Other



Sensor Options	Adhesive Label, No Snubber
----------------	----------------------------

Product Compliance

[For compliance documentation, visit the product page on TE.com>](#)

EU RoHS Directive 2011/65/EU	Compliant with Exemptions
EU ELV Directive 2000/53/EC	Out of Scope
China RoHS 2 Directive MIIT Order No 32, 2016	Restricted Materials Above Threshold
EU REACH Regulation (EC) No. 1907/2006	<p>Current ECHA Candidate List: JUNE 2023 (235) Candidate List Declared Against: JAN 2021 (211) SVHC > Threshold: Dodecamethylcyclohexasiloxane (D6) (.85% in 736 red glue)</p> <p>Article Safe Usage Statements: Wash thoroughly after handling. Recycle if possible and dispose of the article by following all applicable governmental regulations relevant to your geographic location.</p>

Halogen Content	Not Yet Reviewed for halogen content
Solder Process Capability	Not reviewed for solder process capability

Product Compliance Disclaimer

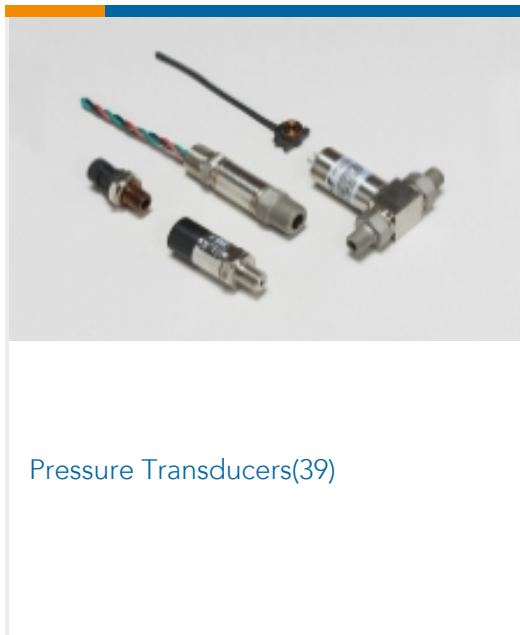
This information is provided based on reasonable inquiry of our suppliers and represents our current actual knowledge based on the information they provided. This information is subject to change. The part numbers that TE has identified as EU RoHS compliant have a maximum concentration of 0.1% by weight in homogenous materials for lead, hexavalent chromium, mercury, PBB, PBDE, DBP, BBP, DEHP, DIBP, and 0.01% for cadmium, or qualify for an exemption to these limits as defined in the Annexes of Directive 2011/65/EU (RoHS2). Finished electrical and electronic equipment products will be CE marked as required by Directive 2011/65/EU. Components may not be CE marked. Additionally, the part numbers that TE has identified as EU ELV compliant have a maximum concentration of 0.1% by weight in homogenous materials for lead, hexavalent chromium, and mercury, and 0.01% for cadmium, or qualify for an exemption to these limits as defined in the Annexes of Directive 2000/53/EC (ELV). Regarding the REACH Regulation, the information TE provides on SVHC in articles for this part number is based on the latest European Chemicals Agency (ECHA) 'Guidance on requirements for substances in articles' posted at this URL: <https://echa.europa.eu/guidance-documents/guidance-on-reach>

Compatible Parts

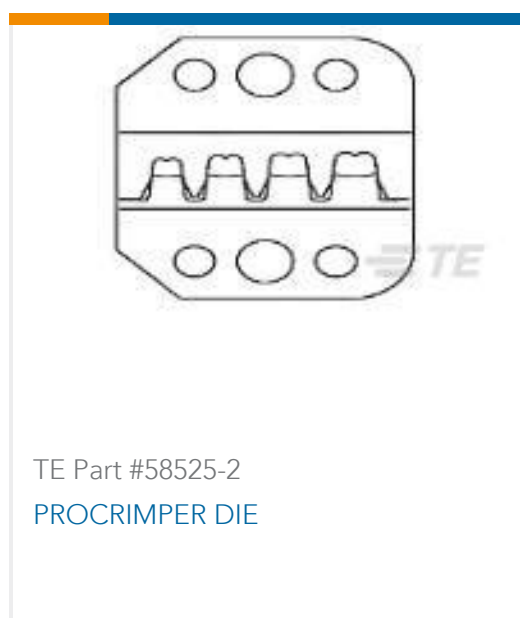
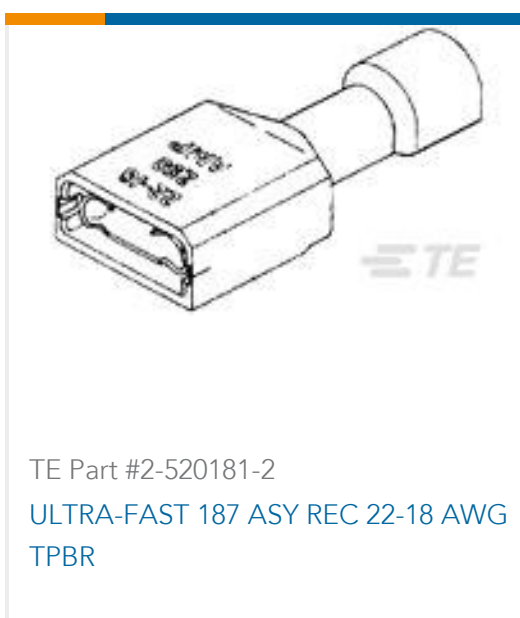
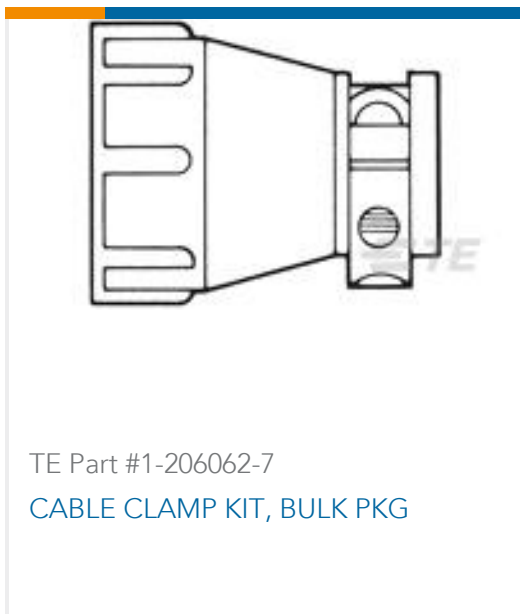
 <p>TE Part # 20010085-77 PRESS XDCR M3256-000005-009BC</p>	 <p>TE Part # 20007980-00 PRESS XDCR M3256-000005-400BG</p>	 <p>TE Part # 20010085-87 PRESS XDCR M3256-00000B-004BG</p>	 <p>TE Part # 20010083-00 PRESS XDCR M3256-00000B-010BG</p>
---	---	---	---



Also in the Series | MEAS M3200



Customers Also Bought



Documents

[CAD Files](#)

[3D PDF](#)

[3D](#)

[Customer View Model](#)

[ENG_CVM_CVM_10219837-00_H.2d_dxf.zip](#)

[English](#)



Customer View Model

[ENG_CVM_CVM_10219837-00_H.3d_igs.zip](#)

English

Customer View Model

[ENG_CVM_CVM_10219837-00_H.3d_stp.zip](#)

English

By downloading the CAD file I accept and agree to the [Terms and Conditions](#) of use.

Datasheets & Catalog Pages

[M3200 Pressure Transducer](#)

English