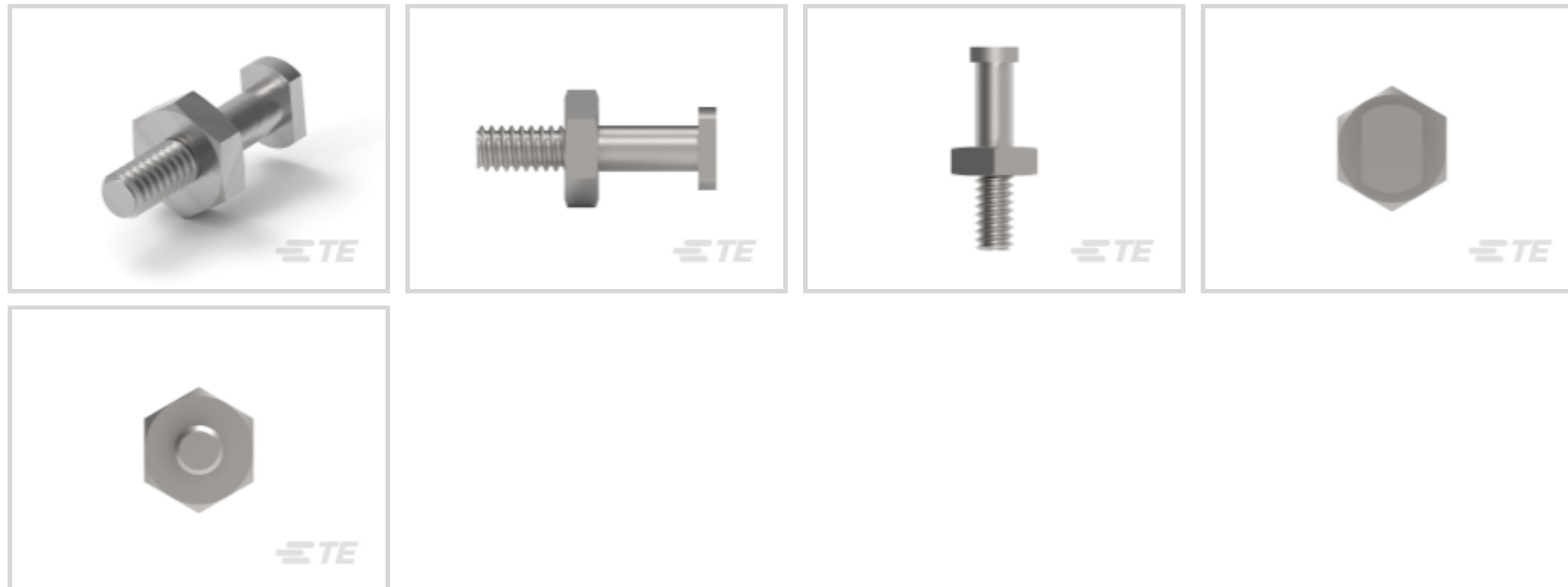




Connectors > PCB Connectors > Wire-to-Board Connectors > FFC, FPC & Ribbon Connectors > Ribbon Connector Accessories



Flat Flexible Cable Accessory Type: **Mounting Bolt & Nut**

### Features

#### Product Type Features

Flat Flexible Cable Accessory Type	Mounting Bolt & Nut
------------------------------------	---------------------

#### Packaging Features

Packaging Quantity	1
Packaging Method	Bag

#### Other

Connector Accessory Comment	2-56 bolts and nuts may be used to mount pin headers with and without latches. If latches are to be used, the bolts must be positioned in the pin header before the latches are installed., Comes in kit with 2 bolts and 2 nuts.
-----------------------------	---

### Product Compliance

[For compliance documentation, visit the product page on TE.com>](#)

EU RoHS Directive 2011/65/EU	Compliant
EU ELV Directive 2000/53/EC	Compliant
China RoHS 2 Directive MIIT Order No 32, 2016	No Restricted Materials Above Threshold
EU REACH Regulation (EC) No. 1907/2006	Current ECHA Candidate List: JUNE 2023 (235) Candidate List Declared Against: JUNE 2022 (224)

Does not contain REACH SVHC

Halogen Content

Low Halogen - Br, Cl, F, I < 900 ppm per homogenous material. Also BFR/CFR/PVC Free

Solder Process Capability

Not applicable for solder process capability

Product Compliance Disclaimer

This information is provided based on reasonable inquiry of our suppliers and represents our current actual knowledge based on the information they provided. This information is subject to change. The part numbers that TE has identified as EU RoHS compliant have a maximum concentration of 0.1% by weight in homogenous materials for lead, hexavalent chromium, mercury, PBB, PBDE, DBP, BBP, DEHP, DIBP, and 0.01% for cadmium, or qualify for an exemption to these limits as defined in the Annexes of Directive 2011/65/EU (RoHS2). Finished electrical and electronic equipment products will be CE marked as required by Directive 2011/65/EU. Components may not be CE marked. Additionally, the part numbers that TE has identified as EU ELV compliant have a maximum concentration of 0.1% by weight in homogenous materials for lead, hexavalent chromium, and mercury, and 0.01% for cadmium, or qualify for an exemption to these limits as defined in the Annexes of Directive 2000/53/EC (ELV). Regarding the REACH Regulation, the information TE provides on SVHC in articles for this part number is based on the latest European Chemicals Agency (ECHA) 'Guidance on requirements for substances in articles' posted at this URL: <https://echa.europa.eu/guidance-documents/guidance-on-reach>

## Compatible Parts



TE Part # CAT-AM74-UN384H  
AMP-LATCH UNIVERSAL HEADERS

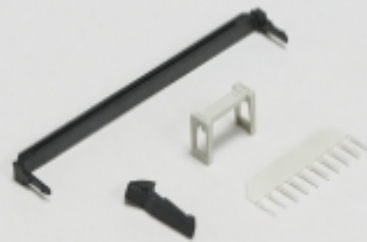


TE Part # 746383-1  
A/L MT SCREW

## Also in the Series | AMP-LATCH Universal Headers



Ribbon Cable Connectors(525)

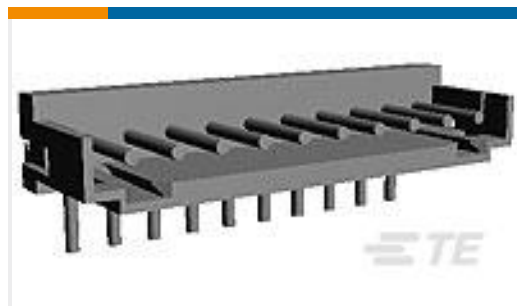


Ribbon Connector Accessories(13)

## Customers Also Bought



TE Part #640453-2  
02P MTA100 HDR ASSY SQ R/A



TE Part #292253-3  
CT CONN MT HDR ASSY H 3P NAT



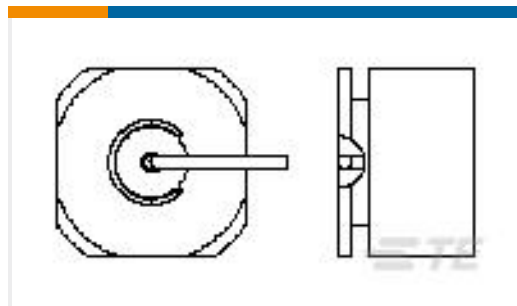
TE Part #1-5102154-0  
A/L UNIV HDR 50P VERT



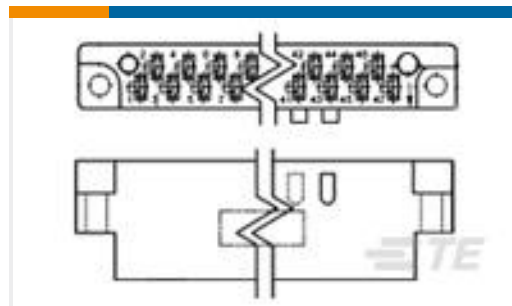
TE Part #5050462-2  
SOCKET,MIN-SPR W/H SN-AU SER-2



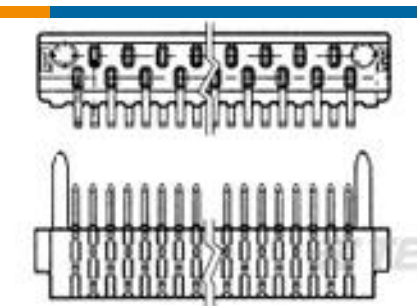
TE Part #1410326-3  
MULTIGIG RT T2 7RW DC DF CT



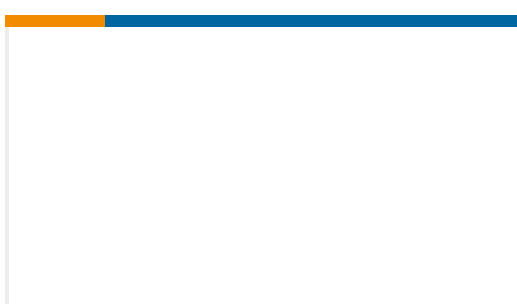
TE Part #1757254-1  
SMPM SURFACE MOUNT



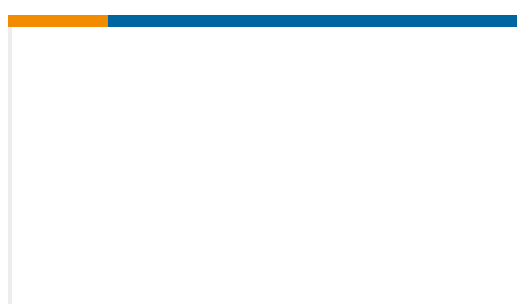
TE Part #5-582151-5  
41 AMP BLADE RCPT HSG/MIL



TE Part #1-582843-2  
41 AMP BLADE HDR ASSY/MIL



TE Part #1-1618412-5  
HC-3/S32=RELAY, VACUUM, SPDT



TE Part #8-1618412-9  
KC-28/S7=RELAY, PRESSURIZED

## Documents

### Product Drawings

[A/L HARDWARE FOR EJECTION KIT](#)

English

### CAD Files

[3D PDF](#)

3D

Customer View Model

[ENG\\_CVM\\_CVM\\_102198-1\\_B.2d\\_dxf.zip](#)

English

Customer View Model

[ENG\\_CVM\\_CVM\\_102198-1\\_B.3d\\_igs.zip](#)

English

Customer View Model

[ENG\\_CVM\\_CVM\\_102198-1\\_B.3d\\_stp.zip](#)

English

By downloading the CAD file I accept and agree to the [Terms and Conditions](#) of use.

### Datasheets & Catalog Pages



[AMPMODU\\_INTERCONNECTION\\_SYSTEM\\_SECTION5](#)

English

[Ribbon Cable Interconnect Solutions](#)

English

---

[Product Specifications](#)

[Application Specification](#)

English

---

[Agency Approvals](#)

[Agency Approval Document](#)

English