



Sensors > Pressure Sensors > Pressure Transducers



Pressure Transducer Sensor Type: **Low Cost Pressure Transducer**

Pressure Range: **0 – 10 bar**

Pressure Type: **Gauge**

Pressure Transducer Supply Voltage: **9 – 30 V**

Output/Span: **4 – 20 mA**

Features

Product Type Features

| | |
|---------------------------------|------------------------------|
| Pressure Transducer Sensor Type | Low Cost Pressure Transducer |
| Pressure Type | Gauge |

Configuration Features

| | |
|-----------------------|-------------|
| Electrical Connection | Cable 1 m |
| Pressure Port/Fitting | 1/4-19 BSPT |

Electrical Characteristics

| | |
|------------------------------------|----------|
| Pressure Transducer Supply Voltage | 9 – 30 V |
|------------------------------------|----------|

Dimensions

| | |
|------------|---|
| Dimensions | 22.25 x 22.25 x 53.34 mm [.875 x .875 x 2.1 in] |
|------------|---|

Usage Conditions

| | |
|-----------------------------|-----------------------------|
| Pressure | 10 bar [145.03 psi] |
| Operating Temperature Range | -40 – 125 °C [-40 – 257 °F] |

Operation/Application

| | |
|----------------------|------------|
| Proof Pressure Range | 2X Rated |
| Pressure Range | 0 – 10 bar |
| Output/Span | 4 – 20 mA |
| Pressure Accuracy | ±0.25% FSO |

Other



| | |
|----------------|----------------------------|
| Sensor Options | Adhesive Label, No Snubber |
|----------------|----------------------------|

Product Compliance

[For compliance documentation, visit the product page on TE.com>](#)

| | |
|---|---|
| EU RoHS Directive 2011/65/EU | Compliant with Exemptions |
| EU ELV Directive 2000/53/EC | Compliant with Exemptions |
| China RoHS 2 Directive MIIT Order No 32, 2016 | Restricted Materials Above Threshold |
| EU REACH Regulation (EC) No. 1907/2006 | <p>Current ECHA Candidate List: JUNE 2023 (235)</p> <p>Candidate List Declared Against: JUNE 2022 (224)</p> <p>SVHC > Threshold:</p> <p>Decamethylcyclopentasiloxane (D5) (.12% in Component Part)</p> <p>Dodecamethylcyclohexasiloxane (D6) (.26% in Component Part)</p> <p>Article Safe Usage Statements: Wash thoroughly after handling. Recycle if possible and dispose of the article by following all applicable governmental regulations relevant to your geographic location.</p> |

| | |
|---------------------------|--|
| Halogen Content | Not Yet Reviewed for halogen content |
| Solder Process Capability | Not reviewed for solder process capability |

Product Compliance Disclaimer

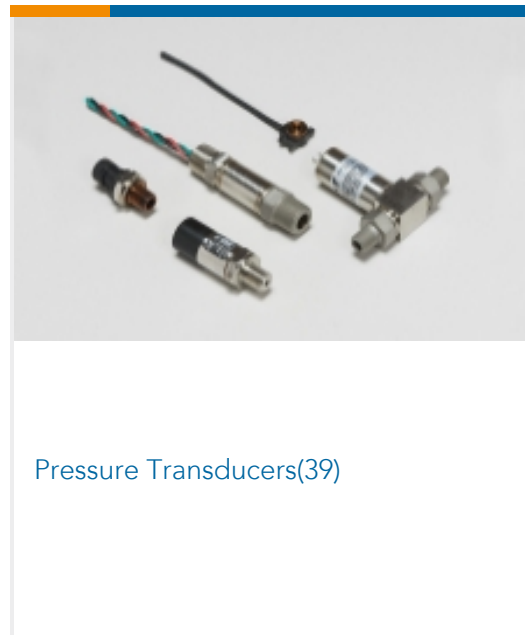
This information is provided based on reasonable inquiry of our suppliers and represents our current actual knowledge based on the information they provided. This information is subject to change. The part numbers that TE has identified as EU RoHS compliant have a maximum concentration of 0.1% by weight in homogenous materials for lead, hexavalent chromium, mercury, PBB, PBDE, DBP, BBP, DEHP, DIBP, and 0.01% for cadmium, or qualify for an exemption to these limits as defined in the Annexes of Directive 2011/65/EU (RoHS2). Finished electrical and electronic equipment products will be CE marked as required by Directive 2011/65/EU. Components may not be CE marked. Additionally, the part numbers that TE has identified as EU ELV compliant have a maximum concentration of 0.1% by weight in homogenous materials for lead, hexavalent chromium, and mercury, and 0.01% for cadmium, or qualify for an exemption to these limits as defined in the Annexes of Directive 2000/53/EC (ELV). Regarding the REACH Regulation, the information TE provides on SVHC in articles for this part number is based on the latest European Chemicals Agency (ECHA) 'Guidance on requirements for substances in articles' posted at this URL: <https://echa.europa.eu/guidance-documents/guidance-on-reach>

Compatible Parts

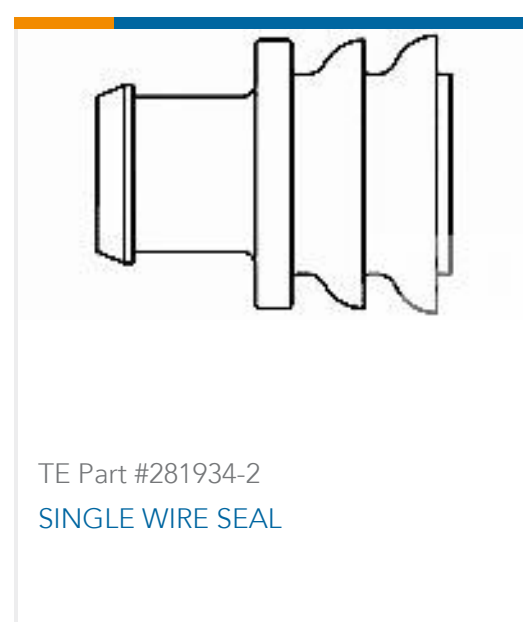
| | | | |
|--|---|--|--|
|  <p>TE Part # 10218849-00 PRESS XDCR M323M-00000E-010BG</p> |  <p>TE Part # 20004647-00 PRESS XDCR M325M-000005-016BG</p> |  <p>TE Part # 20010080-00 PRESS XDCR M325M-000005-100PG</p> |  <p>TE Part # 20014203-12 PRESS XDCR M325M-000005-250PG</p> |
|--|---|--|--|



Also in the Series | MEAS M3200



Customers Also Bought



Documents

[CAD Files](#)

[3D PDF](#)

[3D](#)

[Customer View Model](#)

[ENG_CVM_CVM_10218853-00_H.2d_dxf.zip](#)

English



Customer View Model

[ENG_CVM_CVM_10218853-00_H.3d_igs.zip](#)

English

Customer View Model

[ENG_CVM_CVM_10218853-00_H.3d_stp.zip](#)

English

By downloading the CAD file I accept and agree to the [Terms and Conditions](#) of use.

Datasheets & Catalog Pages

[M3200 Pressure Transducer](#)

English