



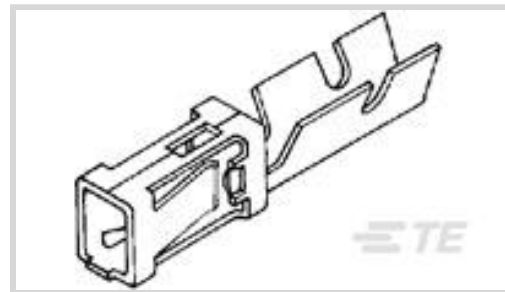
AMPMODU | AMPMODU MOD 1

TE Internal #: 102103-3

Connector Contact, Socket, .15 in [3.81 mm] Centerline, Tin, 22 – 18 AWG Wire Size, .3 – .9 mm² Wire Size, Straight, Wire & Cable, 5 A, AMPMODU MOD 1

[View on TE.com >](#)

Connectors > PCB Connectors > Board-to-Board Connectors > Board-to-Board Connector Contacts



Contact Type: **Socket**

Centerline (Pitch): **3.81 mm [.15 in]**

Contact Mating Area Plating Material: **Tin**

Wire Size: **.3 – .9 mm²**

Features

Product Type Features

| | |
|-----------------------------------|--------------|
| Applied Pressure | Standard |
| Connector & Contact Terminates To | Wire & Cable |

Electrical Characteristics

| | |
|---------------------------------------|----------|
| Dielectric Withstanding Voltage (Max) | 1200 VAC |
| Insulation Resistance | 5000 MΩ |
| Contact Resistance | 12 mΩ |

Contact Features

| | |
|---|------------------|
| PCB Contact Termination Area Plating Material Thickness | .4064 μm[16 μin] |
| Contact Mating Area Plating Material Thickness | .4064 μm[16 μin] |
| PCB Contact Termination Area Plating Material | Tin |
| Contact Base Material | Phosphor Bronze |
| Contact Type | Socket |
| Contact Mating Area Plating Material | Tin |
| Contact Orientation | Straight |
| Contact Current Rating (Max) | 5 A |

Mechanical Attachment

| | |
|-------------------------|---------|
| Wire Insulation Support | With |
| PCB Mount Retention | Without |

Housing Features



| | |
|--------------------|------------------|
| Centerline (Pitch) | 3.81 mm [.15 in] |
|--------------------|------------------|

Dimensions

| | |
|--------------------------------------|-------------------------------|
| Compatible Insulation Diameter Range | 1.3 – 2.29 mm [.051 – .09 in] |
| Wire Size | .3 – .9 mm ² |

Usage Conditions

| | |
|-----------------------------|-----------------------------|
| Operating Temperature Range | -65 – 105 °C [-85 – 221 °F] |
|-----------------------------|-----------------------------|

Operation/Application

| | |
|---------------------|--------|
| Circuit Application | Signal |
|---------------------|--------|

Packaging Features

| | |
|--------------------|-------------|
| Packaging Quantity | 1000 |
| Packaging Method | Loose Piece |

Other

| | |
|----------------------------|---|
| Connector Contacts Comment | Applicators also available for AMPOMATOR Lead Making Machines and Stripper/Crimper Machines. Consult AMP, Inc., Part No. 843473-1 is an extraction tool for the Crimp Snap-In contacts. |
|----------------------------|---|

Product Compliance

[For compliance documentation, visit the product page on TE.com>](#)

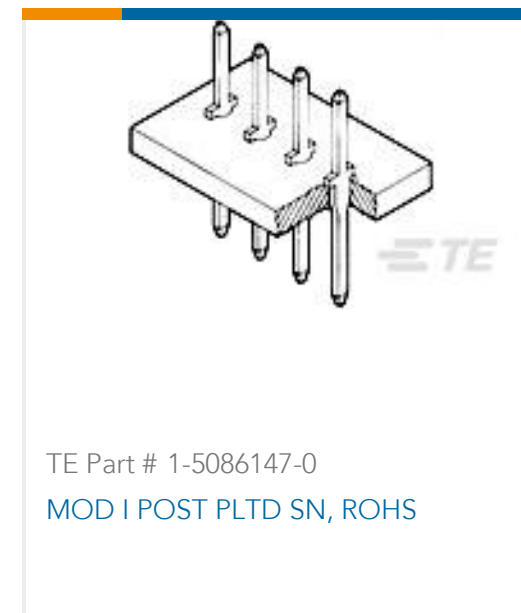
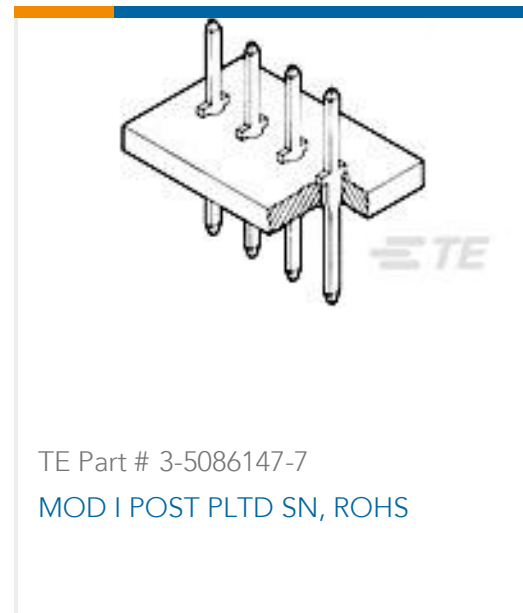
| | |
|---|---|
| EU RoHS Directive 2011/65/EU | Compliant |
| EU ELV Directive 2000/53/EC | Compliant |
| China RoHS 2 Directive MIIT Order No 32, 2016 | No Restricted Materials Above Threshold |
| EU REACH Regulation (EC) No. 1907/2006 | Current ECHA Candidate List: JUNE 2023 (235) Candidate List Declared Against: JUNE 2023 (235) Does not contain REACH SVHC |
| Halogen Content | Low Halogen - Br, Cl, F, I < 900 ppm per homogenous material. Also BFR/CFR/PVC Free |
| Solder Process Capability | Wave solder capable to 265°C |

Product Compliance Disclaimer

This information is provided based on reasonable inquiry of our suppliers and represents our current actual knowledge based on the information they provided. This information is subject to change. The part numbers that TE has identified as EU RoHS compliant have a maximum concentration of 0.1% by weight in homogenous materials for lead, hexavalent chromium, mercury, PBB, PBDE, DBP, BBP, DEHP, DIBP, and 0.01% for cadmium, or qualify for an exemption to these

limits as defined in the Annexes of Directive 2011/65/EU (RoHS2). Finished electrical and electronic equipment products will be CE marked as required by Directive 2011/65/EU. Components may not be CE marked. Additionally, the part numbers that TE has identified as EU ELV compliant have a maximum concentration of 0.1% by weight in homogenous materials for lead, hexavalent chromium, and mercury, and 0.01% for cadmium, or qualify for an exemption to these limits as defined in the Annexes of Directive 2000/53/EC (ELV). Regarding the REACH Regulation, the information TE provides on SVHC in articles for this part number is based on the latest European Chemicals Agency (ECHA) 'Guidance on requirements for substances in articles' posted at this URL: <https://echa.europa.eu/guidance-documents/guidance-on-reach>

Compatible Parts





TE Part # 1-87025-0
09 MODI CRMP S-I HSG SR .156CL



TE Part # 1-87025-1
12 MODI CRMP S-I HSG SR MRKD

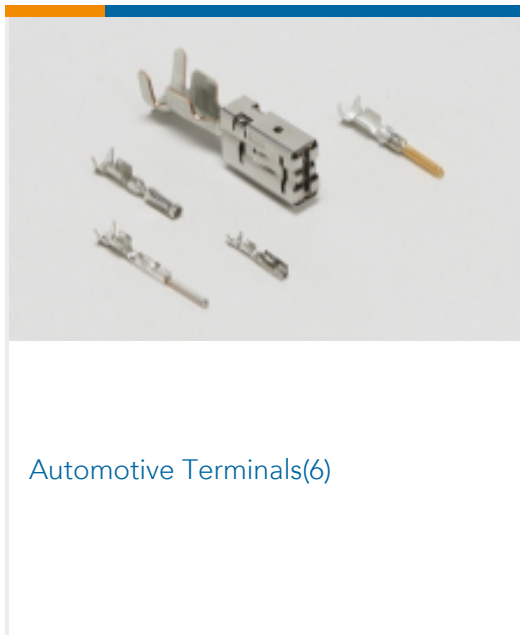


TE Part # 1-87025-3
04 MODI CRMP S-I HSG SR .156CL

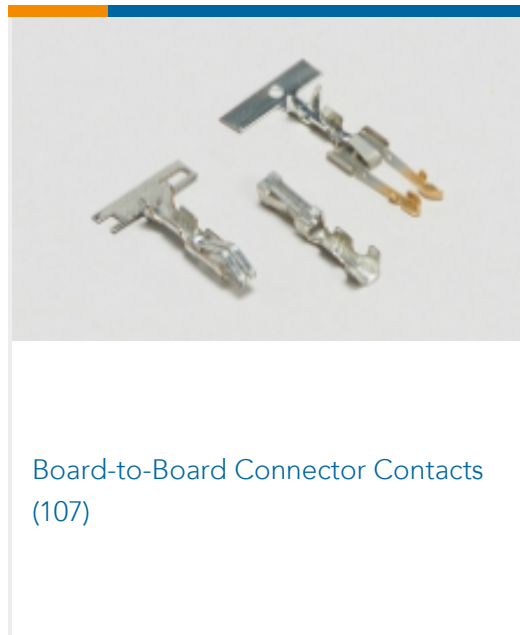


TE Part # 1-87025-8
10 MODI CRMP S-I HSG SR .156CL

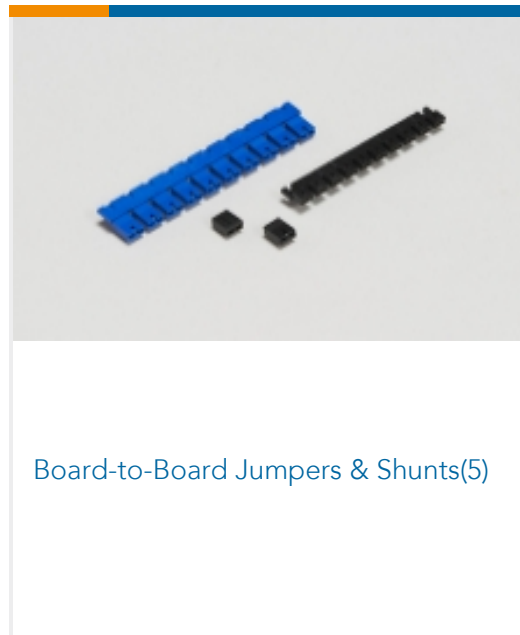
Also in the Series | AMPMODU MOD 1



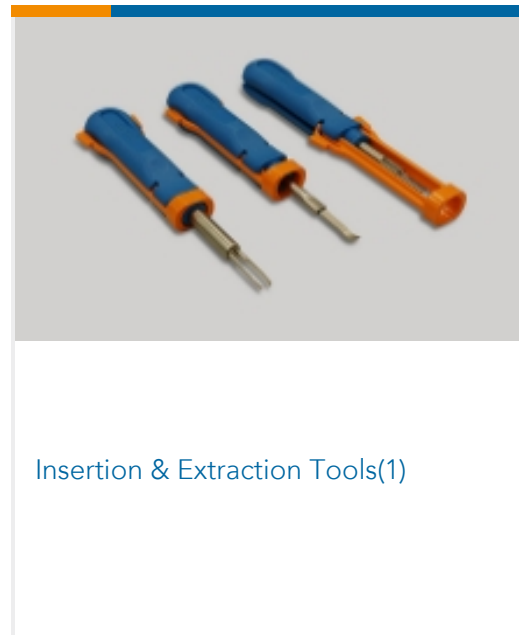
Automotive Terminals(6)



Board-to-Board Connector Contacts
(107)



Board-to-Board Jumpers & Shunts(5)



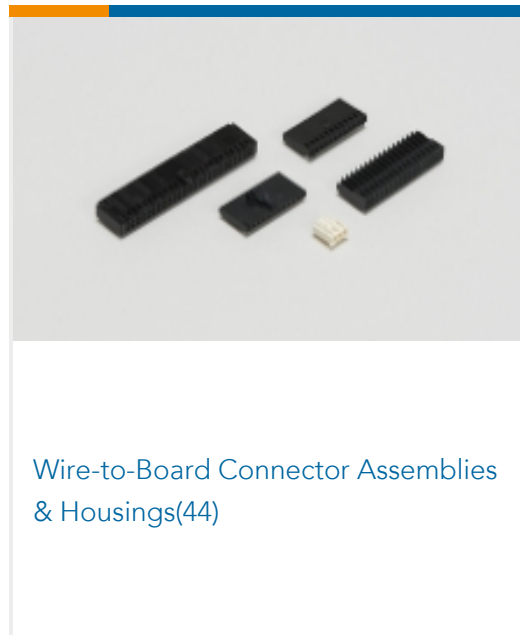
Insertion & Extraction Tools(1)



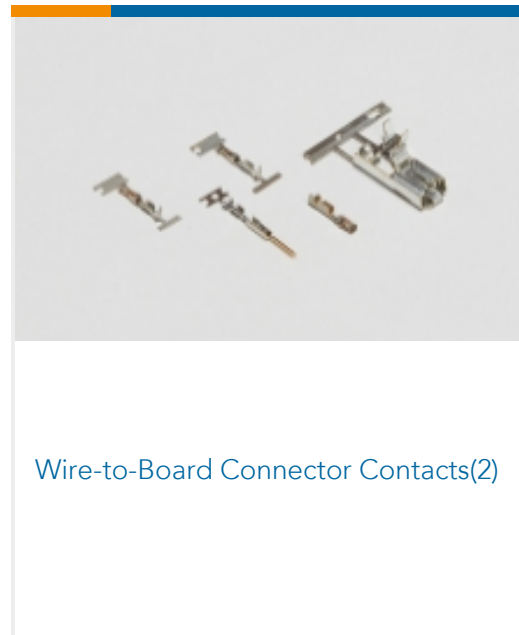
PCB Connector Keying(2)



PCB Headers & Receptacles(358)

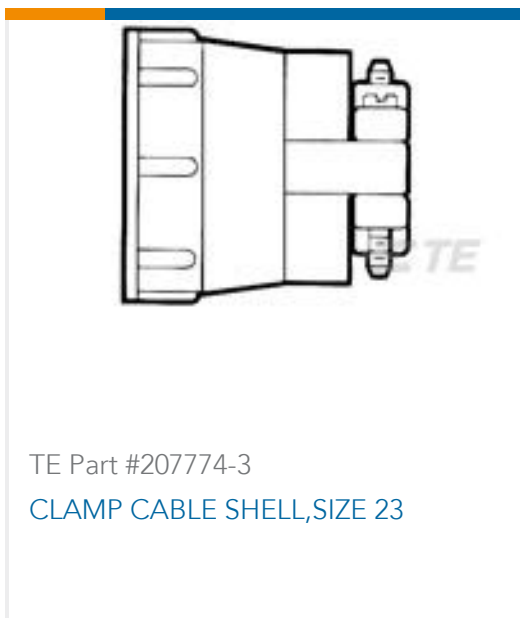


Wire-to-Board Connector Assemblies
& Housings(44)



Wire-to-Board Connector Contacts(2)
& Housings(44)

Customers Also Bought



TE Part #207774-3
CLAMP CABLE SHELL,SIZE 23



TE Part #5-534998-7
14 MODIV VRT DR CE 100/125



TE Part #1825612-1
B1440004=Boot,Toggle



TE Part #2-320576-1
PIDG Ring Tongue Terminals



TE Part #3-640443-2
02P MTA100 CONN ASSY GRN



TE Part #11103077-00
10000 PSI, 1/4MNPT, 10 mV/V, Cable,
2ft.



TE Part #1617030-2
HFW1201B00 = HFW 1/2 SIZE RELA



TE Part #3-1618389-7
LEV100A4ANG=RELAY, 12Vdc SPST-
NO



Documents

CAD Files

[3D PDF](#)

3D

Customer View Model

[ENG_CVM_CVM_102103-3_W.2d_dxf.zip](#)

English

Customer View Model

[ENG_CVM_CVM_102103-3_W.3d_igs.zip](#)

English

Customer View Model

[ENG_CVM_CVM_102103-3_W.3d_stp.zip](#)

English

By downloading the CAD file I accept and agree to the [Terms and Conditions](#) of use.

Datasheets & Catalog Pages

[AMPMODU_INTERCONNECTION_SYSTEM_SECTION_6_7AND8](#)

English

Product Specifications

[Application Specification](#)

English

[AMPMODU Mod I Receptacle Crimp Contact](#)

English

Instruction Sheets

[Instruction Sheet \(U.S.\)](#)

English