



MEAS | MEAS U5600

TE Internal #: 10202024-00

TE Internal Description: PRESS XDCC U5600-000005-300PA

0.1% Wireless Pressure Transducer

[View on TE.com >](#)

Sensors > Pressure Sensors > Pressure Transducers > 0.1% Wireless Pressure Transducer



Pressure Transducer Sensor Type: **Wireless Pressure Transducer**

Pressure Range: **0 – 300 psi**

Pressure Type: **Absolute**

Pressure Transducer Supply Voltage: **2.7 V**

Output/Span: **Bluetooth**

[All 0.1% Wireless Pressure Transducer \(7\)](#)

## Features

### Product Type Features

Pressure Transducer Sensor Type	Wireless Pressure Transducer
Pressure Type	Absolute

### Configuration Features

Electrical Connection	No Connector
Pressure Port/Fitting	1/4 MNPT

### Electrical Characteristics

Pressure Transducer Supply Voltage	2.7 V
------------------------------------	-------

### Dimensions

Dimensions	24 x 24 x 69 mm [.94 x .94 x 2.71 in]
------------	---------------------------------------

### Usage Conditions

Pressure	20 bar [300 psi]
Operating Temperature Range	-20 – 85 °C [-4 – 185 °F]

### Operation/Application

Proof Pressure Range	3X Rated
Pressure Range	0 – 300 psi
Output/Span	Bluetooth



Pressure Accuracy

±0.1% FSO

**Other**

Sensor Options

IP67 Protection

**Product Compliance**

[For compliance documentation, visit the product page on TE.com>](#)

EU RoHS Directive 2011/65/EU

Compliant

EU ELV Directive 2000/53/EC

Out of Scope

China RoHS 2 Directive MIIT Order No 32, 2016

No Restricted Materials Above Threshold

EU REACH Regulation (EC) No. 1907/2006

Current ECHA Candidate List: JUNE 2023 (235)  
Candidate List Declared Against: JAN 2021 (211)  
Does not contain REACH SVHC

Halogen Content

Not Yet Reviewed for halogen content

Solder Process Capability

Not reviewed for solder process capability

**Product Compliance Disclaimer**

This information is provided based on reasonable inquiry of our suppliers and represents our current actual knowledge based on the information they provided. This information is subject to change. The part numbers that TE has identified as EU RoHS compliant have a maximum concentration of 0.1% by weight in homogenous materials for lead, hexavalent chromium, mercury, PBB, PBDE, DBP, BBP, DEHP, DIBP, and 0.01% for cadmium, or qualify for an exemption to these limits as defined in the Annexes of Directive 2011/65/EU (RoHS2). Finished electrical and electronic equipment products will be CE marked as required by Directive 2011/65/EU. Components may not be CE marked. Additionally, the part numbers that TE has identified as EU ELV compliant have a maximum concentration of 0.1% by weight in homogenous materials for lead, hexavalent chromium, and mercury, and 0.01% for cadmium, or qualify for an exemption to these limits as defined in the Annexes of Directive 2000/53/EC (ELV). Regarding the REACH Regulation, the information TE provides on SVHC in articles for this part number is based on the latest European Chemicals Agency (ECHA) 'Guidance on requirements for substances in articles' posted at this URL: <https://echa.europa.eu/guidance-documents/guidance-on-reach>

**Compatible Parts**

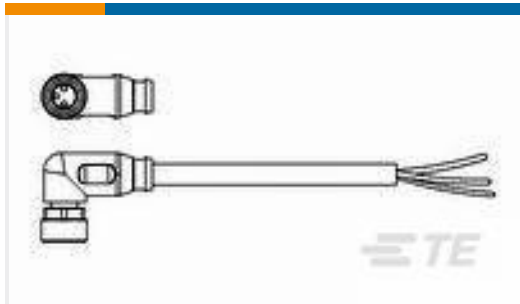


**Also in the Series | MEAS U5600**

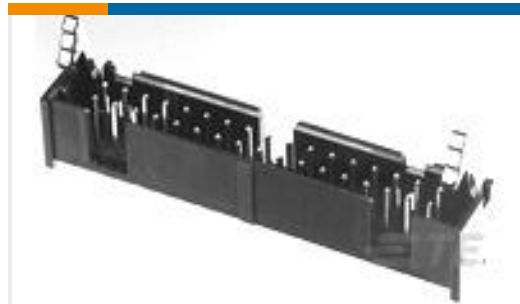


Pressure Transducers(7)

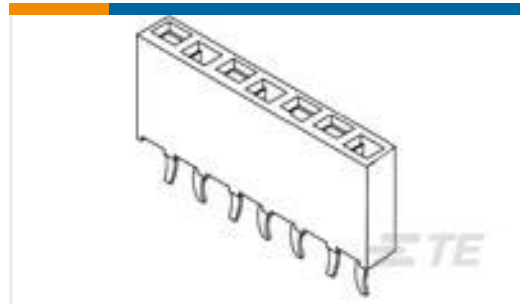
## Customers Also Bought



TE Part #1-2273009-1  
M8 x 1.0 Angled socket Pigtail



TE Part #1761608-7  
IDC LOW PRO HDR 20P VERT SHT L



TE Part #215297-7  
7P HV100 REC CON. TE, 7.0MM



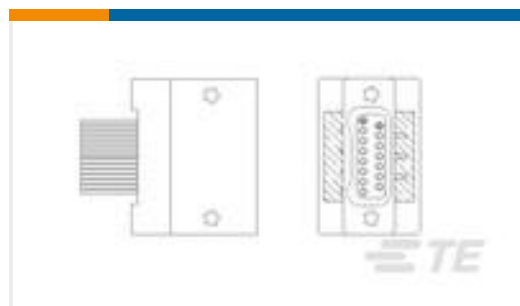
TE Part #5-103639-3  
04 MTE HDR SRST LATCH .100CL



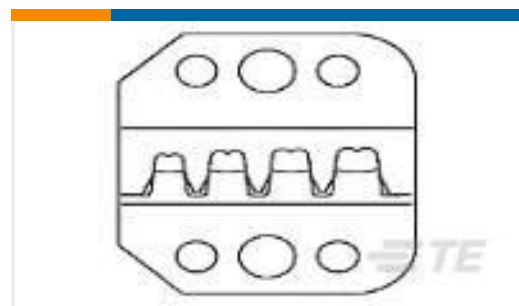
TE Part #1825910-7  
FSM4JAH=6MM TACT SWITCH, HIGH TEMP



TE Part #1-881545-2  
AMP SHUNT ASS'Y



TE Part #1589743-4  
STM03711816M5TQ = THRU-HOLE



TE Part #58525-2  
PROCIMPER DIE



TE Part #10219837-00  
PRESS XDCR M3256-00000E-007BG



TE Part #10214516-00  
PRESS XDCR M5852-000005-500PG

## Documents

[CAD Files](#)

[3D PDF](#)

[3D](#)

[Customer View Model](#)

[ENG\\_CVM\\_CVM\\_10202024-00\\_C.2d\\_dxf.zip](#)

[English](#)

[Customer View Model](#)

[ENG\\_CVM\\_CVM\\_10202024-00\\_C.3d\\_igs.zip](#)



English

### Customer View Model

[ENG\\_CVM\\_CVM\\_10202024-00\\_C.3d\\_stp.zip](#)

English

By downloading the CAD file I accept and agree to the [Terms and Conditions](#) of use.

---

### Datasheets & Catalog Pages

[U5600](#)

English

---

### Product Specifications

[Purchase Specification](#)

English